



CATALOG OF REPLACEMENT PARTS

SX SERIES RANGE

SX24
SX36
SX60
SX60F



SX60F

TECHNICAL SERVICE AND PARTS ASSISTANCE 1-800-814-2028

Vulcan is a division of ITW Food Equipment Group | 3600 North Point Blvd., Baltimore, MD 21222

F-51051 (03-23)

TABLE OF CONTENTS

3	ORIFICE CHART
4	DOOR
6	BACKSPLASH, SHELF, AND PANELS
8	OVEN
10	OTB, OVEN TUBING
12	GRIDDLE

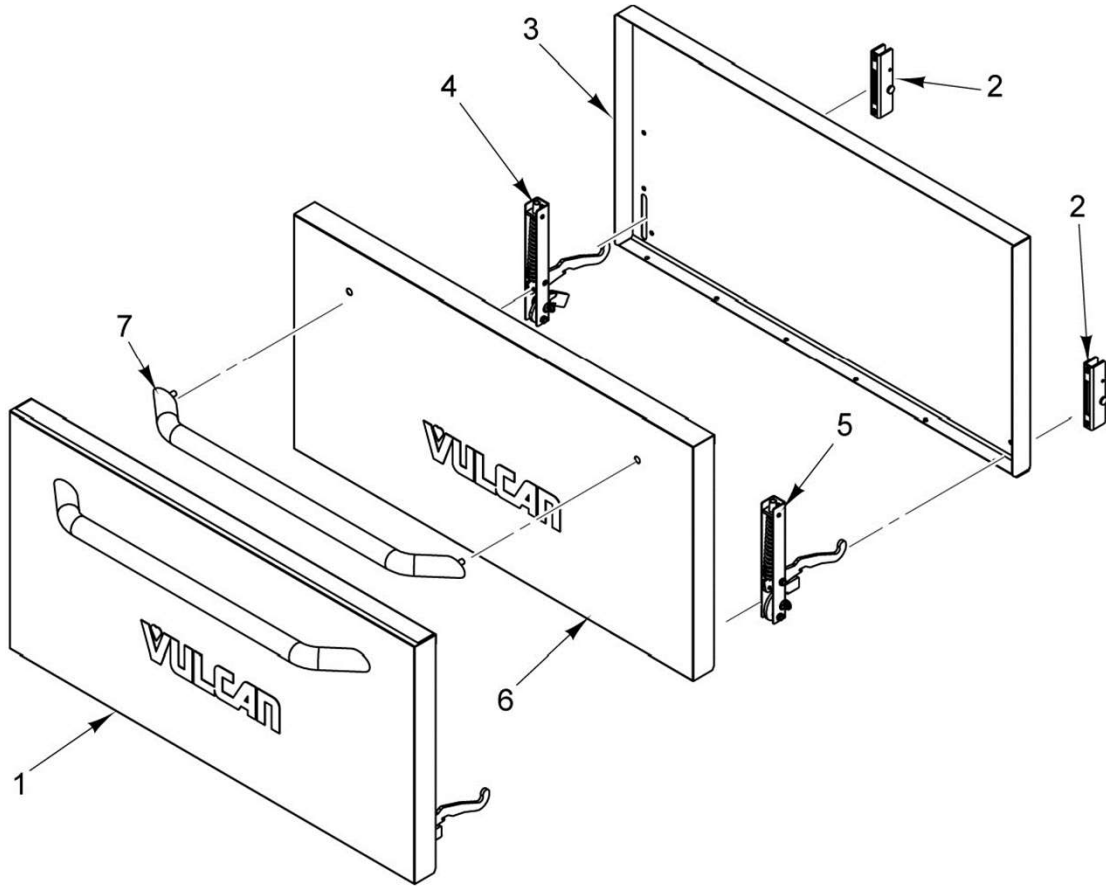
00-010901-000XX SPUDS
 00-962685 HOOD FITTING (USE WITH SPUD)
 00-922451-000XX HOOD ORIFICE

ORIFICE SIZE AT ALTITUDE (IN FEET)

	BTU	0-2000		2000-4000		4000-6000		6000-8000		8000-10000	
		NAT	PRO	NAT	PRO	NAT	PRO	NAT	PRO	NAT	PRO
OVEN	30000	37	50	37	52	38	52	39	53	40	53
OTB	28000	39	52	41	53	42	53	42	54	43	54
GRIDDLE	15000	49	56	50	56	50	57	51	58	52	59

NOTE: SX HOOD ORIFICES AND HOOD FITTING USE NPT THREADS AND ARE ONLY COMPATIBLE WITH SX VALVES/NOZZLES. SPUD TIPS ARE UNIVERSAL 16-36 THREADS COMPATIBLE WITH ALL HOOD FITTINGS

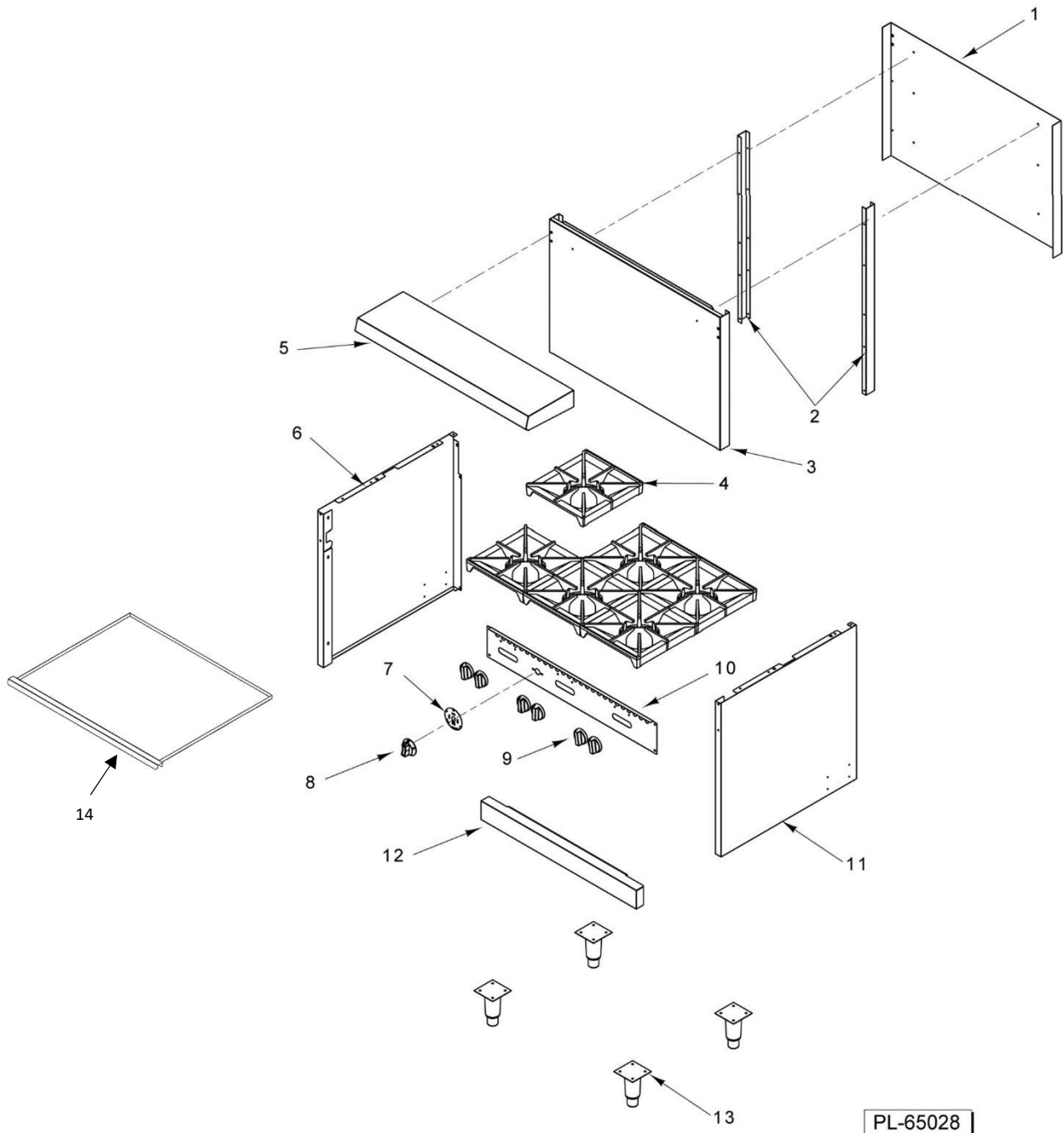
ORIFICE CHART



DOOR

DOOR

ITEM	PART NO.	DESCRIPTION	SX24	SX36	SX60/60F
1	00-922490-0024A	DOOR ASSY, 24	1		
1	00-922490-0036A	DOOR ASSY, 36		1	
1	00-922490-0060A	DOOR ASSY, 60			2
2	00-961331-00003	STOP - DOOR HINGE	2	2	4
3	00-922447-00024	LINER, 24	1		
3	00-922447-00036	LINER, 36		1	
3	00-922447-00060	LINER, 60			2
4	00-961331-00002	HINGE - LH DOOR	1	1	2
5	00-961331-00001	HINGE - RH DOOR	1	1	2
6	00-922441-00024	PANEL, 24	1		
6	00-922441-00036	PANEL, 36		1	
6	00-922441-00060	PANEL, 60			2
7	00-922423	HANDLE - DOOR	1	1	2



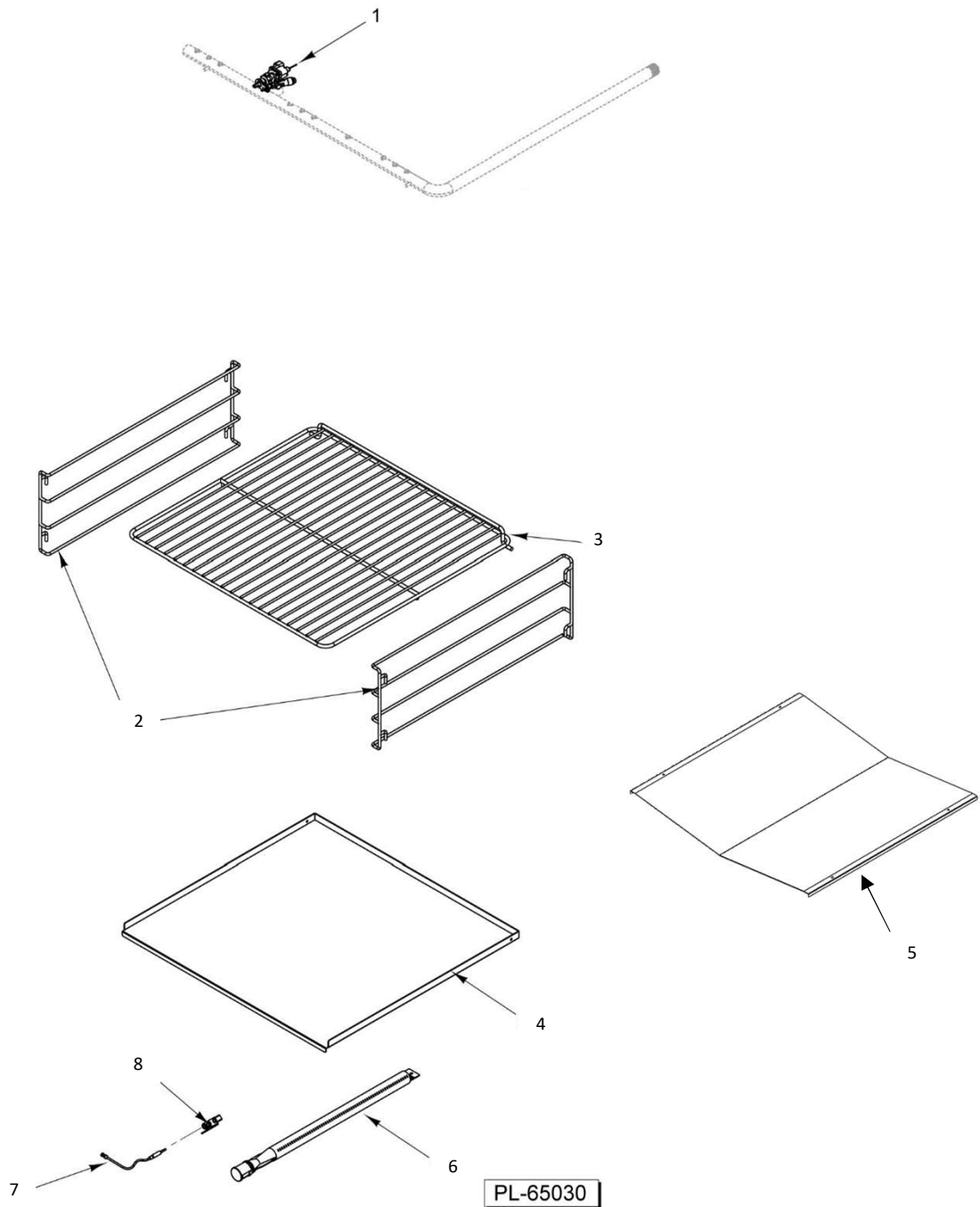
PL-65028

BACKSPLASH, SHELF, AND PANELS

BACKSPLASH, SHELF, AND PANELS

ITEM	PART NO.	DESCRIPTION	SX24	SX36	SX60/60F
1	00-922481	RISER - BACK PANEL, 24	1		
1	00-922436-00036	RISER - BACK PANEL, 36		1	
1	00-922436-00060	RISER - BACK PANEL, 60			1
2	00-922438	SUPPORT	2	2	3
3	00-922480	RISER - FRONT PANEL, 24	1		
3	00-922437-00036	RISER - FRONT PANEL, 36		1	
3	00-922437-00060	RISER - FRONT PANEL, 60			1
4	00-925000	GRATE	4	6	AR
5	00-922482	SHELF, 24	1		
5	00-922439-00036	SHELF, 36		1	
5	00-922439-00060	SHELF, 60			1
6	00-922494	PANEL - LH, 24	1		
6	00-922440-00002	PANEL - LH, 36		1	
6	00-922442-00002	PANEL - LH, 60			1
7	00-922421	PLATE - DIAL	1	1	2
8*	00-961412*	KNOB - OVEN	1	1	2
9	00-961411	KNOB - OTB	4	6	AR
10	00-922478	PANEL - FRONT, 24	1		
10	00-922446-00036	PANEL - FRONT, 36		1	
10	00-922446-00060	PANEL - FRONT, 60			AR
10	00-922446-0060F	PANEL - FRONT, 60F			AR
11	00-922493	PANEL - RH, 24	1		
11	00-922440-00001	PANEL - RH, 36		1	
11	00-922442-00001	PANEL - RH, 60			1
12	00-922483	KICK PANEL, 24	1		
12	00-922435-00036	KICK PANEL, 36		1	
12	00-922435-00060	KICK PANEL, 60			2
13	00-413112-00012	LEG - LPATE MOUNT	4	4	6
14	00-922431-00024	CRUMB TRAY, 24	1		
14	00-922431	CRUMB TRAY, 36		1	
14	00-922432	CRUMB TRAY, 60			2

* MUST ALSO ORDER PART NUMBER 00-922448 KNOB CORE INSERT



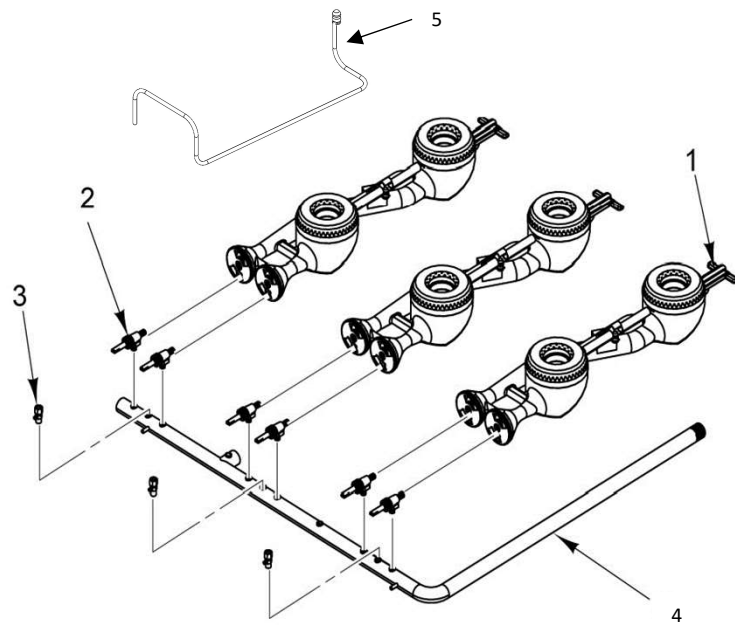
OVEN

OVEN

ITEM	PART NO.	DESCRIPTION	SX24	SX36	SX60/60F
1	00-961330	THERMOSTAT	1	1	2
2	00-922425	RACK SUPPORT - OVEN	2	2	4
3	00-922424-00024	RACK - OVEN, 24	1		
3	00-922424	RACK - OVEN, 36		1	2
4	00-922429-00024	TRAY - OVEN, 24	1		
4	00-922429	TRAY - OVEN, 36		1	2
5	962617-1	V-BAFFLE, 24	1		
5	962617-2	V-BAFFLE, 36		1	2
6	00-961332	BURNER	1	1	2
7	00-412788-00060	THERMOCOUPLE, 60IN	1	1	2
8	00-412787-00001	PILOT - NAT (#18) (BEFORE MAY 2021)	AR	AR	AR
8	00-412787-00002	PILOT - PRO (BEFORE NOV 2021)	AR	AR	AR
8	00-412787-00003*	PILOT - NAT (#16) (MAY-NOV 2021)	AR	AR	AR
8	00-922452-00002**	PILOT - PRO, 6MM (STARTING NOV 2021)	AR	AR	AR
8	00-922452-00003**	PILOT - NAT (#16), 6MM (STARTING NOV 2021)	AR	AR	AR

* FIRST SERIAL NUMBER USING #16 NAT ORIFICE: VE0003723 MAY 2021

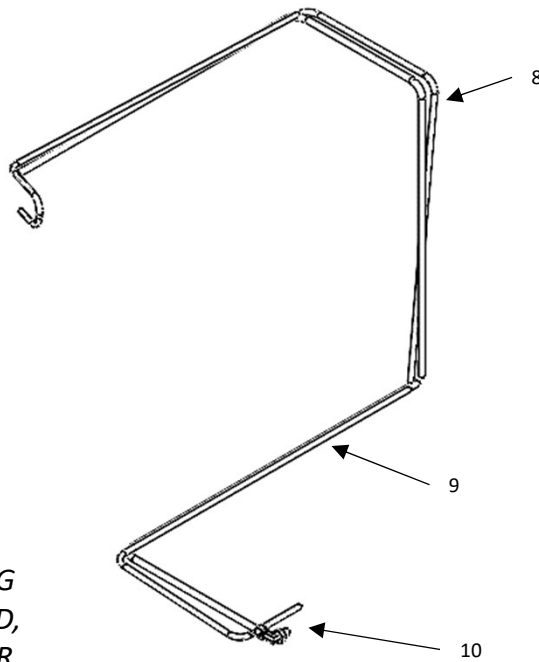
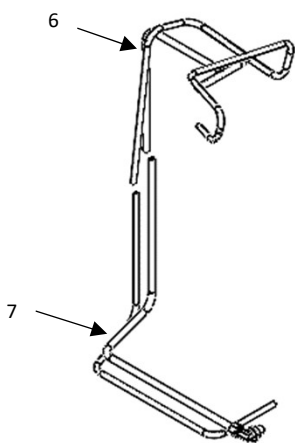
**FIRST SERIAL NUMBER USING METRIC 6MM PILOTS: VE0005700 NOV 2021



OTB

LEFT / SINGLE T-STAT OVENS

RIGHT OVENS



8MM FITTINGS (ITEMS 11-17) NOT SHOWN

NOTE: PILOT TUBING (6MM) NOT LABELED, ONLY MAIN BURNER TUBING (8MM)

OVEN TUBING

OTB, OVEN TUBING

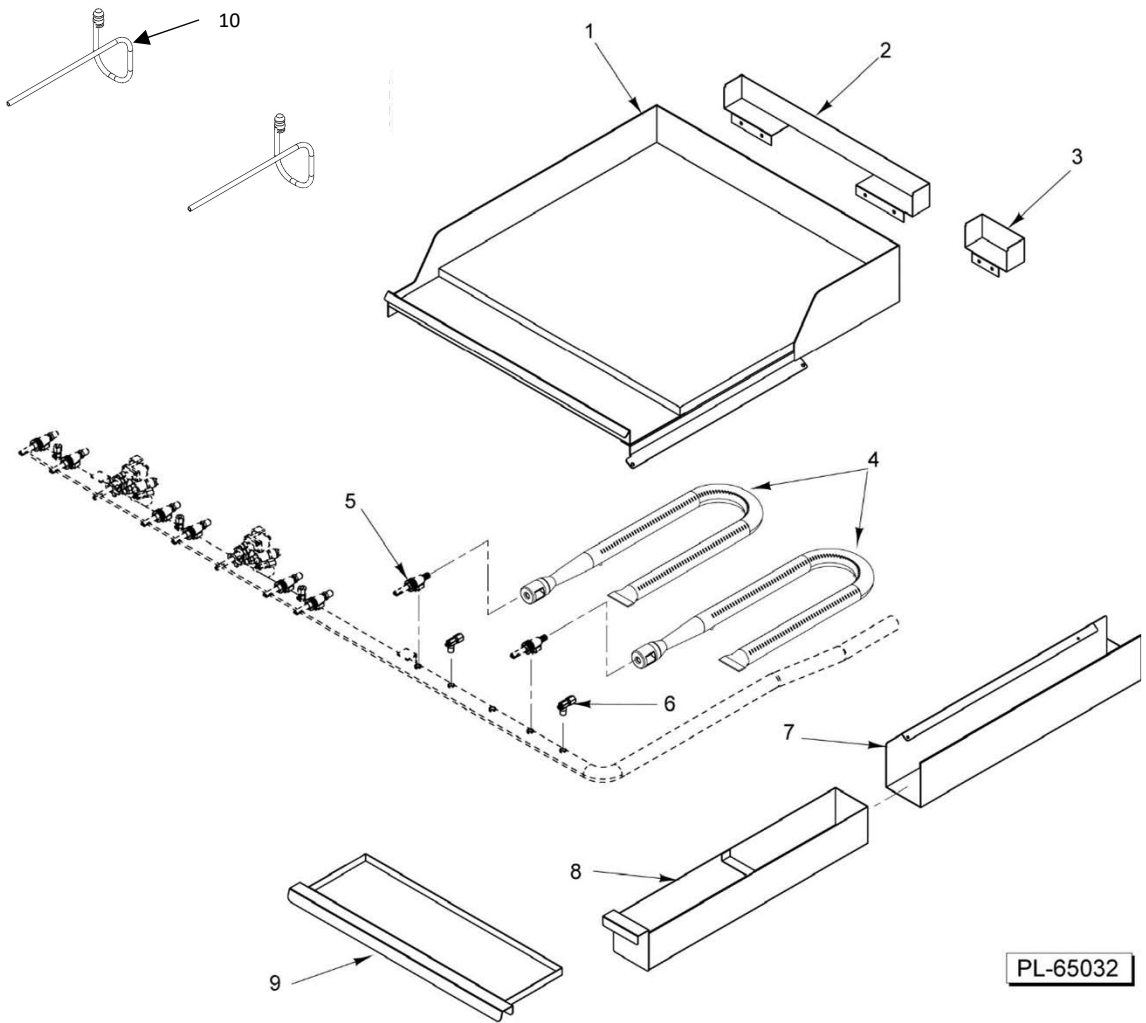
ITEM	PART NO.	DESCRIPTION	SX24	SX36	SX60/60F
1	00-928014-0000A	VENTURI	2	3	AR
2	00-961329	VALVE	4	6	AR
3	00-922422	VALVE - PILOT OTB	2	3	AR
4		MANIFOLD, 24	1		
4	00-922427	MANIFOLD, 36		1	
4	00-922428	MANIFOLD, 60			AR
4	00-922426	MANIFOLD, 60F			AR
5	00-922491	ASSY, PILOT TUBING - OTB	2	3	AR
6	00-922475	OVEN TUBE - UPPER, 24, 60/60F	1		AR
6	00-922459	OVEN TUBE - UPPER, 36		1	
7	00-922476	OVEN TUBE - LOWER, 24	1		
7	00-962287	OVEN TUBE - LOWER, 36		1	
7	00-962660	OVEN TUBE - LOWER, 60/60F LH			AR
8	00-962661	OVEN TUBE - UPPER, 60 RH			AR
8	00-962663	OVEN TUBE - UPPER, 60F RH			AR
9	00-962662	OVEN TUBE - LOWER, 60 RH			AR
9	00-962664	OVEN TUBE - LOWER, 60F RH			AR
10	00-922454-00001***	FITTING, OVEN NOZZLE	1	1	2
11	00-962288*	COUPLING, 8MM	1	1	1
12	00-962703*	ELBOW COUPLING, 8MM			1
13	00-922457	FERRULE, 8MM	2	2	4
14	00-922455	NUT, FEMALE 8MM	2	2	4
15	00-922456**	NUT, MALE 8MM (T-STAT CONNECTION)	1	1	2
16	00-922454-00002	NUT, BULKHEAD OVEN NOZZLE	1	1	2
17	00-962702	NUT, FEMALE 8MM, M14 FLAT (OVEN NOZZLE)			

*FERRULES, NUTS NOT INCLUDED- MUST ORDER WITH QTY 2 FERRULES (00-922457) AND QTY 2 NUTS (00-922455)

** FERRULE NOT INCLUDED- MUST ORDER WITH QTY 1 FERRULE (00-922457)

***FERRULE, NUTS NOT INCLUDED- MUST ORDER WITH QTY 1 FERRULE (00-922457), QTY 1 NUT, OVEN NOZZLE (00-962702), AND QTY 1 NUT, BULKHEAD (00-922454-00002)

FIRST SERIAL NUMBER USING SST OVEN TUBES: VE0006546 MAY 2022



PL-65032

GRIDDLE

GRIDDLE

ITEM	PART NO.	DESCRIPTION	SX60F
1	00-922434-0000A	ASSY, GRIDDLE PLATE	1
2	00-922444-00002	BOX - GRIDDLE FLUE (LARGE)	1
3	00-922444-00001	BOX - GRIDDLE FLUE (SMALL)	1
4	00-961413	BURNER - GRIDDLE	2
5	00-961329	VALVE	2
6	00-922430	VALVE - PILOT GRIDDLE	2
7	00-922443	SUPPORT - GRIDDLE TRAY	1
8	00-922433	ASSY, GRIDDLE TRAY	1
9	00-922445	CRUMB TRAY - GRIDDLE FRONT	1
10	00-922489	ASSY, PILOT TUBING GRIDDLE	2

