



CATALOG OF REPLACEMENT PARTS

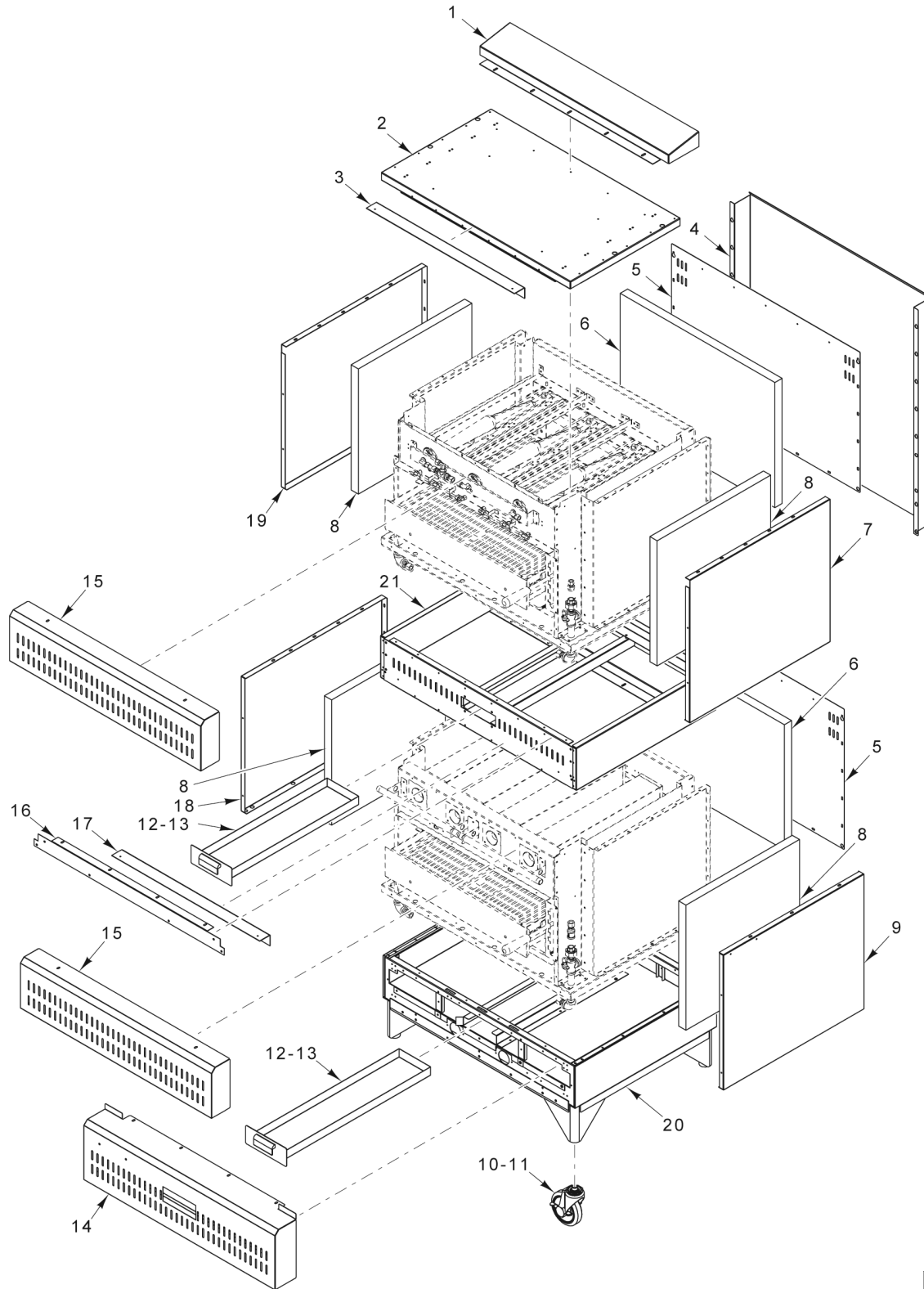
UPRIGHT BROILERS



VIR2
VBB2
VBI2
VIB2

Table of Contents

5	PANELS
7	ELEVATOR CARRIAGE ASSEMBLY
9	BURNER COMPONENTS (INFRARED)
11	BURNER COMPONENTS (CERAMIC)
13	GAS INLET MANIFOLD

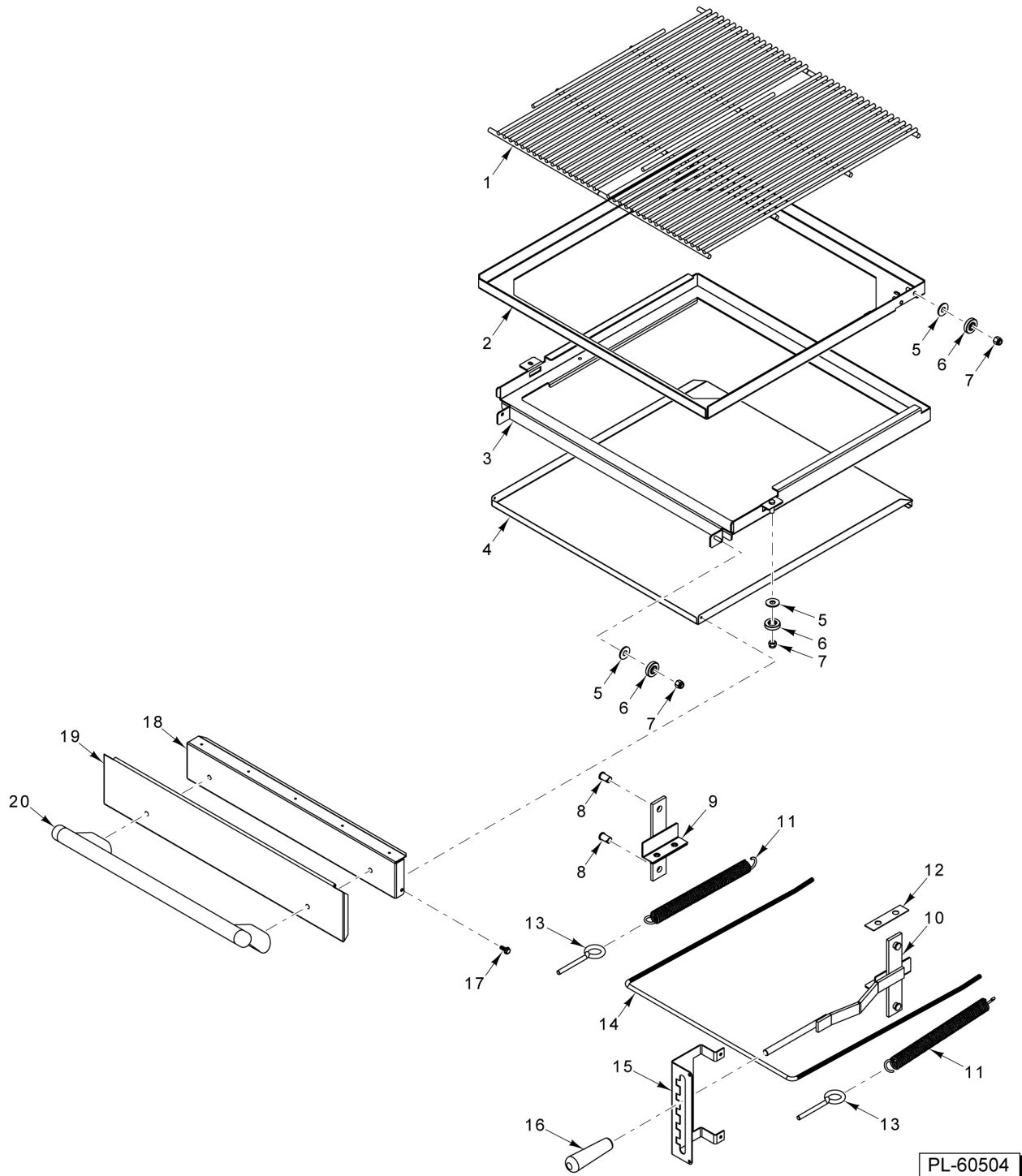


PL-60501

PANELS

PANELS

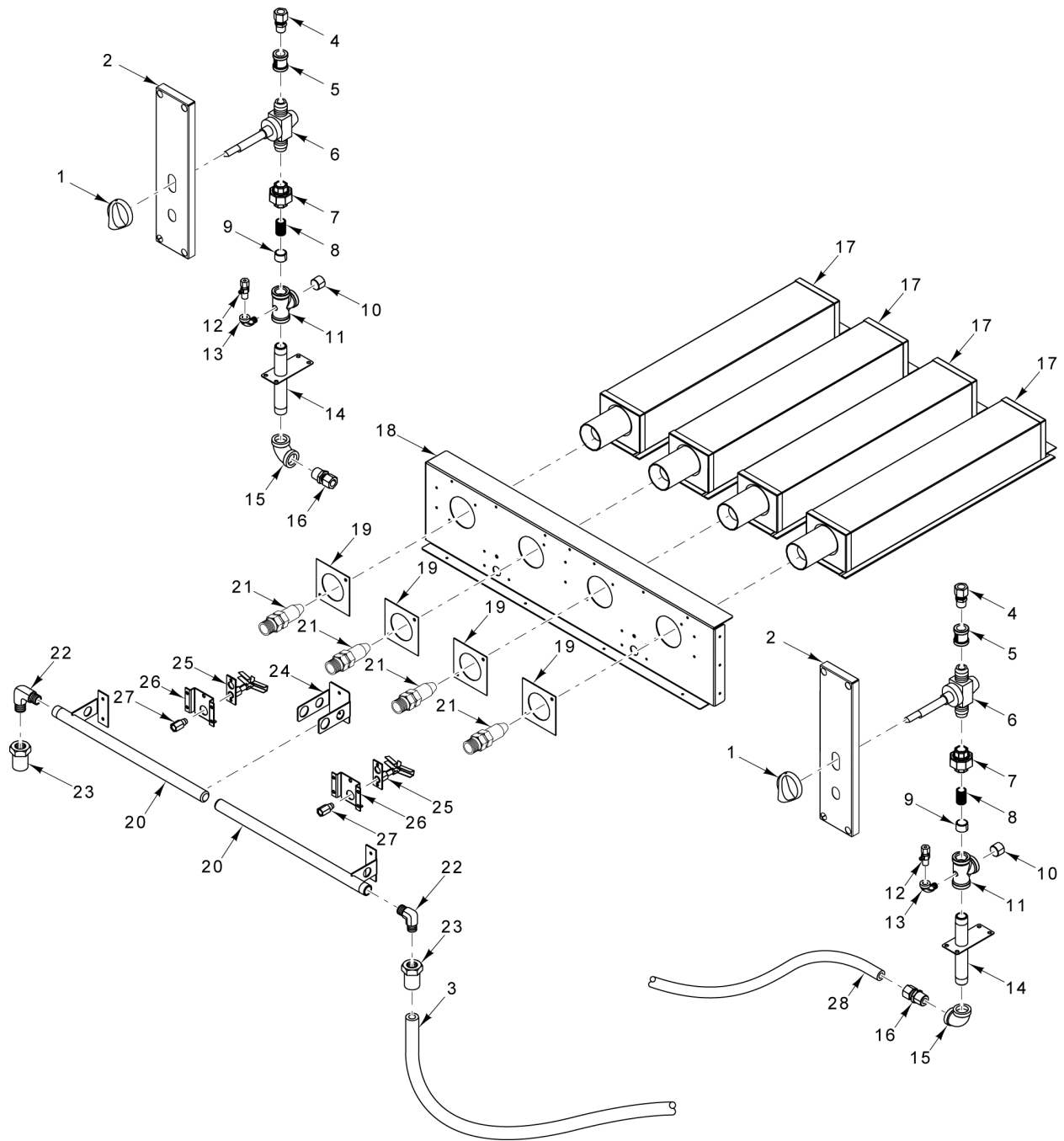
ILLUS.	PART NO.	NAME OF PART	AMT.
PL-60501			
1	00-959407-00002	Cover - Flue.....	1
2	00-959403-000G1	Base.....	1
3	00-959410-00001	Brace.....	1
4	00-959567-00001	Back - Flue.....	1
5	00-956972-00001	Back - Body.....	2
6	00-959596-00002	Insulation - Back.....	2
7	00-959400-00001	Side.....	1
8	00-959596-00001	Insulation - Side.....	4
9	00-959399-00001	Side.....	1
10	00-497002-00001	Caster, Swivel.....	2
11	00-497002-00002	Caster, W/Brake.....	2
12	00-958025-000G2	Drawer - Grease (27 Inches Deep).....	AR
13	00-958025-000G3	Drawer - Grease (25 Inches Deep).....	AR
14	00-957014-00002	Cover - Manifold.....	1
15	00-957014-00001	Cover - Manifold.....	2
16	00-959534-00001	Trim - Front.....	1
17	00-959410-00001	Brace.....	1
18	00-959399-00002	Side.....	1
19	00-959400-00002	Side.....	1
20	00-959551-000G2	Base - Broiler.....	1
21	00-959542-000G1	Connector Box Assy.....	1



ELEVATOR CARRIAGE ASSEMBLY

ELEVATOR CARRIAGE ASSEMBLY

ILLUS. PL-60504	PART NO.	NAME OF PART	AMT.
1	00-957022-00002	Grid - Broiler.....	2
2	00-959581-000G1	Carriage - Elevator.....	1
3	00-956991-000G2	Frame - Elevator.....	1
4	00-957031-00001	Tray - Drip.....	1
5	WS-004-33	Washer.....	AR
6	00-499130-00001	Bearing.....	10
7	NS-047-72	Lock Nut 1/4-20.....	AR
8	00-712543	NLA - Obsolete--Pin - Clevis.....	AR
9	00-959580-000G1	Clevis - Elevator.....	1
10	00-959580-000G2	Clevis - Elevator (With Handle).....	1
11	00-712547	Spring.....	2
12	00-959582-00001	Shim.....	AR
13	00-712548	NLA - Obsolete--Bolt - Eye.....	2
14	00-957016-00001	Rod - Drip Tray.....	1
15	00-957012-00001	Plate - Index.....	1
16	00-407785-00002	Handle.....	1
17	SD-032-07	Self-Tapping Screw 10-24 x 1/2 Hex Washer Hd., Type TT.....	AR
18	00-957027-00002	Panel - Carriage.....	1
19	00-957029-00001	Cover.....	1
20	00-956635-00002	Handle.....	1

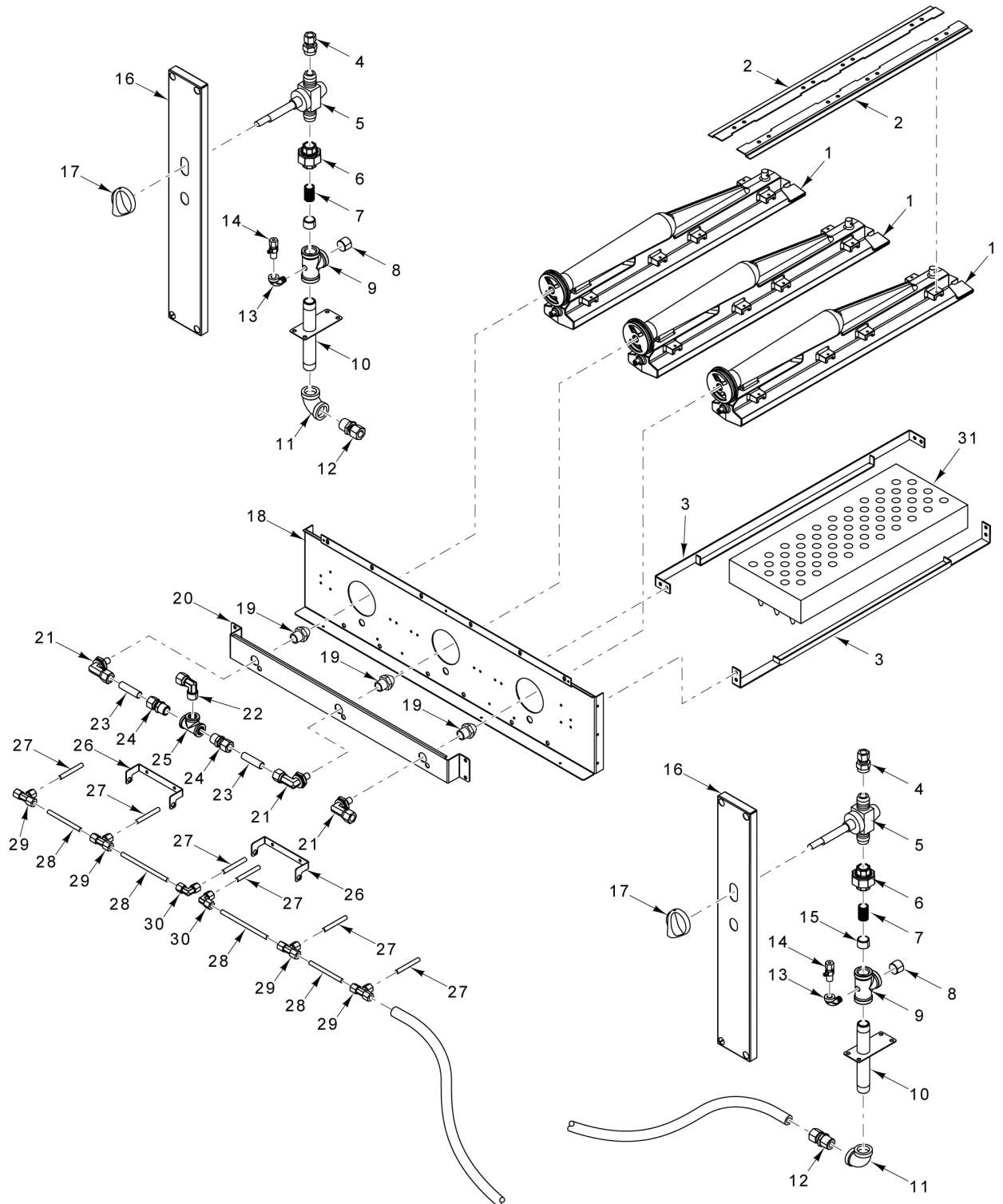


PL-60502

BURNER COMPONENTS (INFRARED)

BURNER COMPONENTS (INFRARED)

ILLUS. PL-60502	PART NO.	NAME OF PART	AMT.
1	00-499712-00001	Knob - HD Burner.....	2
2	00-959537-00001	Cover - Control.....	2
3		Tubing - Flexible.....	AR
4	FP-012-02	Fitting - Tube 1/2 TBG X 3/8 MPT.....	2
5	00-719002	Coupling.....	2
6	00-407789-00001	Valve - Service.....	2
7	00-719032	Union.....	2
8	FP-035-46	Pipe 3/8 x 1 Lg. TBE.....	2
9	00-719153	Bushing.....	2
10	FP-079-19	Plug - Pipe 1/2.....	2
11	00-719390	Tee.....	2
12	00-404738-00002	Valve -Pilot 3/16.....	2
13	00-711368	Elbow 3/8.....	2
14	00-956988-00002	Manifold - Upright.....	2
15	FP-077-68	Elbow 1/2 x 90 Deg.....	2
16	FP-047-09	Fitting - Tube 1/2 TBG x 1/2 MPT.....	2
17	00-957037-00001	Burner - Infrared.....	4
18	00-957966-00001	Support - Infrared Burner.....	1
19	00-958301-00001	Plate - Block Off.....	4
20	00-957899-000G1	Manifold Assy. (Incls. Items 21, 22, & 23).....	2
21	00-417879-00001	Nozzle - Burner.....	4
22	FP-077-68	Elbow 1/2 x 90 Deg.....	2
23	FP-047-09	Fitting - Tube 1/2 TBG x 1/2 MPT.....	2
24	00-751398	Bracket - Support.....	1
25	00-712545	Pilot.....	2
26	00-959583-00001	Bracket - Pilot.....	2
27	00-712577	Fitting.....	2
28		Tubing - Flexible.....	AR

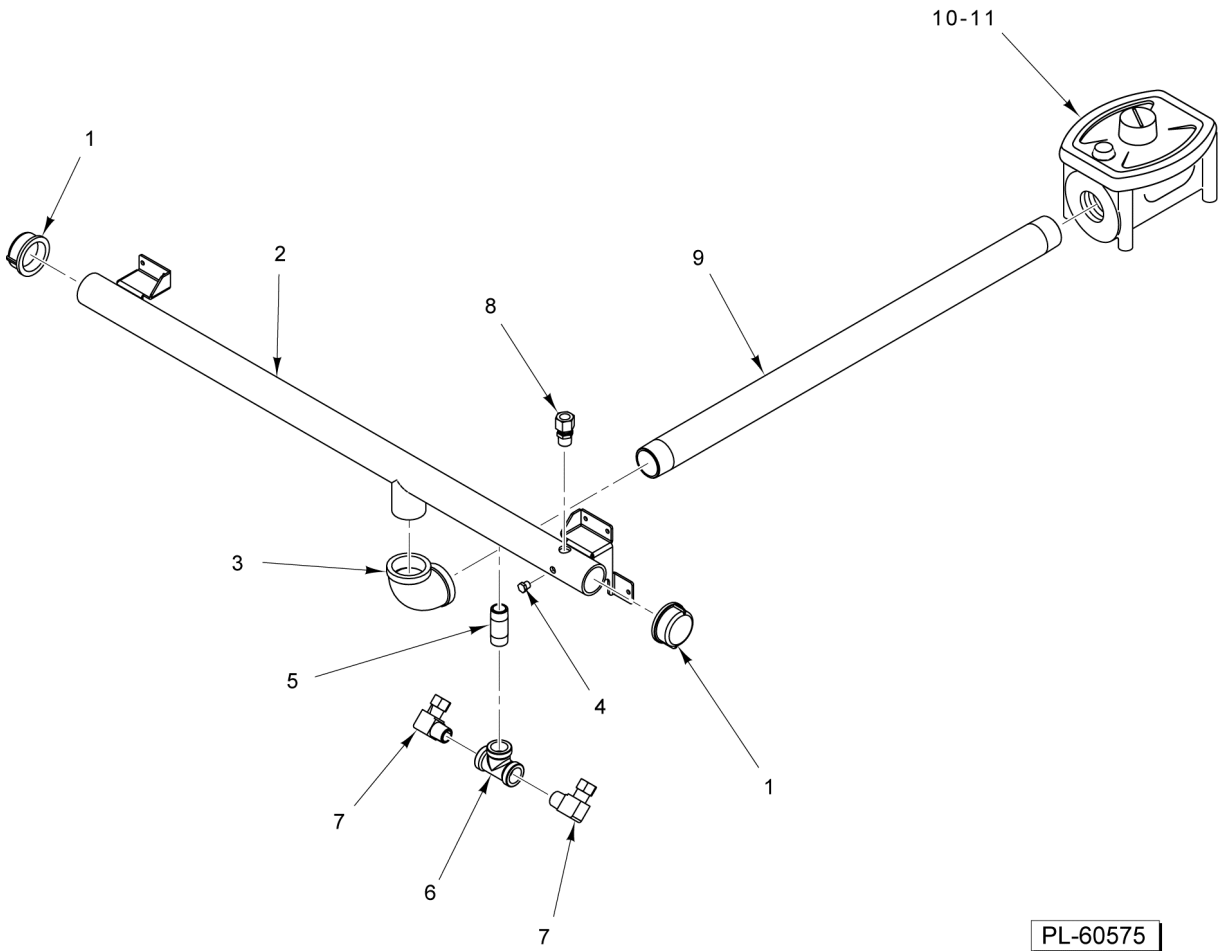


PL-60503

BURNER COMPONENTS (CERAMIC)

BURNER COMPONENTS (CERAMIC)

ILLUS.	PART NO.	NAME OF PART	AMT.
PL-60503			
1	00-499181-000G2	Burner Assy.....	3
2	00-497850-00001	Support - Burner.....	6
3	00-959577-00001	Support - Brick.....	6
4	FP-086-07	Fitting - Tube (7/16 TBG X 3/8 FPT).....	2
5	00-407789-00001	Valve - Service.....	2
6	00-719032	Union.....	2
7	FP-035-46	Pipe 3/8 x 1 Lg. TBE.....	2
8	FP-079-19	Plug - Pipe 1/2.....	2
9	00-719390	Tee.....	2
10	00-956988-00002	Manifold - Upright.....	2
11	FP-077-68	Elbow 1/2 x 90 Deg.....	2
12	FP-047-09	Fitting - Tube 1/2 TBG x 1/2 MPT.....	2
13	00-711368	Elbow 3/8.....	2
14	00-404738-00003	Valve - Pilot.....	2
15	00-719153	Bushing.....	2
16	00-959537-00002	Cover - Control.....	2
17	00-499712-00001	Knob - HD Burner.....	2
18	00-957966-00002	Support - Burner.....	1
19	00-418051-0000F	Hood - Orifice.....	3
20	00-959569-00001	Bracket - Manifold.....	1
21	00-404079-0000F	Elbow 7/16 Orifice.....	AR
22	FP-085-68	Fitting- Elbow (7/16 TBG X 3/8 MPT).....	1
23	00-959576-00001	Tube.....	AR
24	FP-085-42	Fitting - Tube (7/16 TBG X 3/8 MPT).....	AR
25	FP-019-10	Tee - 3/8 X 3/8 X 3/8 (BLKSTL).....	1
26	00-959571-00001	Bracket - Pilot.....	2
27	00-499128-00001	Tubing.....	AR
28	00-959404-00001	Tubing.....	AR
29	FP-081-74	Tee 1/4 Tube.....	4
30	FP-047-22	Fitting - Tube 1/4.....	2
31	00-408726-000G7	Brick (Set).....	1



PL-60575

GAS INLET MANIFOLD

GAS INLET MANIFOLD

ILLUS.	PART NO.	NAME OF PART	AMT.
PL-60575			
1	00-499015-00001	Cap - Pipe.....	2
2	00-499011-00007	Manifold Assy.....	1
3	FP-013-31	Elbow Pipe 1-1/4 x 90 Deg.....	1
4	FP-085-53	Pipe Plug 1/8.....	1
5	FP-035-91	Pipe 1/2 x 1-1/8 TBE.....	1
6	00-719038	NLA - Obsolete--Pipe - Tee 1/2.....	1
7	FP-047-42	Fitting - 90 Deg. Male Elbow 1/2 TBG x 1/2 MPT (Brass).....	2
8	FP-012-02	Fitting - Tube 1/2 TBG X 3/8 MPT.....	1
9	00-715037	Pipe 1-1/4 x 27 Lg.....	1
10	00-408279-00028	Regulator - Pressure (LP).....	1
11	00-408279-00030	Regulator - Pressure (NAT).....	1

