



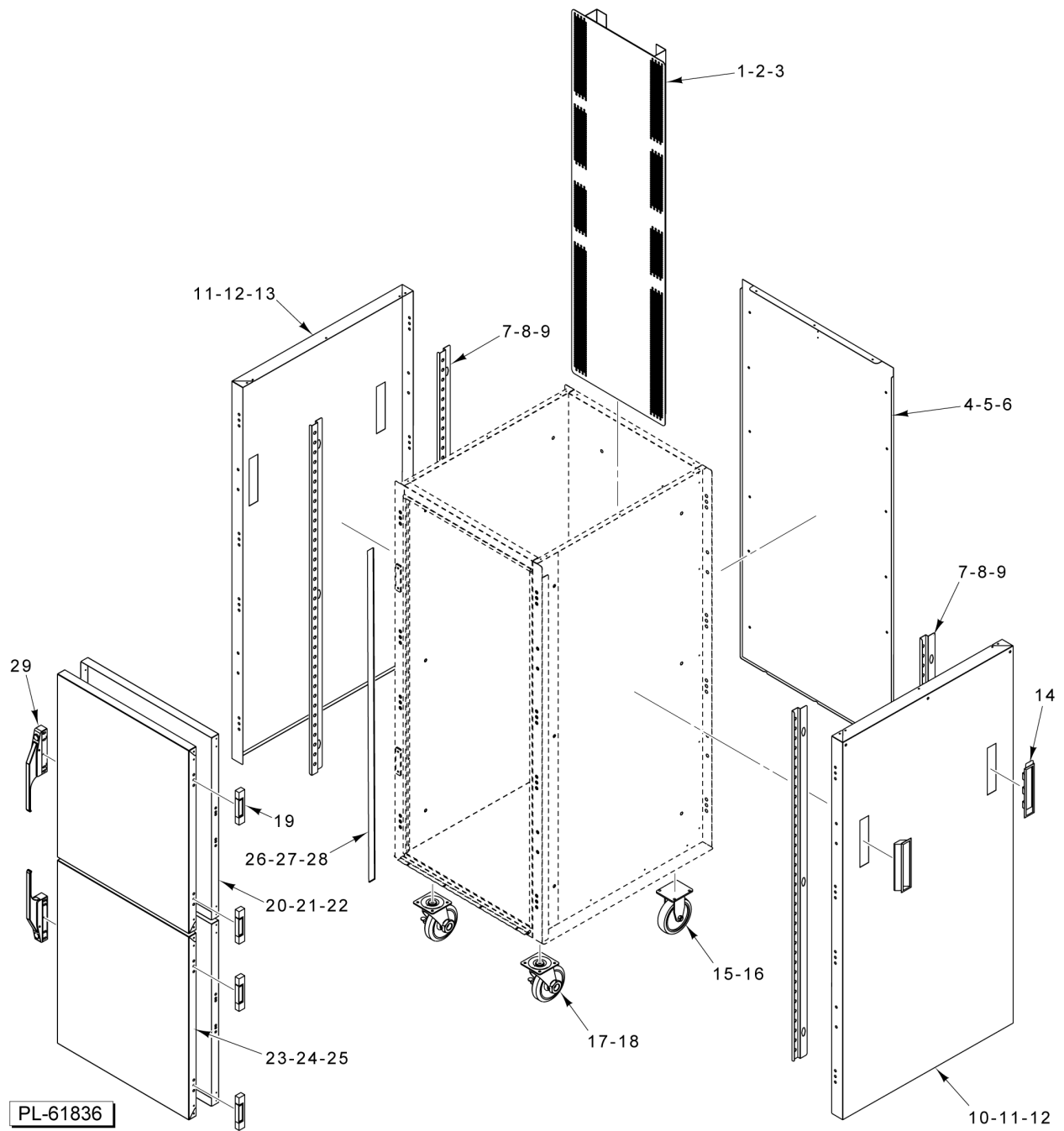
CATALOG OF REPLACEMENT PARTS

VCH HEATED CABINETS

VCH5
VCH8
VCH16

Table of Contents

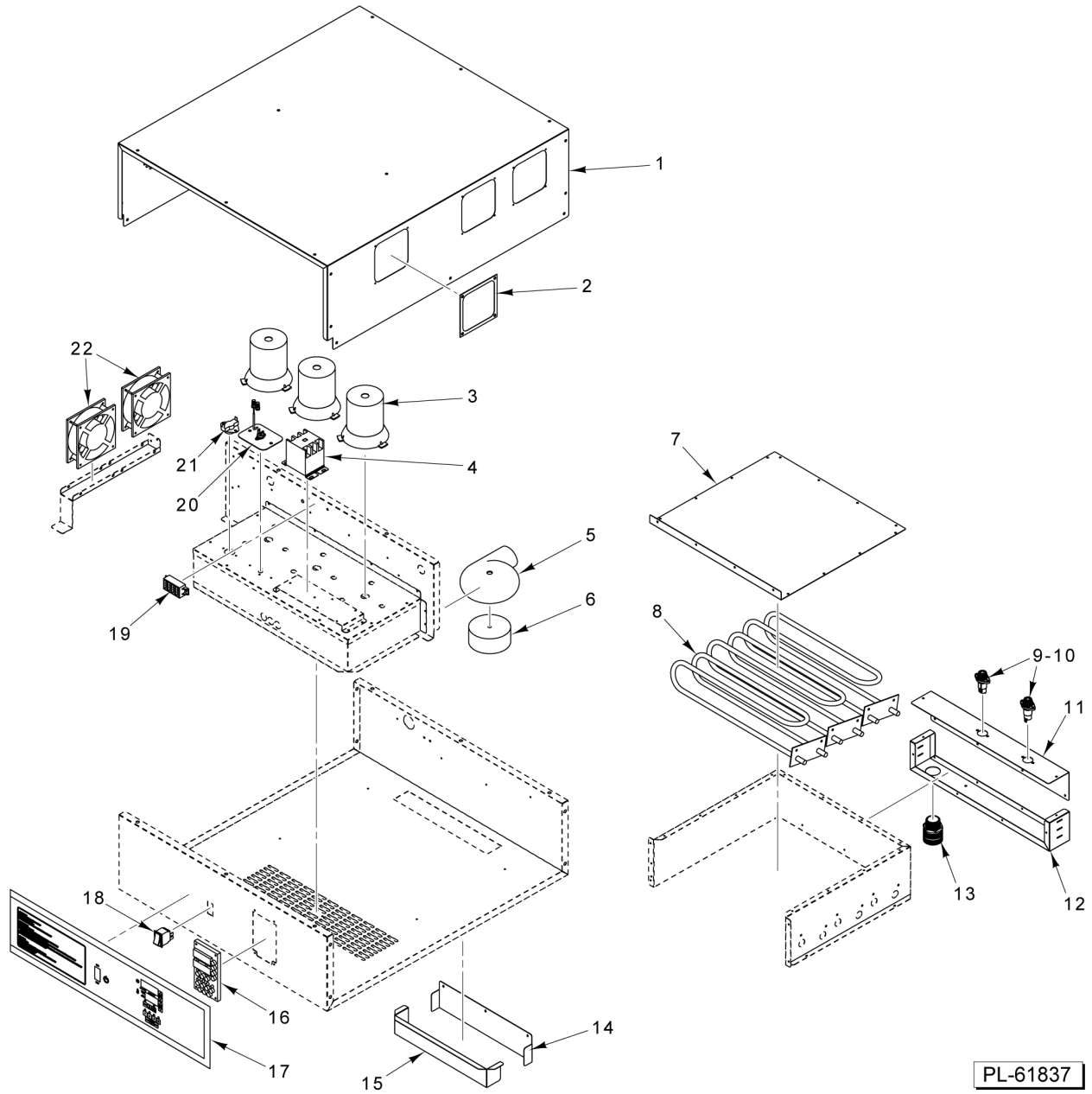
5	CABINET
7	TOP



CABINET

CABINET

ILLUS.	PART NO.	NAME OF PART	AMT.
1	00-960758	Tunnel Assy. (VCH16).....	1
2	00-960757	Tunnel Assy. (VCH8).....	1
3	00-960759	Tunnel Assy. (VCH5).....	1
4	00-961264	Panel - Rear (VCH16).....	1
5	00-961244	Panel - Rear (VCH8).....	1
6	00-961037	Panel - Rear (VCH5).....	1
7	00-961058	Support - Rack (VCH16).....	4
8	00-960761	Support - Rack (VCH8).....	4
9	00-961059	Support - Rack (VCH5).....	4
10	00-961038	Panel - Side (Right) (VCH5).....	1
11	00-961050	Panel - Side (VCH16).....	2
12	00-961032	Panel - Side (VCH8).....	2
13	00-961039	Panel - Side (Left) (VCH5).....	1
14	00-960606	Handle - Recessed (Black).....	4
15	00-497001-00003	Caster W/O Brake, Rigid (5 In.) (VCH16 & VCH8).....	2
16	00-961974	Caster 3 In. (VCH5).....	2
17	00-497001-00002	Caster W/ Brake, Swivel (5 In.) (VCH16 & VCH8).....	2
18	00-961975	Caster 3 In. (VCH5).....	2
19	00-960616	Hinge Assy.....	4
20	00-962099	Door - Inner (VCH16).....	2
21	00-962010	Door - Inner (VCH8).....	2
22	00-962095	Door - Inner (VCH5).....	2
23	00-962100	Door - Outer (VCH16).....	2
24	00-962011	Door - Outer (VCH8).....	2
25	00-962096	Door - Outer (VCH5).....	2
26	00-961155	Gasket - Door (Side) (VCH16).....	1
27	00-960571	Gasket - Door (Side) (VCH8).....	1
28	00-960577	Gasket - Door (Side) (VCH5).....	1
29	00-960663	Latch - Door.....	2



TOP

TOP

ILLUS.	PART NO.	NAME OF PART	AMT.
PL-61837			
1	00-961023	Panel - Top.....	1
2	00-960835	Fan Guard Assy.....	3
3	00-913102-00243	Motor - Blower (240 V.).....	3
4	00-960527	Contactora (208/240 V.) (2-Pole).....	1
5	00-960827	Housing - Fan.....	3
6	00-960825	Impeller.....	3
7	00-961012	Cover - Element Box.....	1
8	00-960567	Element (240 V.) (1900 W.).....	3
9	00-960595	Holder - Fuse.....	2
10	00-960596	Fuse (3 Amp.).....	2
11	00-961021	Cover - Power Box.....	1
12	00-961022	Box - Power.....	1
13	00-960721	Strain Relief.....	1
14	00-961017	Chute - Inner.....	1
15	00-961018	Chute - Outer.....	1
16	00-962797-00001	Board - Control.....	1
17	00-962782-00001	Overlay.....	1
18	00-960726	Switch.....	1
19	00-960506	Block - Terminal.....	1
20	00-958827-000G1	Thermostat (High Limit) (With Mounting Plate).....	1
21	00-960743	Thermostat 120 Deg.....	1
22	00-960832	Fan (240 V.).....	2

