

# **VULCAN**

## *CATALOG OF REPLACEMENT PARTS*

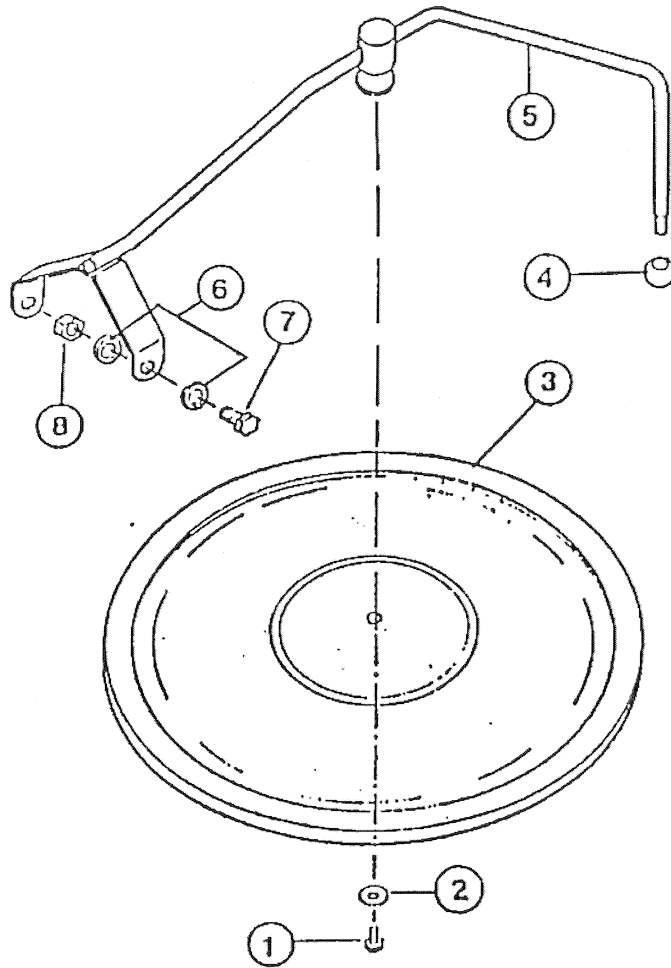
### *VDL & VDP DIRECT STEAM TRI-LEG AND PEDESTAL BASE FLOOR MOUNTED 2/3 JACKETED KETTLES*

#### MODEL

VDL20	ML-103402
VDL30	ML-103403
VDL40	ML-103404
VDL60	ML-103405
VDL80	ML-103406
VDL100	ML-103407
VDP20	ML-103408
VDP30	ML-103409
VDP40	ML-103410
VDP60	ML-103411
VDP80	ML-103412
VDP100	ML-103413



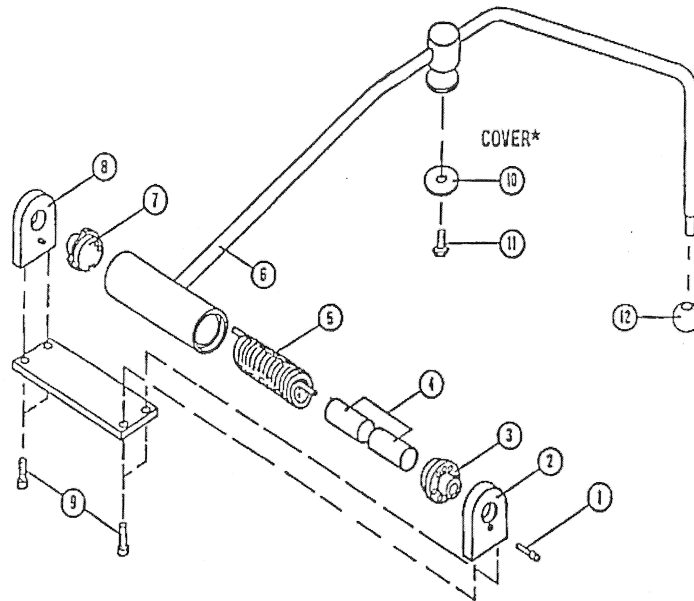
For additional information on Vulcan-Hart Company or to locate an authorized parts and service provider in your area, visit our website at [www.vulcanhart.com](http://www.vulcanhart.com)



**COUNTER BALANCED HINGED COVER**

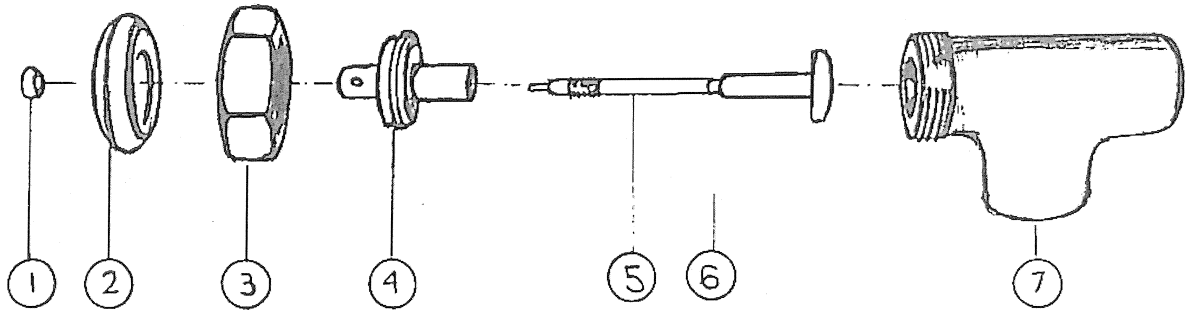
**REPLACEMENT PARTS LIST**

PART NO.	NAME OF PART	AMT.
1	00-842956 Bolt .....	1
2	00-850622 Washer .....	1
3	00-851961 Cover (20 Gallon) .....	1
	00-850430 Cover (30 Gallon) .....	1
	00-850217 Cover (40 Gallon) .....	1
	00-844424 Cover (60 Gallon) .....	1
	00-850548 Cover (80 Gallon) .....	1
	00-851009 Cover (100 Gallon) .....	1
4	00-836964 Knob .....	1
5	00-850499 Handle Assy. (20 Gallon) .....	1
	00-857093 Handle Assy. (30 Gallon) .....	1
	00-850698 Handle Assy. (40 Gallon) .....	1
6	00-851906 Fiber Washer .....	4
7	SC-041-42 Bolt .....	2
8	NS-015-16 Nut .....	2



**SPRING ASSIST HINGE ASSEMBLY  
REPLACEMENT PARTS LIST**

PART NO.	NAME OF PART	AMT.
<b>20 to 40 Gallon Kettles</b>		
1	00-836977 Lock Pin .....	1
2	00-836978 End Lock Plate .....	1
3	00-836979 Stationary Disc.....	1
4	00-844367-00034 Cores .....	2
5	00-844367-00035 Spring .....	1
6	00-850518-00002 Handle Assy. (20 Gallon) .....	1
	00-850518-00003 Handle Assy. (30 Gallon) .....	1
	00-850518 Handle Assy. (40 Gallon) .....	1
7	00-836983 Rotary Disc .....	1
8	00-836932 End Stop Plate .....	1
9	00-844367-00036 Cap Screws .....	4
	00-850622 Washer .....	1
11	00-842956 Bolt .....	1
12	00-836964 Knob .....	1
	00-844459 Hinge Assy. ....	1
	00-851961 Cover (20 Gallon) .....	1
	00-850430 Cover (30 Gallon) .....	1
	00-850217 Cover (40 Gallon) .....	1
<b>60 to 100 Gallon Kettles</b>		
1	00-836986 Lock Pin .....	1
2	00-836987 End Lock Plate .....	1
3	00-836988 Stationary Disc.....	1
4	00-836989 Cores .....	2
5	00-836990 Spring .....	1
6	00-850061 Handle Assy. (60 Gallon) .....	1
	00-844462 Handle Assy. (80 Gallon) .....	1
	00-850477 Handle Assy. (100 Gallon) .....	1
7	00-836992 Rotary Disc .....	1
8	00-836993 End Stop Plate .....	1
9	SC-041-10 Cap Screws .....	4
	00-850622 Washer .....	1
11	00-842956 Bolt .....	1
12	00-836964 Knob .....	1
	00-844461 Hinge Assy. ....	1
	00-844424 Cover (60 Gallon) .....	1
	00-850548 Cover (80 Gallon) .....	1
	00-851009 Cover (100 Gallon) .....	1



**DRAW OFF VALVES**

**REPLACEMENT PARTS LIST**

	PART NO.	NAME OF PART	AMT.		
			1½" Valve	2" Valve	3" Valve
1	00-836939	Nut .....	1	1	
	00-836940	Nut .....			1
2	00-836967	Handle .....	1	1	
	00-836942	Handle .....			1
3	00-836943	Hex. Assembly Nut .....	1		
	00-836944	Hex. Assembly Nut .....		1	
	00-836945	Hex. Assembly Nut .....			1
4	00-836946	Bonnet .....	1		
	00-836947	Bonnet .....		1	
	00-836948	Bonnet .....			1
5	00-850218	Disc & Stem Assy. ....	1		
	00-836950	Disc & Stem Assy. ....		1	
	00-836951	Disc & Stem Assy. ....			1
6	00-836966	"O" Ring .....	1		
	00-836953	"O" Ring .....		1	
	00-836954	"O" Ring .....			1
7	00-836955	Valve Body .....	1		
	00-836956	Valve Body .....		1	
	00-836957	Valve Body .....			1
	00-851561	Strainer (Draw Off Valve) .....	1		
	00-850593	Strainer (Draw Off Valve) .....		1	
	00-840554	Strainer (Draw Off Valve) .....			1
	00-851291	Draw Off Valve Complete .....	1		
	00-851293	Draw Off Valve Complete .....		1	
	00-851294	Draw Off Valve Complete .....			1
	00-851927	Dairy Valve .....		1	
	00-850421	Dairy Valve .....			1

**PARTS NOT SHOWN**

<b>PART NO.</b>	<b>NAME OF PART</b>	<b>AMT.</b>
00-844034	Knob (Steam Control Valve) .....	1
00-836937	Steam Control Valve (1/2") .....	1
00-881984	Steam Control Valve (3/4") .....	1
00-844527	Steam Trap .....	1
00-881980	35# psi Relief Valve .....	1
00-844492	50# psi Relief Valve .....	1
00-843837	Ball Valve (1/2") (Drains Condensate) .....	1
00-836958	Flanged Foot .....	3