

# VULCAN

## CATALOG OF REPLACEMENT PARTS

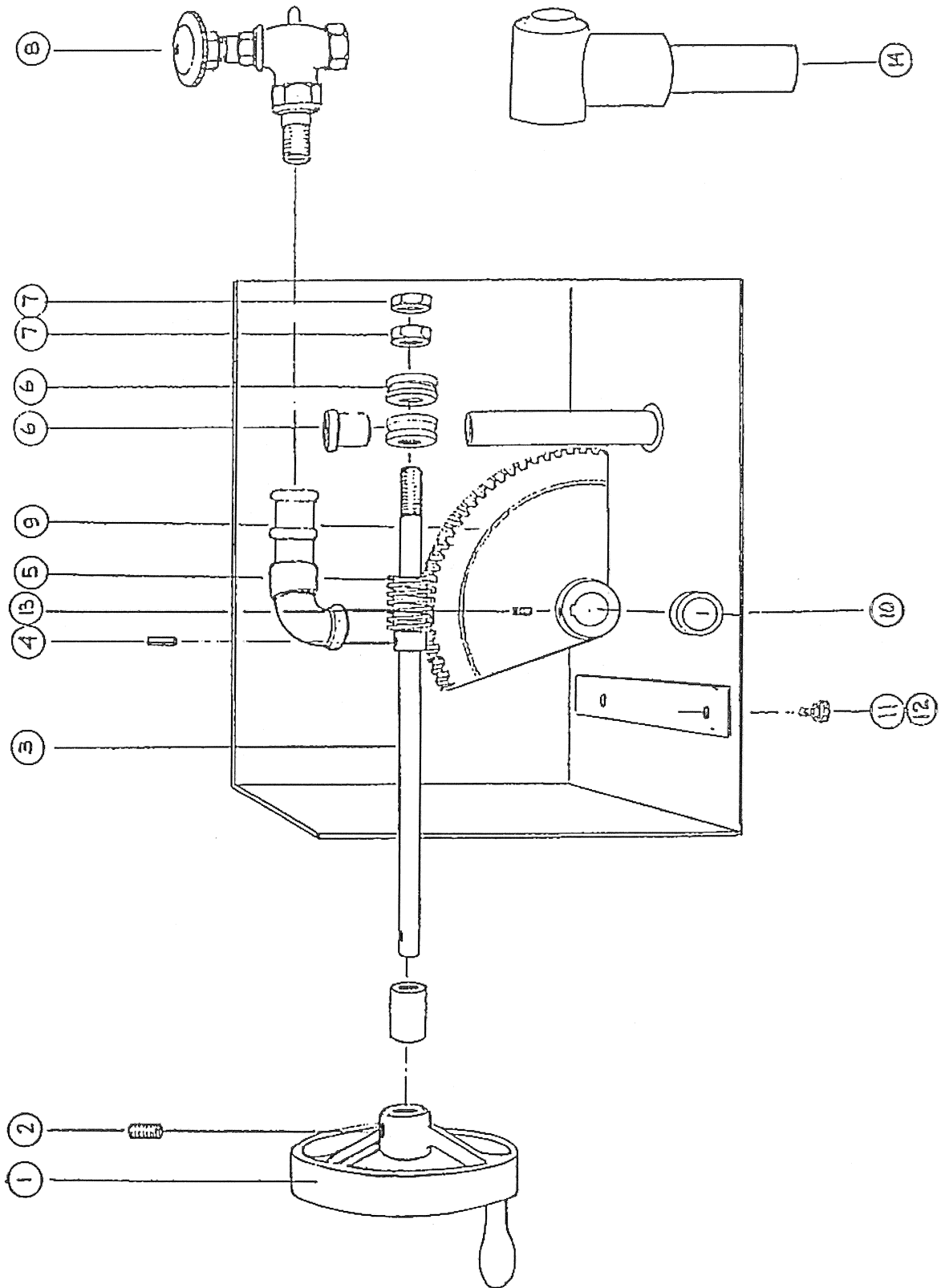
### *DIRECT STEAM FLOOR MOUNTED TILTING 2/3 JACKETED KETTLES VDLT & VDPT SERIES*

#### MODELS

VDLT20	ML-103414
VDLT30	ML-103415
VDLT40	ML-103416
VDLT60	ML-103417
VDLT80	ML-103418



For additional information on Vulcan-Hart or to locate an authorized parts and service provider in your area, visit our website at [www.vulcanhart.com](http://www.vulcanhart.com)

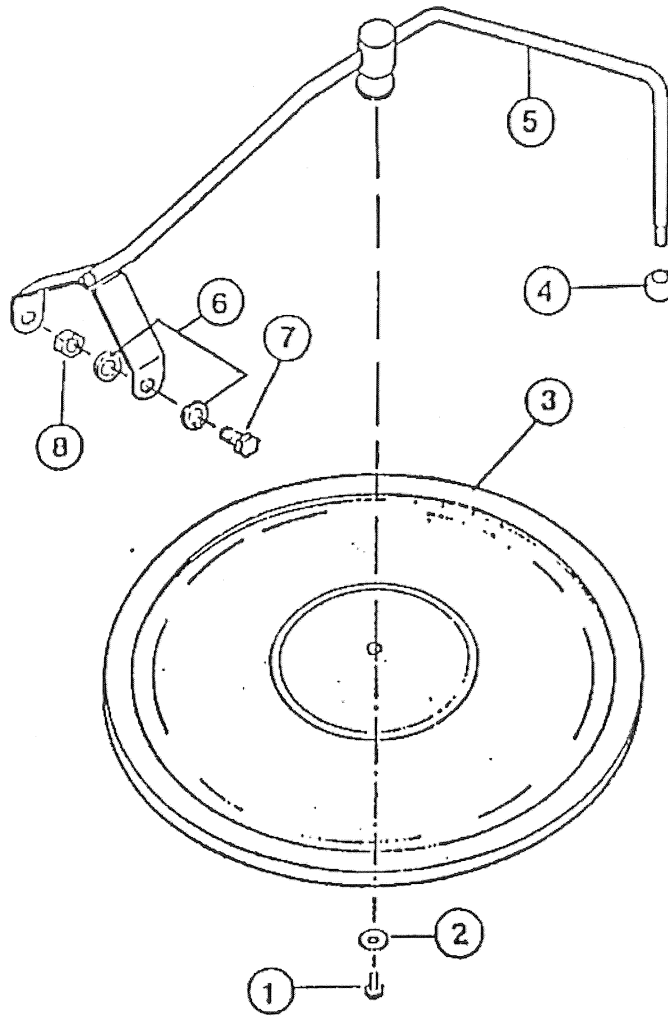


**GEAR BOX ASSEMBLY**

## GEAR BOX ASSEMBLY

## REPLACEMENT PARTS LIST

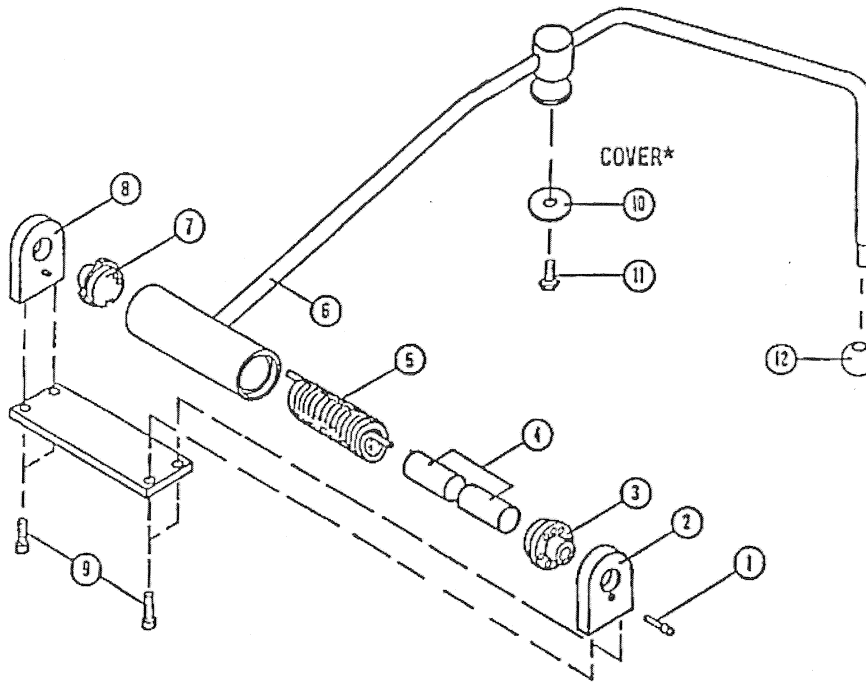
	PART NO.	NAME OF PART	AMT.
1	00-881962	Handwheel .....	1
2	SC-047-42	Set Screw .....	1
3	00-836936	Tilting Shaft .....	1
4	00-836952	Tension Pin .....	1
5	00-855086	Worm & Segment Gear Kit .....	1
6	00-881963	Thrust Bearing .....	2
7	NS-013-50	Jam Nut .....	2
8	00-881984	Steam Control Valve .....	1
9	00-850051	Small Segment Gear (20, 30, 40) .....	1
	00-855086	Worm & Segment Gear Kit (60, 80, 100) .....	1
10	00-836971	Spacer Collar .....	1
11	SC-090-12	Fastening Bolt .....	4
12	WL-004-06	Lock Washer .....	4
13	SC-047-42	Set Screw .....	1
	00-850166	Key (Not Visible) .....	1
	00-881967	"O" Ring (Not Visible) .....	4
14	00-836970	Outbore Bearing (W/O Cover) .....	1
	00-850272	Outbore Bearing (W/Hinged Cover) .....	1
	00-844452	Tilt Side Bearing Block .....	1
	00-844034	Knob, Steam Control Valve .....	1
	00-844457	Retaining Rings .....	1
	00-881980	Valve, Pressure Reducing .....	1
	00-844527	Steam Trap .....	1
	00-850567	Control Box Cover .....	1
	00-850446	Tilt Console (60) .....	1
	00-850434	Tilt Console (20, 30, 40) .....	1
	00-843837	Ball Valve (Drains Condensate) .....	1



**HINGED COUNTERBALANCED COVER (OPTIONAL)**

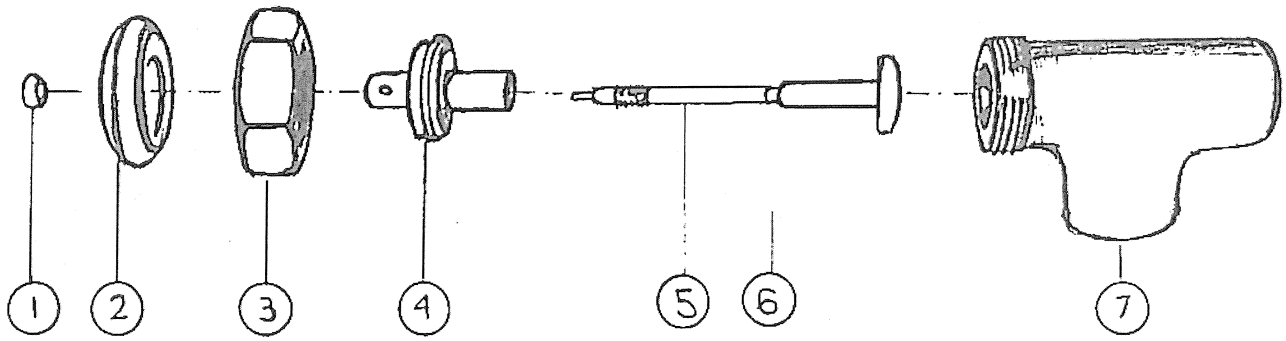
**REPLACEMENT PARTS LIST**

PART NO.	NAME OF PART	AMT.
1	00-842956 Bolt .....	1
2	00-850622 Washer .....	1
3	00-851961 Cover (20 Gallon) .....	1
	00-850430 Cover (30 Gallon) .....	1
	00-850217 Cover (40 Gallon) .....	1
	00-844424 Cover (60 Gallon) .....	1
	00-850548 Cover (80 Gallon) .....	1
	00-851009 Cover (100 Gallon) .....	1
4	00-836964 Knob .....	1
5	00-850499 Handle Assy. (20 Gallon) .....	1
	00-857093 Handle Assy. (30 Gallon) .....	1
	00-850698 Handle Assy. (40 Gallon) .....	1
6	WS-007-20 Fiber Washer .....	4
7	SC-041-42 Bolt .....	2
8	NS-015-16 Nut .....	2



**SPRING ASSISTED HINGE ASSEMBLY (OPTIONAL)  
REPLACEMENT PARTS LIST**

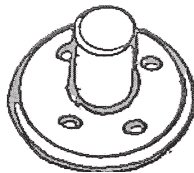
PART NO.	NAME OF PART	AMT.
<b>20 to 40 Gallon Kettles</b>		
1	00-836977 Lock Pin .....	1
2	00-836978 End Lock Plate .....	1
3	00-836979 Stationary Disc .....	1
4	00-844367-00034 Cores .....	2
5	00-844367-00035 Spring .....	1
6	00-850518-00002 Handle Assy. (20 Gallon) .....	1
	00-850518-00003 Handle Assy. (30 Gallon) .....	1
	00-850518 Handle Assy. (40 Gallon) .....	1
7	00-836983 Rotary Disc .....	1
8	00-836932 End Stop Plate .....	1
9	SC-041-50 Cap Screws .....	4
10	00-850622 Washer .....	1
11	00-842956 Bolt .....	1
12	00-836964 Knob .....	1
	00-850217 Cover (40 Gallon) .....	1
<b>60 to 100 Gallon Kettles</b>		
1	00-836986 Lock Pin .....	1
2	00-836987 End Lock Plate .....	1
3	00-836988 Stationary Disc .....	1
4	00-836989 Cores .....	2
5	00-836990 Spring .....	1
6	00-850061 Handle Assy. (60 Gallon) .....	1
	00-844462 Handle Assy. (80 Gallon) .....	1
	00-850477 Handle Assy. (100 Gallon) .....	1
7	00-836992 Rotary Disc .....	1
8	00-836993 End Stop Plate .....	1
9	SC-041-01 Cap Screws .....	4
10	00-850622 Washer .....	1
11	00-842956 Bolt .....	1
12	00-836964 Knob .....	1
	00-844424 Cover (60 Gallon) .....	1
	00-850548 Cover (80 Gallon) .....	1
	00-851009 Cover (100 Gallon) .....	1



**DRAW OFF VALVE (OPTIONAL)**

**REPLACEMENT PARTS LIST**

PART NO.	NAME OF PART	AMT.		
		1½" Valve	2" Valve	3" Valve
1	00-836939 Nut .....	1	1	
	00-836940 Nut .....			1
2	00-836967 Handle .....	1	1	
	00-836942 Handle .....			1
3	00-836943 Hex. Assembly Nut .....	1		
	00-836944 Hex. Assembly Nut .....		1	
	00-836945 Hex. Assembly Nut .....			1
4	00-836946 Bonnet .....	1		
	00-836947 Bonnet .....		1	
	00-836948 Bonnet .....			1
5	00-850218 Disc & Stem Assy. ....	1		
	00-836950 Disc & Stem Assy. ....		1	
	00-836951 Disc & Stem Assy. ....			1
6	00-836966 "O" Ring .....	1		
	00-836953 "O" Ring .....		1	
	00-836954 "O" Ring .....			1
7	00-836955 Valve Body .....	1		
	00-836956 Valve Body .....		1	
	00-836957 Valve Body .....			1
	00-851561 Strainer (Draw Off Valve) .....	1		
	00-850593 Strainer (Draw Off Valve) .....		1	
	00-840554 Strainer (Draw Off Valve) .....			1



PART NO.	NAME OF PART	AMT.
00-836958	Flanged Adjustable Foot .....	3