

VULCAN

CATALOG OF REPLACEMENT PARTS

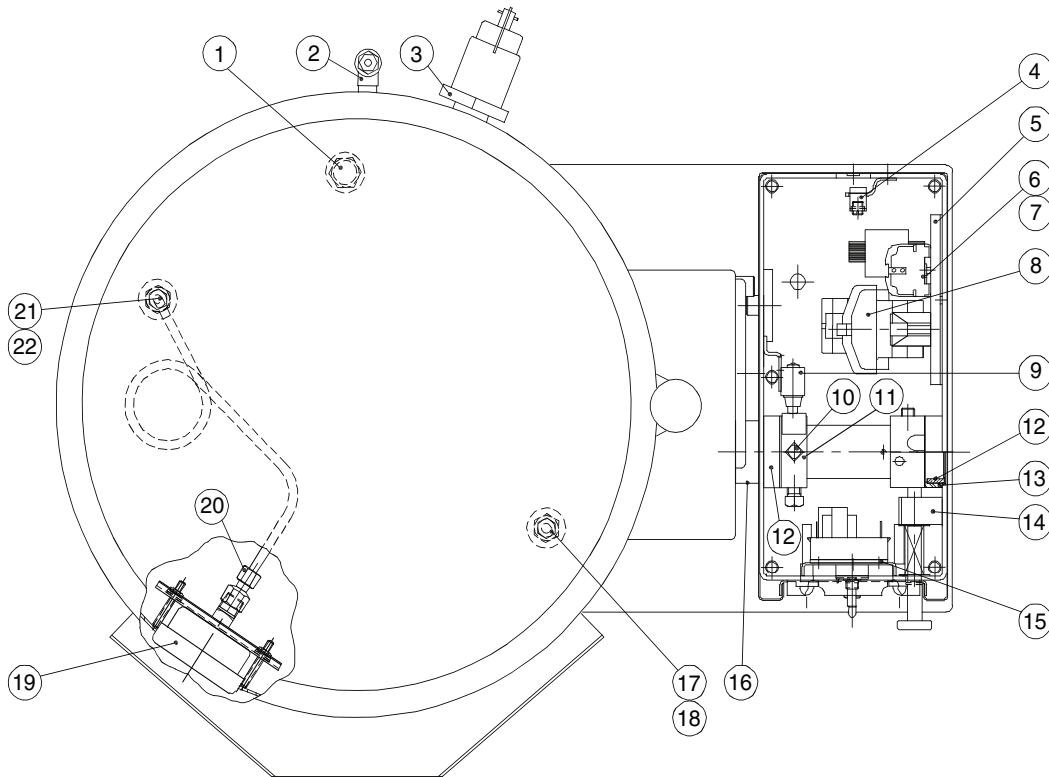
ELECTRIC COUNTER TILTING 2/3 JACKETED KETTLES VEC SERIES

MODELS

*VEC6
VEC10
VEC12
VEC20*



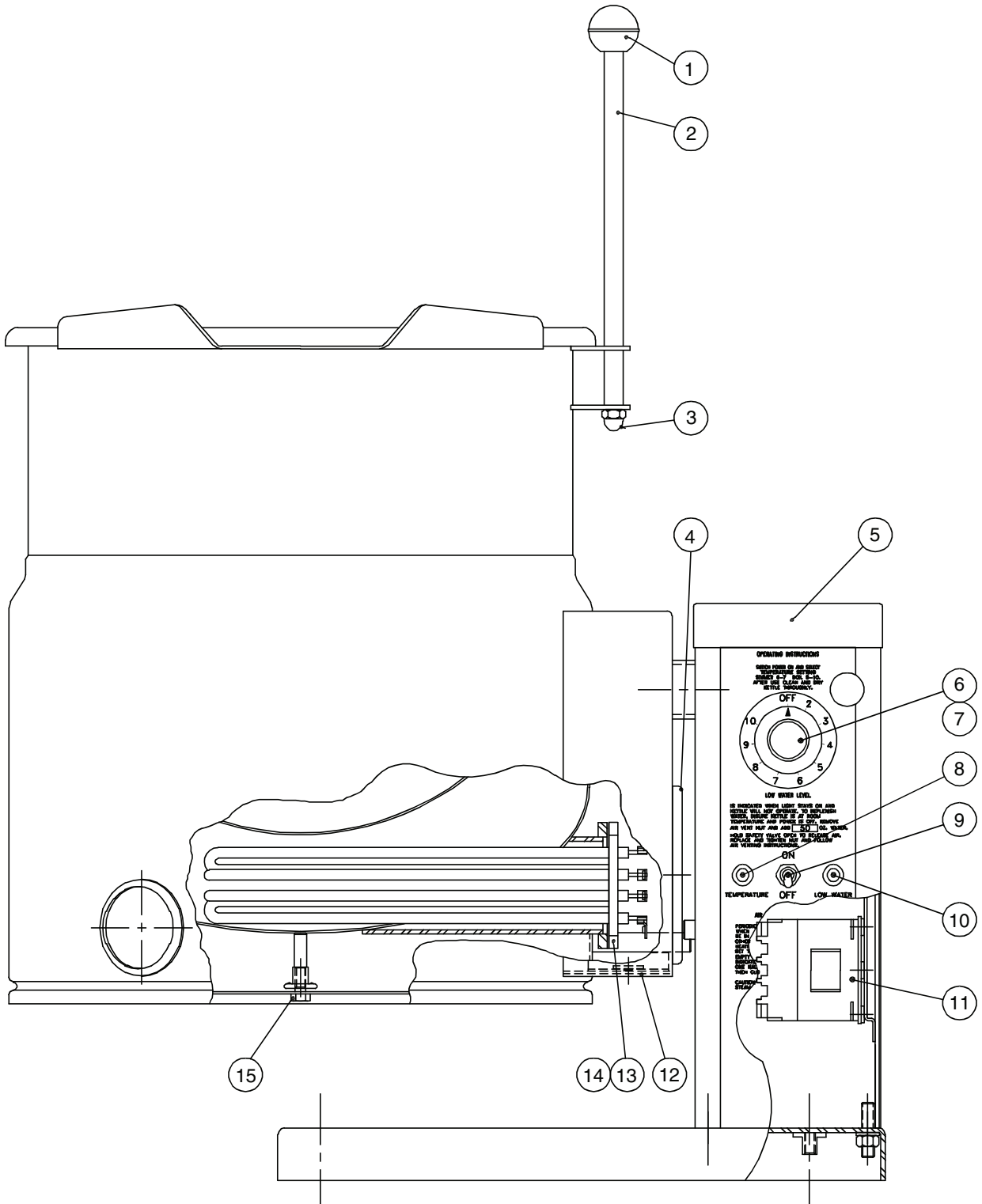
For additional information on Vulcan-Hart or to locate an authorized parts and service provider in your area, visit our website at www.vulcanhart.com



REPLACEMENT PARTS LIST

ILLUS. Figure 1	PART NO.	NAME OF PART	AMT.		
			VEC6	VEC10	VEC12
1	00-881981	Liquid Level Probe	1	1	1
2	00-881961	Air Vent Assembly	1	1	1
3	00-844492	Safety Relief Valve	1	1	1
4	00-844367-00008	Ground Lug	1	1	1
5	00-851352	Component Mounting Bracket	1	1	1
6	00-840511	Terminal Block	3	3	3
	00-840511	Terminal Block (220/380, 240/415)	4	4	4
7	00-843969	Terminal Block End Section	1	1	1
8	00-881975	Contactor (208, 240V)	2	2	2
	00-881975	Contactor (380, 416, 480, 600V)	1	1	1
9	00-881971	Micro Switch	1	1	1
10	00-854936	Square Head Set Screw, ³ / ₈ - 16 NC X 1/2	2	2	2
11	00-851392	Actuating Collar	1	1	1
12	00-843777	Trunnion Bronze Bearing	1	1	1
13	00-853997	Trunnion Bearing Housing	2	2	2
14	00-855425	Marine Lock Assembly	1	1	1
15	00-855525	Mounting Plate	1	1	1
16	00-855526	Boston Bronze Bearing	1	1	1
17	00-851247	Reducer, ³ / ₈ NPT - 1/4 NPT	1	1	1
18	00-854021	Compression Fitting	1	1	1
19	00-881979	Pressure Gauge	1	1	1
	00-851916	O-Ring	1	1	1
20	00-844528	Compression Fitting	1	1	1
21	00-844531	Compression Fitting	1	1	1
22	00-845592	Copper Tubing	1	1	1
*	00-851762	Wire Harness – Thermostat	1	1	1
*	00-851763	Wire Harness – Elements	1	1	1
*	00-854304-00022	Flat Washer, ⁵ / ₁₆ x 1-1/2 OD	4	4	4
*	00-855144	Relief Valve Extension	1	1	1

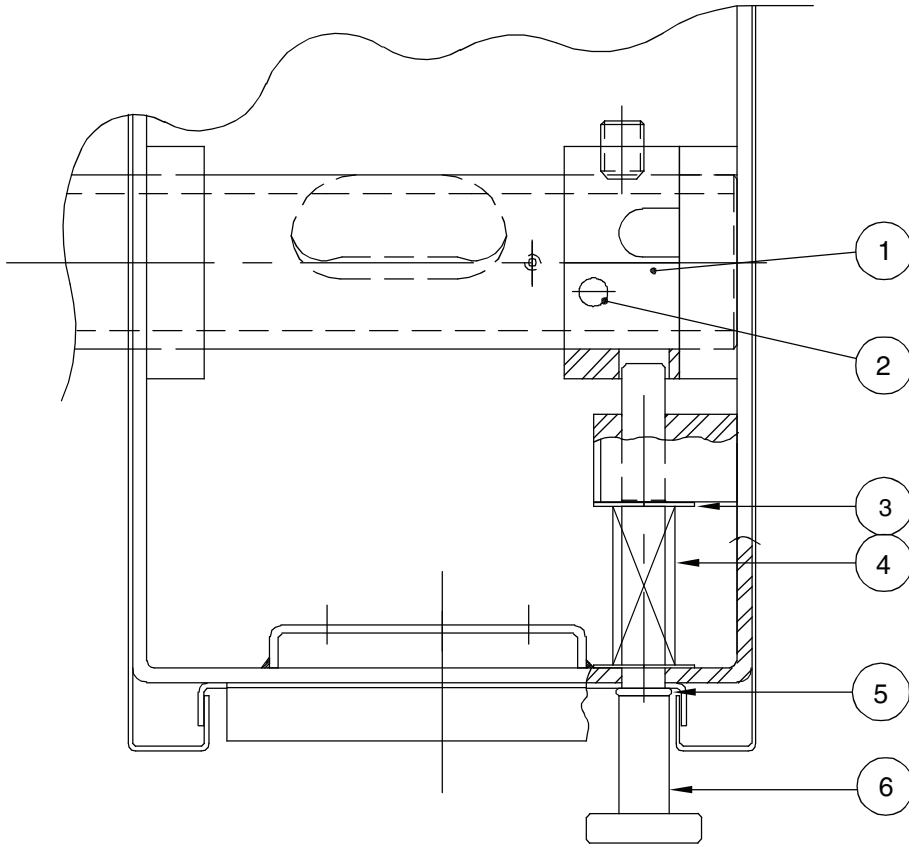
* Not Shown in Exploded View



REPLACEMENT PARTS LIST

ILLUS. Figure 2	PART NO.	NAME OF PART	AMT.		
			VEC6	VEC10	VEC12
1	00-836964	Handle Knob	1	1	1
2	00-836935	Tilt Handle	1	1	1
3	00-851373	Acorn Nut, 3/8" - 16 UNC	1	1	1
4	00-857212	Gasket	1	1	1
5	00-851567	Console Cover Gasket	1	1	1
6	00-855254	Pontentiometer (Complete w/Wires and Push On Terminals)	1	1	1
7	00-881995	Knob	1	1	1
8	00-853152	Temperature Pilot (Red)	1	1	1
9	00-855765	Power Switch	1	1	1
10	00-855444	Low Water Pilot (Amber)	1	1	1
11	00-881960	Liquid Level Control	1	1	1
12	00-853156	Gasket (Trunnion Box Cover)	1		
	00-850073	Screw, 10-32 X 1/2	2	2	2
13	00-881986	Element Assy. (7.5 kW, 208 V)	1		
	00-881989	Element Assy. (7.5 kW, 220/380 V)	1		
	00-881988	Element Assy. (7.5 kW, 240/416 V)	1		
	00-881990	Element Assy. (7.5 kW, 480 V)	1		
	00-881996	Element Assy. (12 kW, 208V)	1	1	1
	00-881997	Element Assy. (12 kW, 220/380 V)	1	1	1
	00-881998	Element Assy. (12 kW, 240/416 V)	1	1	1
	00-881999	Element Assy. (12 kW, 480 V)	1	1	1
14	00-840501	Element Gasket	1		
	00-881969	Element Gasket	1	1	1
15	SC-041-09	Hex Screw, 9/16" - 18 NC X 1/2 Zinc	1	1	1
*	00-850431	Faucet Bracket (Optional)	1	1	1
*	00-881976	Transformer (380/416 V - 120 V, 50/60 Hz, 100 VA)	1	1	1
	00-881978	Transformer (480V - 120 V, 60 Hz, 100 VA)	1	1	1
	00-851938	Transformer (600V-120V, 60 Hz, 100 VA)	1	1	1
*	00-850177	Fuse (250V, 3-amp) (208-240 V Units)	2	2	2
	00-857497	Fuse (1/2-amp, 600V) (380-600V Units)	2	2	2
*	00-853957	Fuse Holder (208-240 V Units)	2	2	2
	00-853957	Fuse Holder (220/380 V and 240/415 V Units)	1	1	1
	00-850489	Fuse Holder (380-600 V Units)	1	1	1

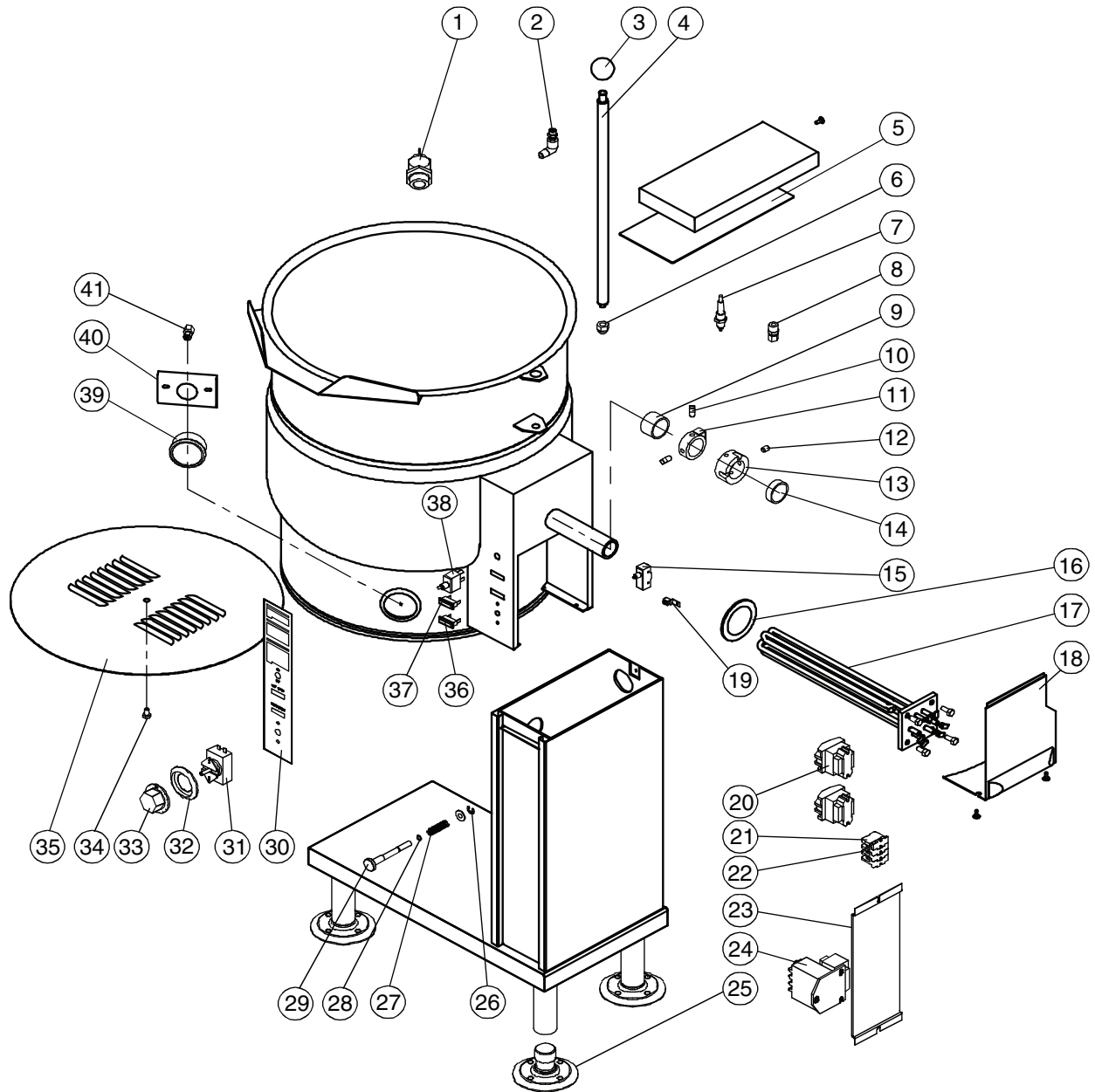
* Not Shown in Exploded View



REPLACEMENT PARTS LIST

ILLUS. Figure 3	PART NO.	NAME OF PART	AMT.		
			VEC6	VEC10	VEC12
1	00-855774	Cam Collar	1	1	1
2	00-857084	Spring Pin, 1/4 Diameter X 2-1/4" Long	1	1	1
3	00-840484	Ring , Retaining	1	1	1
4	00-855750	Spring	1	1	1
5	00-842950	O-Ring	1	1	1
6	00-851648	Locking Pin	1	1	1

REPLACEMENT PARTS VEC SERIES 2/3 JACKETED ELECTRIC KETTLES



REPLACEMENT PARTS LIST

ILLUS.	PART NO.	NAME OF PART	AMT. VEC20
1	00-844492	Relief Valve, 50 PSI	1
	00-855144	Down Tube	1
2	00-881961	Air Vent Assy.	1
3	00-836964	Phenolic Knob	1
4	00-855781	Handle	1
5	00-851567	Console Cover Gasket	1
6	00-855782	Acorn Nut, 1/2 - 13 NC	1
7	00-881981	Probe	1
8	00-844401	Thermostat Probe Fitting	1
9	00-843788	Inner Bearing	1
10	00-854936	Set Screw, 3/8 - 16 X 1/2"	2
11	00-851392	Actuating Collar	1
12	00-854936	Hex Socket Set Screw, 3/8 - 16 X 1/2"	1
	00-857884	Spring Pin 1/4 X 2-1/4" LG	1
13	00-855774	Cam Collar	1
14	00-843777	Outer Bearing	1
15	00-881971	Interlock Switch	1
16	00-881969	Element Gasket	1
17	00-881996	Element Assy. (208 V, 12 kW)	1
	00-881997	Element Assy. (220/380 V, 12 kW)	1
	00-881998	Element Assy. (240/415 V, 12 kW)	1
	00-881999	Element Assy. (480 V, 12 kW)	1
18	00-855506	Trunnion Box Cover	1
19	00-844367-00008	Ground Lug	1
20	00-881975	Contactors (208, 240 V)	2
	00-881975	Contactors (380, 416, 480, 600 V)	1
21	00-843969	Terminal Block End Section	1
22	00-840511	Terminal Block Section	3
23	00-851352	Component Mounting Plate	1
24	00-881960	Liquid Level Control	1
25	00-836958	Flanged Adjustable Feet	4
26	00-840484	Retaining Ring	1
27	00-855750	Spring	1
28	00-842950	O-Ring	1
29	00-851648	Locking Pin	1
30	00-852055	Control Decal	1
31	00-881973	Thermostat	1
32	00-844367-00005	Bezel	1
33	00-836968	Dial	1
34	00-842951	Bolt	1
35	00-854018	Bottom Cover	1
36	00-881972	Pilot Light (Square)	1
37	00-881972	Pilot Light (Square)	1
38	00-855765	Power Switch	1
39	00-881979	Pressure Gauge	1
40	00-836938	Mounting Bracket - Pressure Gauge	1
41	00-844528	Connector, 1/4" C X 1/4" FP	1
*	00-844531	Pressure Gauge Kettle Fitting	1
*	00-881976	Transformer (380 V / 240 V, 100VA)	1
	00-881976	Transformer (416 V / 240 V, 100VA)	1
*	00-881978	Transformer (480 V / 240 V, 100VA)	1
	00-851938	Transformer (600 V / 240 V, 100VA)	1
*	00-850177	Fuse (250V, 3-amp) (208-240V Units)	2
	00-857497	Fuse (600V, 1/2-amp) (380-600V Units)	2
*	00-853957	Fuse Holder (208 - 240 V Units)	2
	00-850489	Fuse Holder (600V) (380-600 V Units)	2
*	00-854429	Harness, Wiring	1

* Not Shown in Exploded View

**RECOMMENDED SPARE PARTS
VEC10/20**

PART NO.	NAME OF PART	AMT.
00-844492	Relief Valve (50 lb.)	2
00-881970	Power Switch	2
00-881971	Interlock Switch	2
00-881960	Liquid Level Control	2
00-881975	Contactora	2
00-881969	Element Gasket	2
00-881981	Probe	2
00-881993	Temperature Controller (VEC6, 10, 12)	2
00-855254	Remote Potentiometer (VEC6, 10, 12)	2
00-881996	Element (208V) (12Kw) (VEC10/20)	2
00-881998	Element (240V) (12Kw) (VEC10/20)	2
00-881999	Element (480V) (12 Kw) (VEC10/20)	2
00-881973	Thermostat (VEC20)	2
00-836968	Thermostat Knob (VEC20)	2
00-881994	Temperature Sensor	2