

VULCAN

CATALOG OF REPLACEMENT PARTS

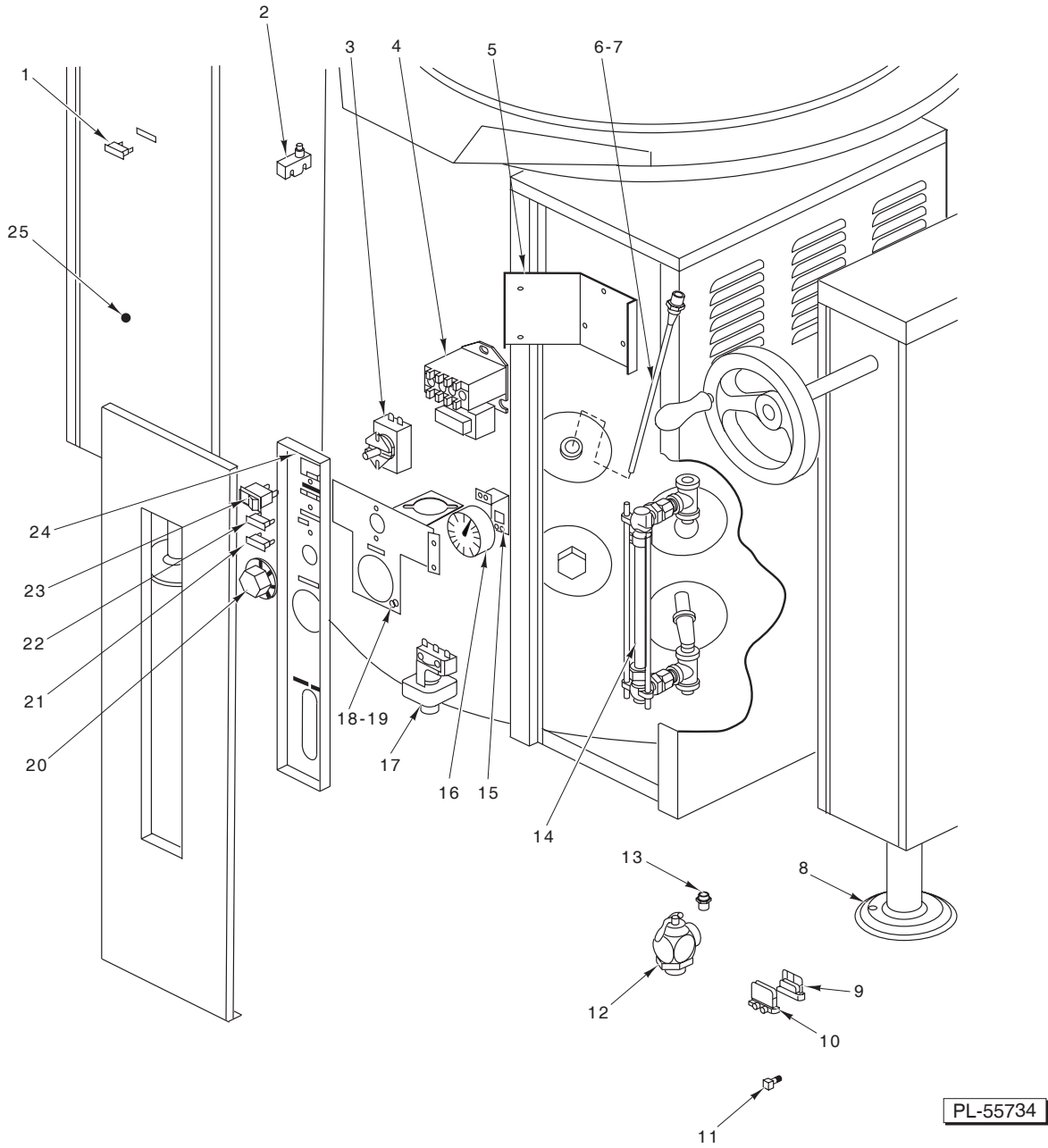
GAS TILTING KETTLES

MODEL

VGLT-20	ML-52994
VGLT-30	ML-114955
VGLT-40	ML-52995
VGLT-60	ML-52996



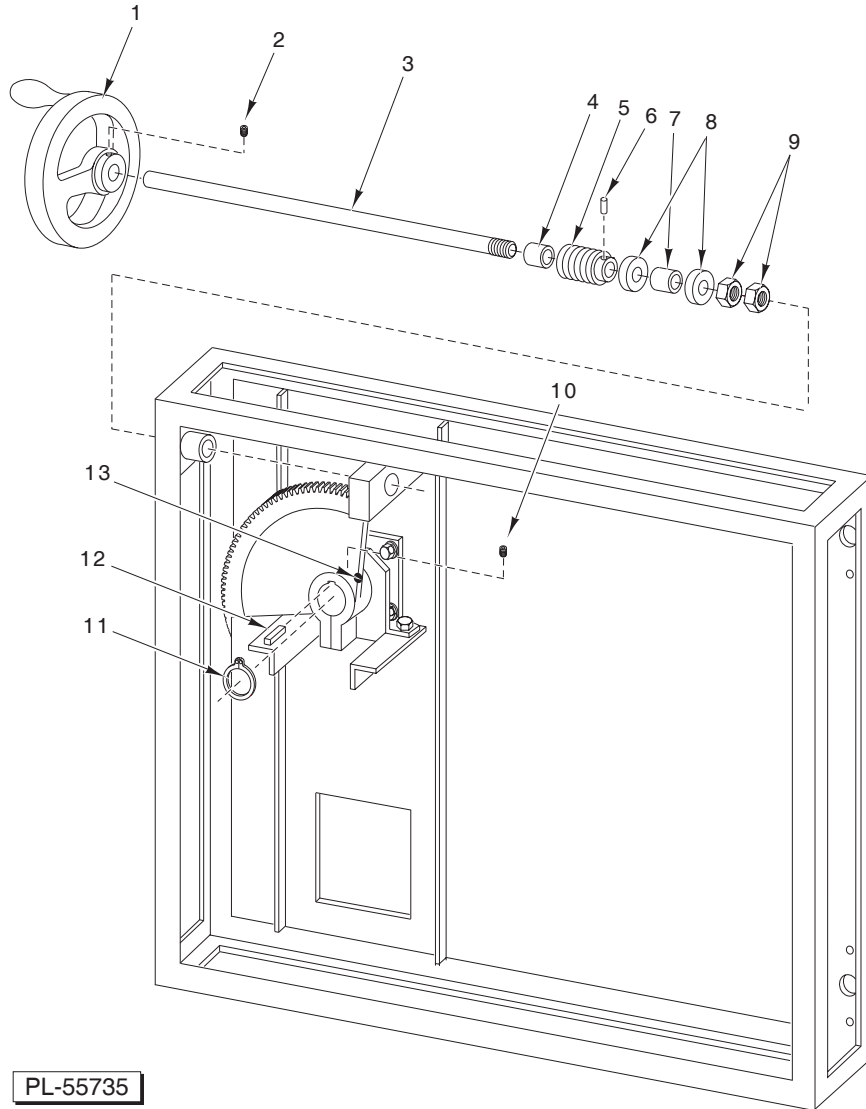
For additional information on Vulcan-Hart Company or to locate an authorized parts and service provider in your area, visit our website at www.vulcanhart.com



CONTROLS AND COMPONENTS

CONTROLS AND COMPONENTS

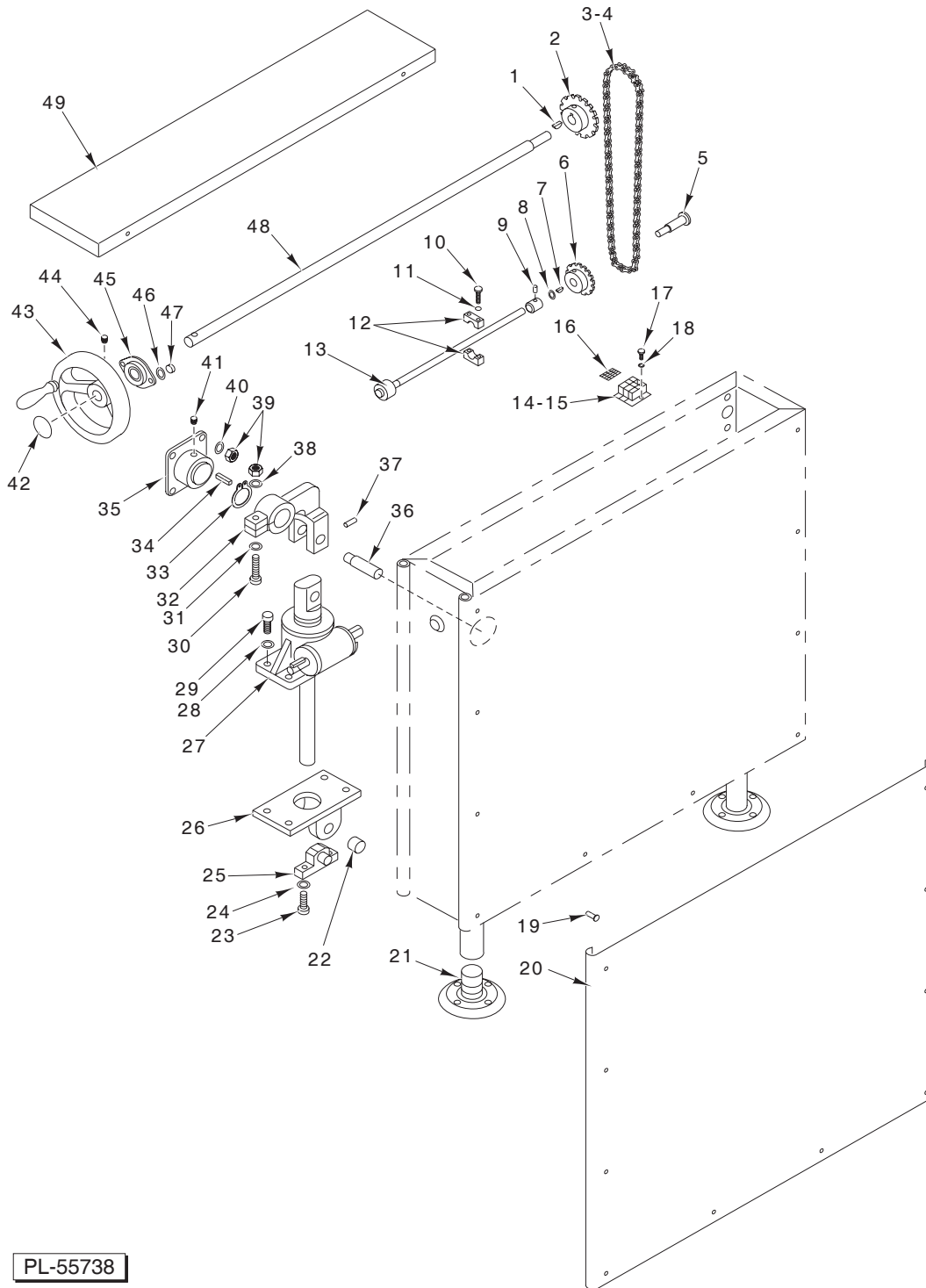
ILLUS.	PART NO.	NAME OF PART	AMT.
PL-55734			
1	00-850589	Pilot Light – Green (24 V.)	1
2	00-881971	Interlock Switch	1
3	00-844483	Thermostat	1
4	00-853021	L.W. Cut Off (PC Board) (Current Construction)	1
5	00-844482	L.W. Mounting Bracket	1
6	00-851572	Probe (20 & 40 Gallon)	1
7	00-851572	Probe (60 Gallon)	1
8	00-836958	Flanged Foot	4
9	00-840511	Terminal Block	2
10	00-843969	End Section	1
11	00-844493	Ground Lug	1
12	00-844492	Relief Valve (50 PSI)	1
13	00-881961	Vent	1
14	00-854273	Sight Glass Assy.	1
15	00-844488	Pressure Gauge Bracket	1
16	00-881979	Pressure Gauge	1
17	00-844322	Pressure Switch	1
18	00-844489	Mounting Bracket (20, 30, & 40 Gallon)	1
19	00-844490	Mounting Bracket (60 Gallon)	1
20	00-844487	Dial	1
21	00-844486	Pilot Light – Amber	1
22	00-844485	Pilot Light – Red	1
23	00-844321	Power Switch	1
24	00-844484	Poly Panel	1
25	00-844481	Label – Instruction	1
	00-850216	Cover (20 Gallon Kettle)	1
	00-850217	Cover (30 & 40 Gallon Kettle)	1
	00-844424	Cover (60 Gallon Kettle)	1
	00-844319	L.W. Cut Off (Mechanical) (Previous Construction)	1
	00-856601	Bottom Cover VGLT20	1
	00-854293	Bottom Cover VGLT60	1
	00-851018	Control Panel Cover (VGLT20, 30, 40)	1
	00-851020	Control Panel Cover (VGLT60)	1



**TILTING MECHANISM
(FOR 20, 30, 40, & 60 GALLON UNITS)
(PREVIOUS CONSTRUCTION)**

**TILTING MECHANISM
(FOR 20, 30, 40, & 60 GALLON UNITS)
(PREVIOUS CONSTRUCTION)**

ILLUS.	PART NO.	NAME OF PART	AMT.
PL-55735			
1	00-881962	Handwheel	1
2	00-853253	Set Screw	1
3	00-854316	Tilt Shaft	1
4	00-844455	Bushing	1
5	00-855086	Worm & Segment Gear Kit	1
6	00-836952	Tension Pin	1
7	00-844455	Bushing	1
8	00-881963	Thrust Bearing	2
9	00-844456	Jam Nut	2
10	00-853489	Set Screw	1
11	00-844457	Retaining Ring	1
12	00-850166	Key	1
13	00-855086	Worm & Segment Gear Kit	1



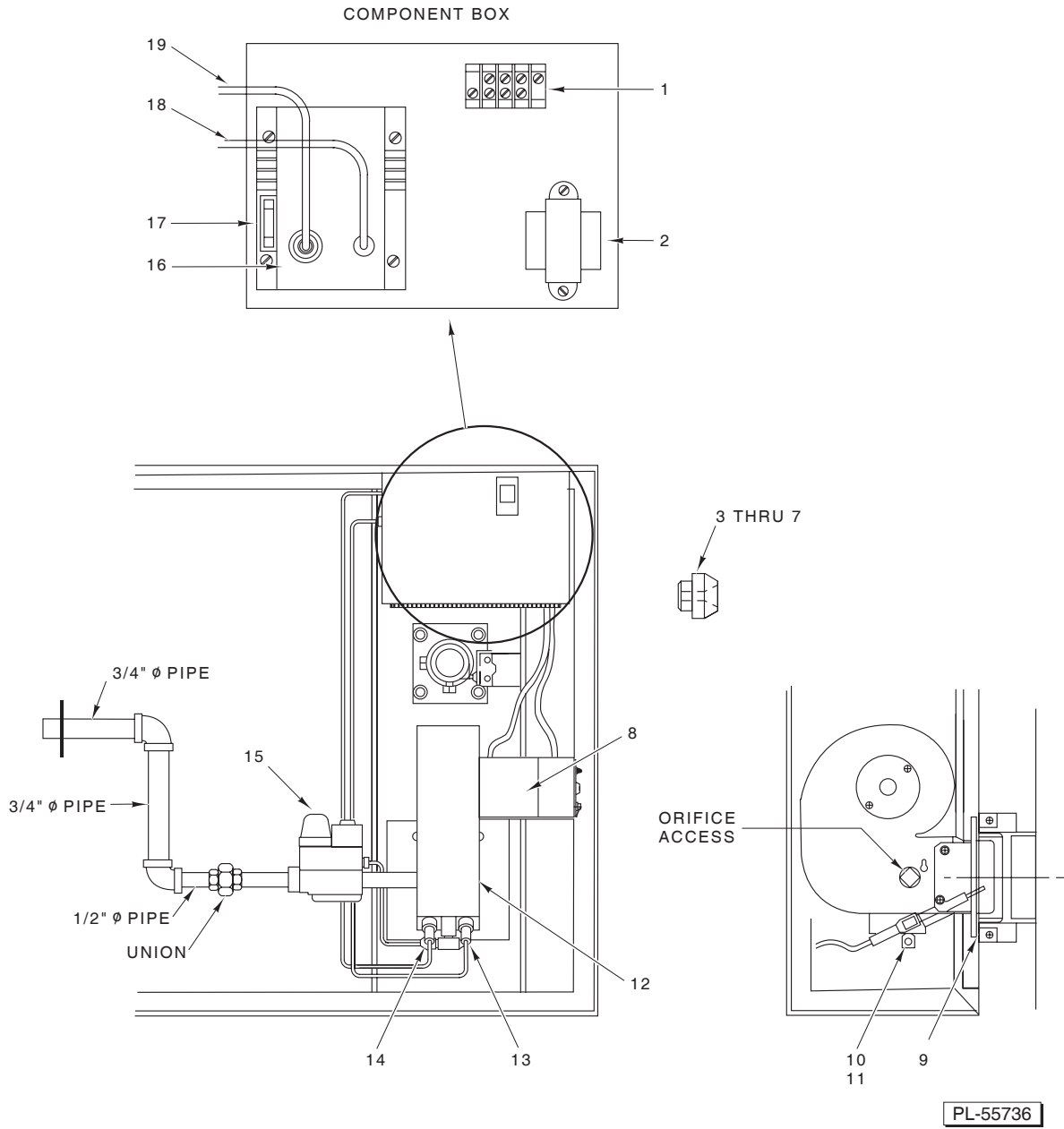
PL-55738

**TILT CONSOLE AND PARTS
(CURRENT CONSTRUCTION)
STARTING WITH S/N AP1028722 (30 GALLON),
AP1028441 (40 GALLON), AP1028356 (60 GALLON)**

**TILT CONSOLE AND PARTS
(CURRENT CONSTRUCTION)
STARTING WITH S/N AP1028722 (30 GALLON),
AP1028441 (40 GALLON), AP1028356 (60 GALLON)**

ILLUS. PL-55738	PART NO.	NAME OF PART	AMT.
1	00-854304-00027	Key	1
2	00-854304-00030	Sprocket	1
3	00-854304-00031	Chain	1
4	00-854304-00008	Link	1
5	00-854304-00029	Shaft – Output	1
6	00-854304-00028	Sprocket	1
7	00-854304-00027	Key	1
8	00-854304-00026	Retaining Ring	1
9	00-854304-00025	Set Screw 1/4-28 x 3/8	1
10	00-854304-00015	Self-Tapping Screw 10-32 x 1 1/4 Phil. Truss Hd.	2
11	00-854304-00014	Washer	2
12	00-854304-00024	Shaft Guide	2
13	00-854304-00023	Flexible Shaft Assy.	1
14	00-840511	Terminal Block	2
15	00-843969	End Section	1
16	00-852016	Earth ID Tag	1
17	00-854304-00016	Self-Tapping Screw 8-32 x 1/4 Slotted Rd. Hd.	3
18	00-854304-00017	Washer #8 External	3
19	00-850073	Self-Tapping Screw 10-32 x 1/2 Slotted Truss Hd.	10
20	00-854304-00013	Side Panel	1
21	00-836958	Adjustable Foot	2
22	00-854304-00012	Bearing	2
23	00-854304-00007	Cap Screw 3/8-16 x 1 1/4 Hex Hd.	4
24	00-854304-00005	Washer	AR
25	00-854304-00011	Base Bracket Assy.	1
26	00-854304-00010	Base Assy.	1
27	00-854304-00009	Screw Jack	1
28	00-854304-00005	Washer	AR
29	00-854304-00007	Cap Screw 3/8-16 x 1 1/4 Hex Hd.	4
30	00-854304-00006	Cap Screw 3/8-16 x 2 1/8 Hex Hd.	1
31	00-854304-00005	Washer	AR
32	00-854304-00004	Arm	1
33	00-844457	Retaining Ring	1
34	00-850166	Key	1
35	00-851738	Trunnion Housing Assy.	1
36	00-854304-00018	Pin	1
37	00-854304-00019	Set Screw 1/4-20 x 1/2 Soc. Hd.	1
38	00-854304-00020	Lockwasher 3/8	AR
39	00-853310	Nut 3/8-16 Hex	7
40	00-854304-00020	Lockwasher 3/8	AR
41	00-854304-00021	Grease Fitting	1
42	00-851360	Tilt Label	1
43	00-881962	Handwheel	1
44	00-853253	Set Screw	1
45	00-854304-00002	Front Bearing	1
46	00-854304-00022	Washer	2
47	NS-015-16	Nut 5/16-18 Hex	2
48	00-854304-00003	Tilt Shaft	1
49	00-854304-00001	Console Cover	1

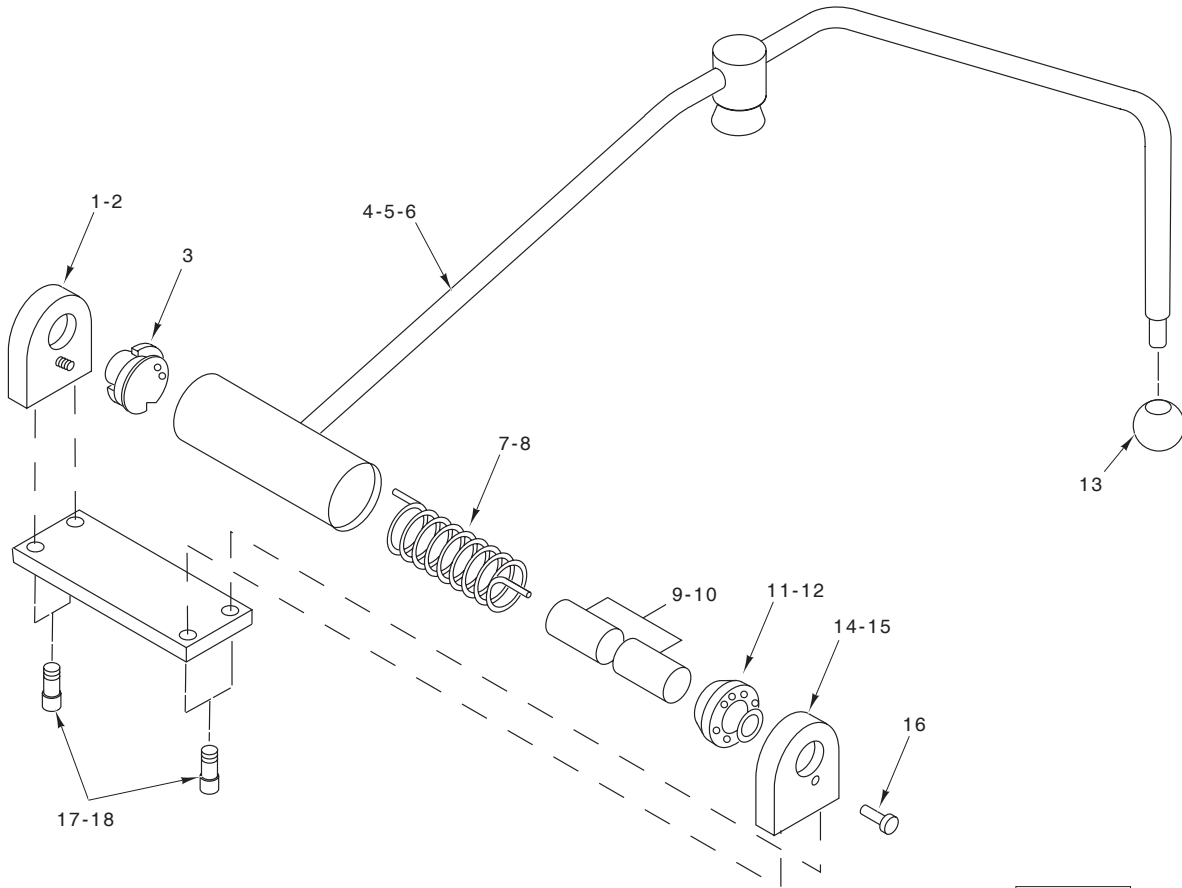
GAS TILTING KETTLES REPLACEMENT PARTS



GAS COMPONENTS

GAS COMPONENTS

ILLUS.	PART NO.	NAME OF PART	AMT.
PL-55736			
1	00-850199	Terminal Block	1
2	00-850200	Transformer	1
3	00-850207	Orifice #23 (20 Gallon) (Natural Gas)	1
4	00-850208	Orifice #17 (30 & 40 Gallon) (Natural Gas)	1
5	00-850209	Orifice #12 (60 Gallon) (Natural Gas)	1
6	00-850211	Orifice #32 (30 & 40 Gallon) (LP Gas)	1
7	00-850212	Orifice #28 (60 Gallon) (LP Gas)	1
8	00-850202	Motor (120 V.)	1
9	00-850206	Gasket	1
10	00-853546-00002	Orifice Tee #55 (Natural Gas)	1
11	00-853546	Orifice Tee #58 (LP Gas)	1
12	00-851008	Complete Burner Assy.	1
13	00-850412	Ignitor (Sensor)	1
14	00-850412	Ignitor	1
15	00-850201	Gas Regulator	1
16	00-850198	Direct Spark Ignitor Module	1
17	00-850177	Fuse (3 Amp.) (250 V.)	1
18	00-851642	Sensor Cable	1
19	00-850197	Ignition Cable	1
	00-855519	Blower Wheel (VGLT60)	1
	00-850442	Burner Box (VGLT60)	1
	00-852957	Burner Box (VGLT20)	1
	00-851837	Burner Box (VGLT30, VGLT40)	1

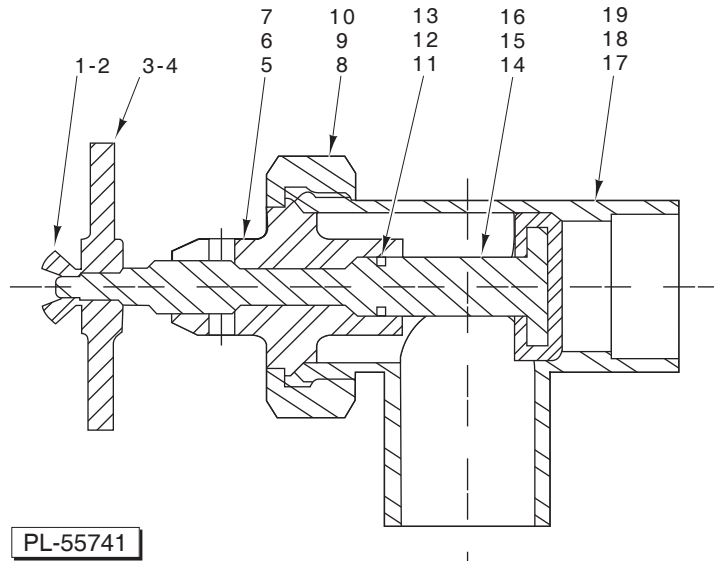


PL-55737

SPRING ASSIST HINGE ASSEMBLY

SPRING ASSIST HINGE ASSEMBLY

ILLUS.	PART NO.	NAME OF PART	AMT.
PL-55737			
1	00-836993	End Stop Plate (20, 30, & 40 Gallon)	1
2	00-836993	End Stop Plate (60 Gallon)	1
3	00-836983	Rotary Disc	1
4	00-850213	Handle Assy. (20 Gallon)	1
5	00-850214	Handle Assy. (30 & 40 Gallon)	1
6	00-850215	Handle Assy. (60 Gallon)	1
7	00-844367-00035	Spring (20, 30, & 40 Gallon)	1
8	00-836990	Spring (60 Gallon)	1
9	00-844367-00034	Cores (20, 30, & 40 Gallon)	2
10	00-836989	Cores (60 Gallon)	2
11	00-836979	Stationary Disc (20, 30, & 40 Gallon)	1
12	00-836988	Stationary Disc (60 Gallon)	1
13	00-836964	Knob	1
14	00-836978	End Lock Plate (20, 30, & 40 Gallon)	1
15	00-844367-00040	End Lock Plate (60 Gallon)	1
16	00-836986	Lock Pin	1
17	00-844367-00036	Cap Screws (20, 30, & 40 Gallon)	4
18	SC-041-10	Cap Screws (60 Gallon)	4
	00-844459	Hinge Assy. (20, 30, & 40 Gallon) (Incls. Items 1, 3, 4, 5, 7, 9, 11, 13, 14, 16, & 17)	1
	00-844461	Hinge Assy. (60 Gallon) (Incls. Items 2, 6, 8, 10, 12, 15, & 18)	1



DRAW OFF VALVE ASSEMBLY

ILLUS.	PART NO.	NAME OF PART	AMT.
	PL-55741		
1	00-836939	Wing Nut 10-24 (1 1/2 In. & 2 In. Draw Off Valve Assy.)	1
2	00-836940	Acorn Nut - 7/16-14 (3 In. Draw Off Valve Assy.)	1
3	00-836967	Handle (SST) (1 1/2 In. & 2 In. Draw Off Valve Assy.)	1
4	00-836942	Handle (SST) (3 In. Draw Off Valve Assy.)	1
5	00-836946	Bonnet (1 1/2 In. Draw Off Valve Assy.)	1
6	00-836947	Bonnet (2 In. Draw Off Valve Assy.)	1
7	00-836948	Bonnet (3 In. Draw Off Valve Assy.)	1
8	00-836943	Gland Nut (1 1/2 In. Draw Off Valve Assy.)	1
9	00-836944	Gland Nut (2 In. Draw Off Valve Assy.)	1
10	00-836945	Gland Nut (3 In. Draw Off Valve Assy.)	1
11	00-836966	O-Ring (1 1/2 In. Draw Off Valve Assy.)	1
12	00-836953	O-Ring (2 In. Draw Off Valve Assy.)	1
13	00-836954	O-Ring (3 In. Draw Off Valve Assy.)	1
14	00-850218	Stem Assy. (1 1/2 In. Draw Off Valve Assy.)	1
15	00-836950	Stem Assy. (2 In. Draw Off Valve Assy.)	1
16	00-836951	Stem Assy. (3 In. Draw Off Valve Assy.)	1
17	00-836955	Valve Body (1 1/2 In. Draw Off Valve Assy.)	1
18	00-836956	Valve Body (2 In. Draw Off Valve Assy.)	1
19	00-836957	Valve Body (3 In. Draw Off Valve Assy.)	1
	00-851291	Draw Off Valve Complete (1 1/2")	1
	00-851293	Draw Off Valve Complete (2")	1
	00-851294	Draw Off Valve Complete (3")	1
	00-851561	Perforated Strainer (1 1/2" Draw Off Valve)	1
	00-850593	Perforated Strainer (2" Draw Off Valve)	1
	00-840554	Perforated Strainer (3" Draw Off Valve)	1

RECOMMENDED SPARE PARTS

PART NO.	NAME OF PART	AMT.
00-851572	Probe (20, 30, 40 Gallon)	1
00-854294-00002	Probe (60 Gallon)	1
00-844319	Low Water Cut Off (Mechanical)	1
00-853021	Low Water Cut Off (PC Board)	1
00-844483	Thermostat	1
00-844487	Thermostat Knob	1
00-844321	Power Switch	2
00-850198	Ignition Module	1
00-881991	Fuse (3-amp 25V)	2
00-881992	Fuse Holder	2
00-844322	Pressure Switch	1
00-850207	Burner Orifice (Nat. Gas) (20 Gallon) (#23)	2
00-850210	Burner Orifice (L.P. Gas) (20 Gallon) (#36)	2
00-850208	Burner Orifice (Nat. Gas) (30/40 Gallon) (#17)	2
00-850211	Burner Orifice (LP. Gas) (30/40 Gallon) (#32)	2
00-850209	Burner Orifice (Nat. Gas) (60 Gallon) (#12)	2
00-850212	Burner Orifice (L.P. Gas) (60 Gallon) (#28)	2
00-844492	Pressure Relief Valve (50 lb.)	1
00-881979	Pressure Gauge	1
00-854273	Sight Glass Assy.	1
00-881962	Air Vent	1
00-850200	Transformer	1
00-844327	Purge Relay	1
00-844485	Red Cooking Light	1
00-844486	Amber Low Water Light	1