

VULCAN

CATALOG OF REPLACEMENT PARTS

VGTS SERIES GAS TILTING BRAISING PANS

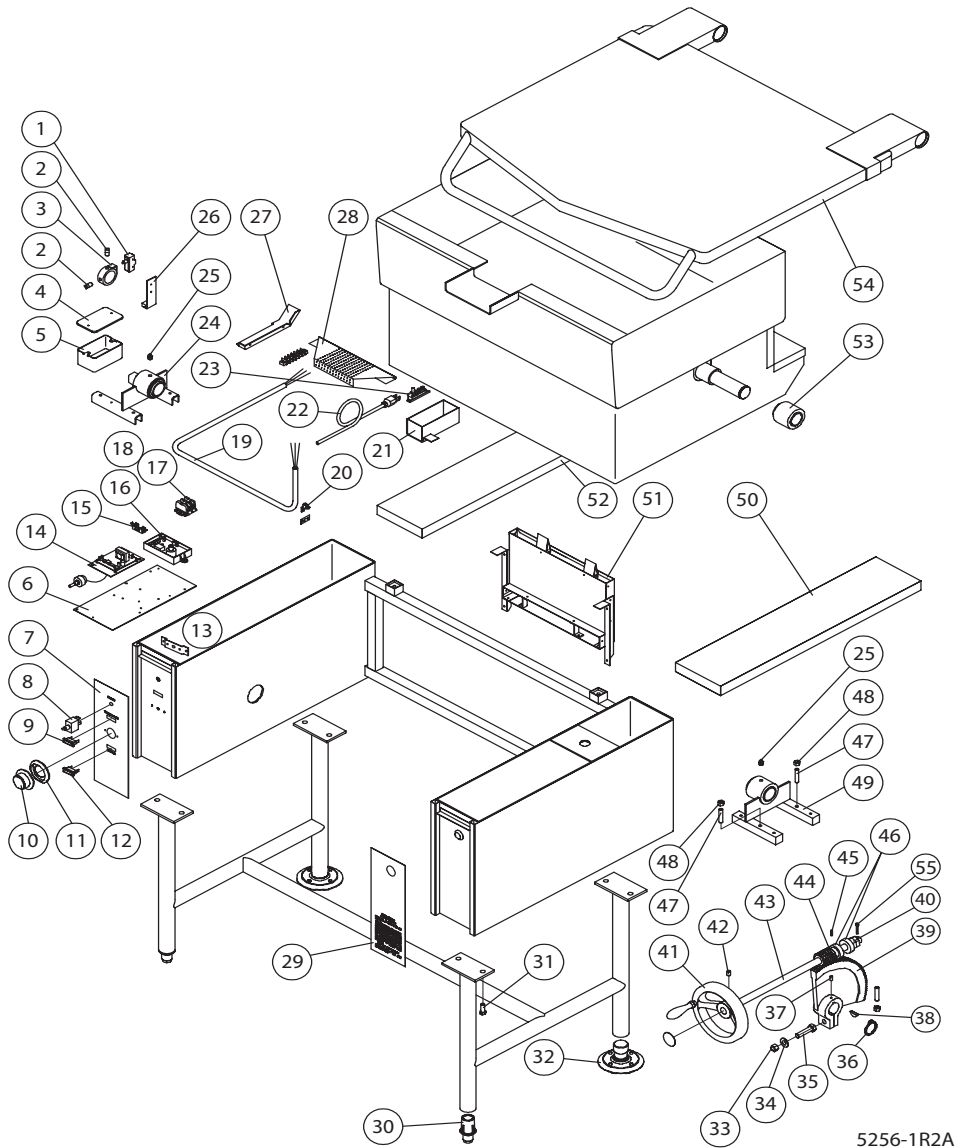
MODELS

VGTS30 ML-52495
VGTS40 ML-52493
w/o Pan Supports

VGTS30 ML-52496
VGTS40 ML-52494
with Pan Supports



For additional information on Vulcan-Hart Company or to locate an authorized parts and service provider in your area, visit our website at www.vulcanhart.com



5256-1R2A

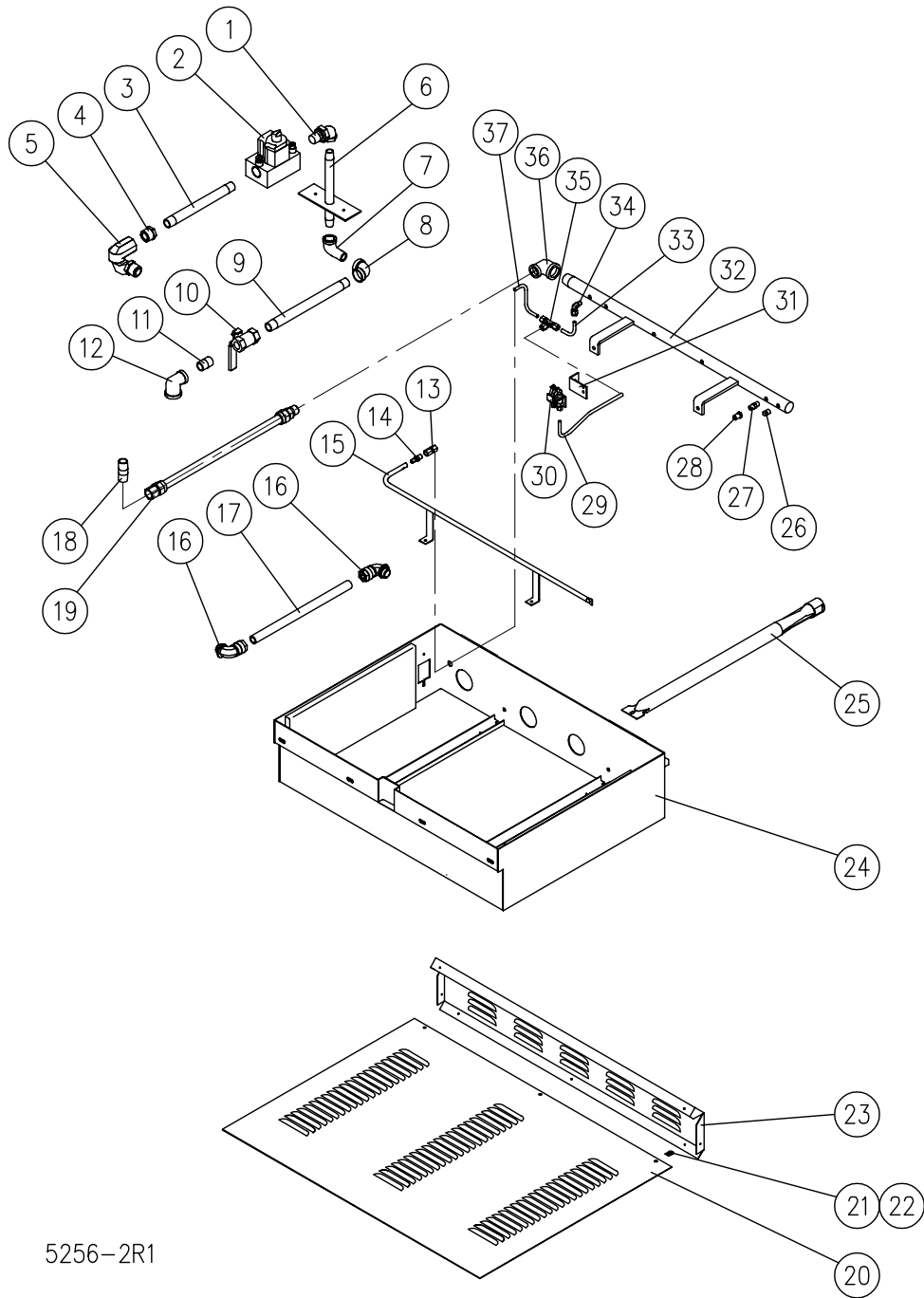
**MODELS VGTS30 & VGTS40
EXTERIOR ILLUSTRATION**

ILLUS.	PART NO.	NAME OF PART	AMT.	
			VGTS30	VGTS40
1	00-881971	Microswitch	1	1
2	00-854936	Square Head Set Screw, 3/8 - 16 x 1/2	2	2
3	00-851392	Actuator Collar (8-3087)	1	1
4	00-854937	Electrical Box Cover	1	1
5	00-854938	Electrical Box	1	1
6	00-851770	Component Mounting Plate	1	1
7	00-854939	Console Decal (9-3283)	1	1
8	00-881970	Power Switch	1	1
	00-854940	Rubber Boot	1	1
	00-840508	Power Switch (Glow Coil System) (Prior to May 4, 2001)	1	1
9	00-844485	Pilot Light, Temp. 120V	1	1
*10	00-851401	Dial F°	1	1
11	00-844367-00005	Bezel	1	1
12	00-854941	Pilot Light - Ignition, 125V	1	1

GAS TILTING BRAISING PAN REPLACEMENT PARTS

ILLUS.	PART NO.	NAME OF PART	AMT.	
			VGTS30	VGTS40
13	00-851397	Potentiometer Spacer	1	1
14	00-853196	Thermostat Complete with Pot	1	1
15	00-853957	Fuse Holder	1	1
	00-850177	Fuse 250V, 3 Amp	1	1
16	00-854064	Ignition Module (Direct Spark System)	1	1
	00-854051	Ignition Module Wire Harness (Direct Spark System)	1	1
	00-851540	Ignition Module (Glow Coil System) (Prior to May 4, 2001)	1	1
	00-844367-00060	Wire Harness (Glow Coil System) (Prior to May 4, 2001)	1	1
17	00-840511	Terminal Block	3	3
18	00-843969	End Section	1	1
19	00-853447	Brass Tube Complete with Thermocouple, Hi Temp (VGTS40)	1	1
	00-853503	Brass Tube Complete with Thermocouple, Hi Temp (VGTS30)	1	1
20	00-844367-00008	Ground Lug	1	1
21	00-853338	Hi Limit Cover Assembly	1	1
22	00-851389	Cord Set, 120V	1	1
23	00-844367-00064	Hi Limit Switch	1	1
24	00-854356	Trunnion Housing Assembly	1	1
25	00-854942	Grease Fitting	1	1
26	00-851772	Limit Switch Bracket	1	1
27	00-853998	Terminal Block Enclosure	1	1
28	00-844367-00028	Strainer (2672-1)	1	1
29	00-850150	Console Decal	1	1
30	00-840590	Adjustable Foot	2	2
31	00-851912	Bolt, 3/8 - 16 x 1	8	8
32	00-854943	Adjustable Flanged Feet	2	2
33	00-854944	Hex Nut, 1/2 - 13	1	1
34	00-854945	Lock Washer, 1/2	1	1
35	00-854946	Hex Bolt, 1/2 - 13 x 2	1	1
36	00-844457	Spring Clip	1	1
37	00-853253	Set Screw, 3/8 - 16 x 1/2	1	1
38	00-850166	Key	1	1
39	00-855086	Worm plus Segment Gear Kit	1	1
40	00-844456	Jam Nuts	2	2
41	00-881962	Hand Wheel	1	1
42	00-853253	Set Screw, 3/8 - 16 x 1/2	1	1
43	00-854316	Tilt Shaft	1	1
44	00-855086	Worm plus Segment Gear Kit	1	1
45	00-836952	Roll Pin	1	1
46	00-854947	Thrust Bearing	2	2
47	00-854948	Set Screw, 3/8 - 16 x 1-1/2	2	2
48	00-853310	Hex Nut, 3/8 - 16	2	2
49	00-854355	Trunnion Housing Assembly	1	1
*50	00-850091	Right Hand Console Cover	1	1
	00-850090	Right Hand Console Cover for Faucet (Optional)	1	1
51	00-851710	Flue Assembly	1	1
	00-851809	Flue Assembly	1	1
52	00-854949	Left Hand Console Cover	1	1
53	00-854950	Spacer	2	2
54	00-854358	Pan Cover Assembly	1	1
	00-854951	Pan Cover Assembly	1	1
55	00-853309	Set Screw, 3/8 - 16 x 1-3/4	1	1
	00-850687	Thermocouple - 48" (Extension)	1	1
	00-850686	Thermocouple - VGTS30	1	1
	00-850688	Thermocouple - VGTS40	1	1
	00-854952	Transformer and Fuse Mounting Bracket	1	1
	00-854935	Transformer, 220/240 - 120V (Direct Spark)	1	1
	00-881978	Transformer, 208/415 - 120V (Direct Spark)	1	1
	00-851580	Transformer (Glow Coil System) (Prior to May 4, 2001)	1	1
	00-853957	Fuse Holder	1	1
	00-850177	Fuse, 250V, 3 Amp	1	1

* SELECTAS REQUIRED

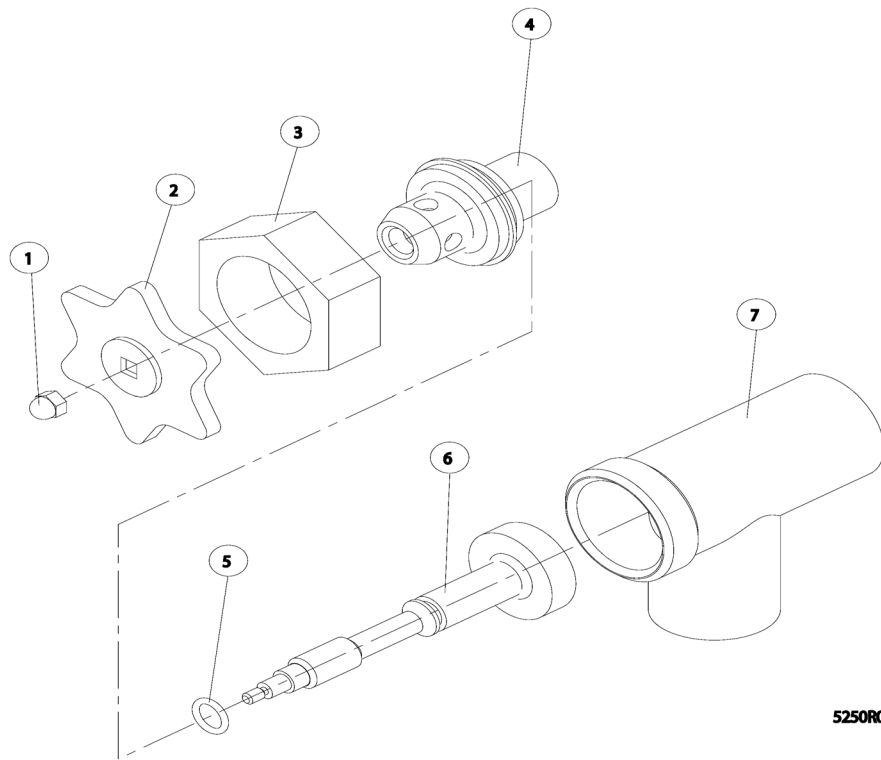


MODELS VGTS30 & VGTS40
INTERIOR ILLUSTRATION

**MODELS VGTS30 & VGTS40
INTERIOR ILLUSTRATION**

ILLUS. 5256-2R1	PART NO.	NAME OF PART	AMT.	
			VGTS30	VGTS40
1	00-842904	Union Elbow, 1/2"	1	1
*2	00-853401-00001	Combination Gas Control, 1/2, Natural Gas (Direct Spark)	1	1
	00-853401-00002	Combination Gas Control, 1/2, Liquid Propane Gas (Direct Spark)	1	1
3	00-854955	Nipple, 1/2 x 8"	1	1
4	00-854956	Reducing Bushing, 3/4 x 1/2	1	1
5	00-850151	Swivel Joint, 3/4 x 3/4	1	1
6	00-851771	Gas Inlet Assembly, 1/2"	1	1
7	00-854339	90° ST. Elbow, 1/2	1	1
8	00-854346	90° Elbow, 1/2	1	1
9	00-854957	Nipple, 1/2 x 9-1/2	1	1
10	00-844367-00059	Gas Shut Off Valve, 1/2"	1	1
11	00-851782	Close Nipple, 1/2	1	1
12	00-851781	90° Reducing Elbow, 3/4 x 1/2	1	1
13	00-854958	Connector, 1/4 C x 1/8 FPT	1	1
*14	00-844367-00070	Lighter Orifice, #56, Natural Gas	1	1
	00-844367-00072	Lighter Orifice, #72, Liquid Propane	1	1
15	00-851299	Lighter Tube Assembly	1	
	00-851330	Lighter Tube Assembly		1
16	00-854959	Liquid Tite Elbow, 3/8	2	2
17	00-854960	Liquid Tite Conduit, 3/8	1	1
18	00-854345	Nipple, 1/2 x 2	1	1
19	00-850152	Gas Flex Hose	1	1
20	00-854961	Bottom Cover	1	
	00-854962	Bottom Cover		1
21	00-854963	Speed Nut, 8-32	8	10
22	00-854964	Screw, 8-32	8	10
23	00-852963	Manifold Cover	1	
	00-850086	Manifold Cover		1
24	00-854359	Burner Box	1	
	00-854965	Burner Box		1
25	00-850138	Burner	4	6
26	00-854334	Pipe Plug, 1/8	1	1
27	00-854966	Orifice Nipple	4	6
*28	00-850173	Burner Orifice, Natural Gas	4	
	00-844367-00074	Burner Orifice, Liquid Propane	4	
	00-844367-00076	Burner Orifice, Liquid Propane Gas		6
	00-844367-00075	Burner Orifice, Natural Gas		6
29	00-854967	Burner Pilot Inlet Tube	1	1
*30	00-853932	Pilot Burner Complete w/Ignitor (.018), Natural Gas (Direct Spark)	1	1
	00-853933	Pilot Burner Complete w/Ignitor (.018), Liquid Propane Gas (Direct Spark)	1	1
31	00-854968	Pilot Mounting Bracket	1	1
32	00-854969	Manifold Assembly	1	
	00-854970	Manifold Assembly		1
33	00-854971	Manifold Outlet Tube	1	1
34	00-850010	90° Elbow, 1/4 C x 1/8 MPT	1	1
35	00-854972	Tee, 1/4 C	1	1
36	00-851781	90° Reducing Elbow, 3/4 x 1/2	1	1
37	00-854973	Orifice Inlet Tube	1	1
	00-853162	Ignitor (Glow Coil System) (Prior to May 4, 2001)		
	00-851223	Flame Sensor (Glow Coil System) (Prior to May 4, 2001)		
	00-844367-00047	Gas Regulator (Nat. Gas) (Glow Coil System) (Prior to May 4, 2001)		
	00-844367-00048	Gas Regulator (LP Gas) (Glow Coil System) (Prior to May 4, 2001)		
	00-844367-00049	Solenoid Valve (Glow Coil System) (Prior to May 4, 2001)		
	00-844367-00059	Gas Shut Off Valve (Glow Coil System) (Prior to May 4, 2001)		

*SELECTAS REQUIRED



5250R0

DRAW OFF VALVE ILLUSTRATION

1-1/2" DRAW OFF VALVE

ILLUS.	PART NO.	NAME OF PART	AMT.
5250R0	00-851291	1-1/2" Draw Off Valve Assembly	
1	00-854977	Acorn Nut 10-24 UNC	1
2	00-836967	Handle, Stainless Steel	1
3	00-836946	Bonnet	1
4	00-836943	Gland Nut	1
5	00-836966	"O" Ring	1
6	00-850218	Stem Assembly	1
7	00-836955	Valve Body	1

2" DRAW OFF VALVE

ILLUS.	PART NO.	NAME OF PART	AMT.
5250R0	00-851293	2" Draw Off Valve Assembly	
1	00-854977	Acorn Nut 10-24 UNC	1
2	00-836967	Handle, Stainless Steel	1
3	00-836947	Bonnet	1
4	00-836944	Gland Nut	1
5	00-836953	"O" Ring	1
6	00-836950	Stem Assembly	1
7	00-836956	Valve Body	1

3" DRAW OFF VALVE

ILLUS.	PART NO.	NAME OF PART	AMT.
5250R0	00-851294	3" Draw Off Valve Assembly	
1	00-836940	Acorn Nut, 7/16 - 14 UNC	1
2	00-836942	Handle, Stainless Steel	1
3	00-836948	Bonnet	1
4	00-836945	Gland Nut	1
5	00-836954	"O" Ring	1
6	00-830220	Stem Assembly	1
7	00-836957	Valve Body	1

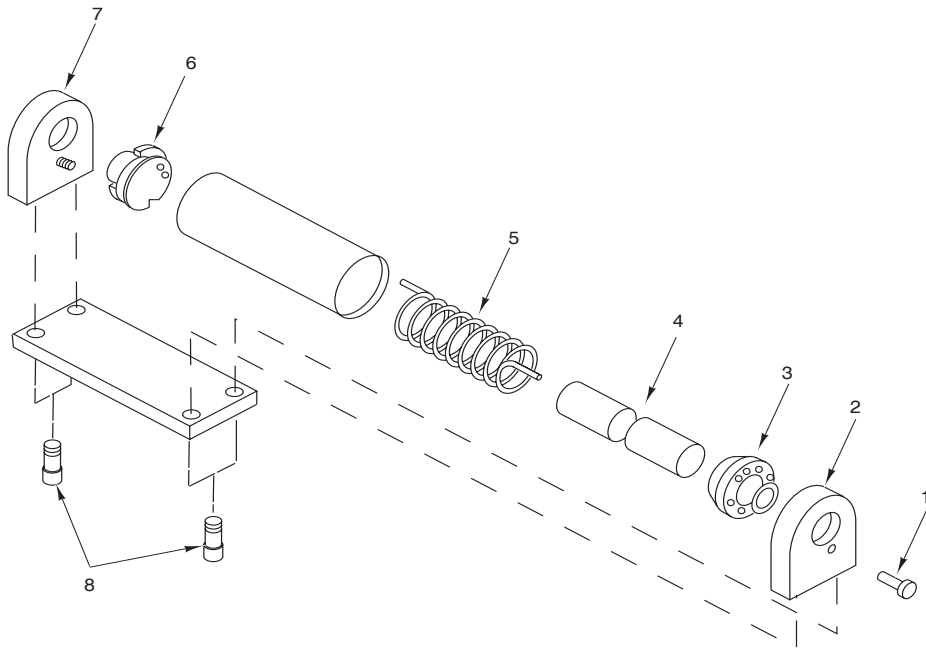


Figure 1

HINGE ASSEMBLY

ILLUS.	PART NO.	NAME OF PART	AMT.
Fig. 1	00-844461	Large Hinge Assembly	
1	00-836986	Lock Pin	1
2	00-844367-00040	End Lock Plate	1
3	00-854974	Stationary Disc	1
4	00-854975	Core	1
5	00-836990	Spring	1
6	00-854976	Rotary Disc	1
7	00-836993	End Stop Plate	1
8	00-844367-00044	Cap Screws	4