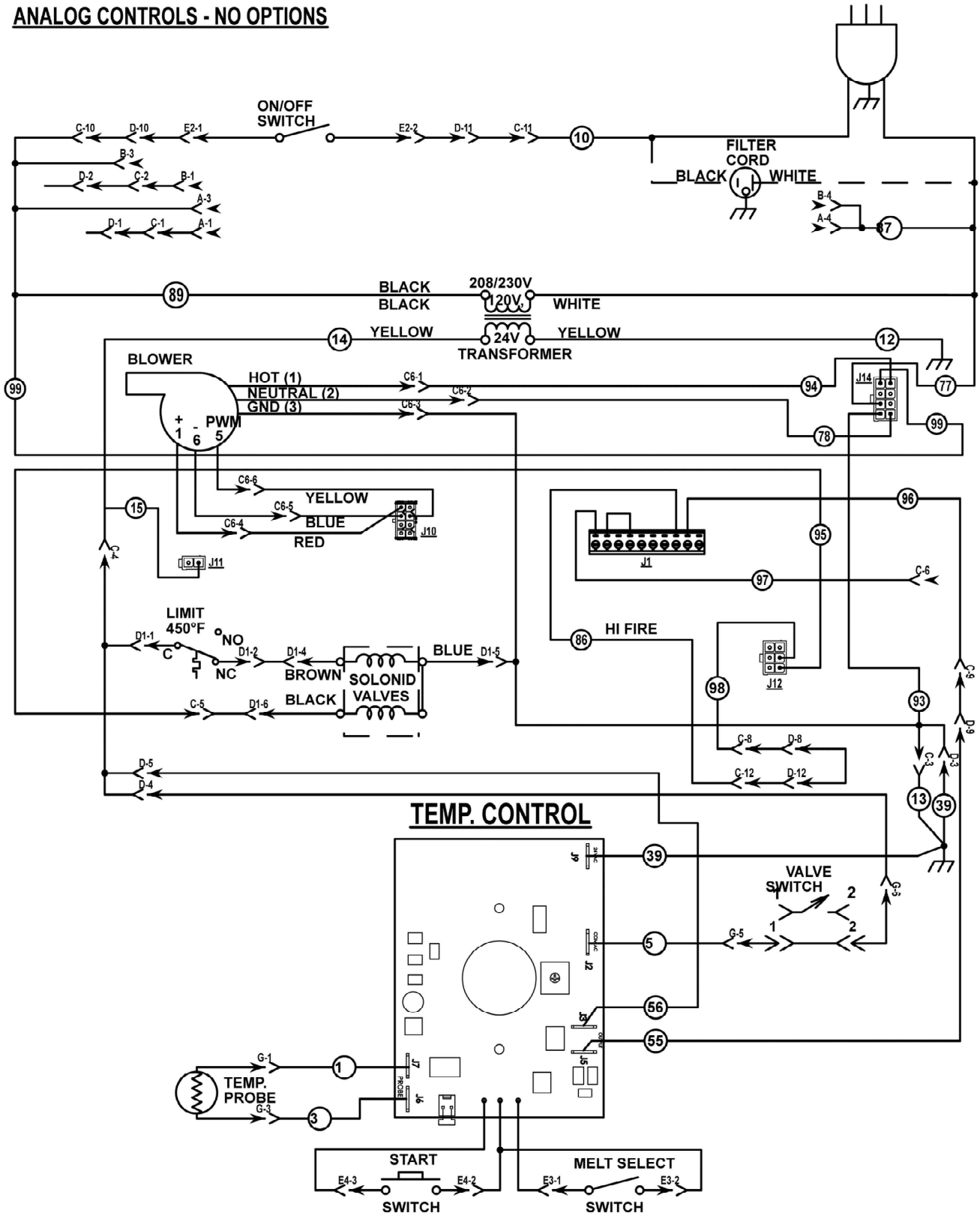


SCHEMATIC DIAGRAMS

ANALOG CONTROLS - NO OPTIONS

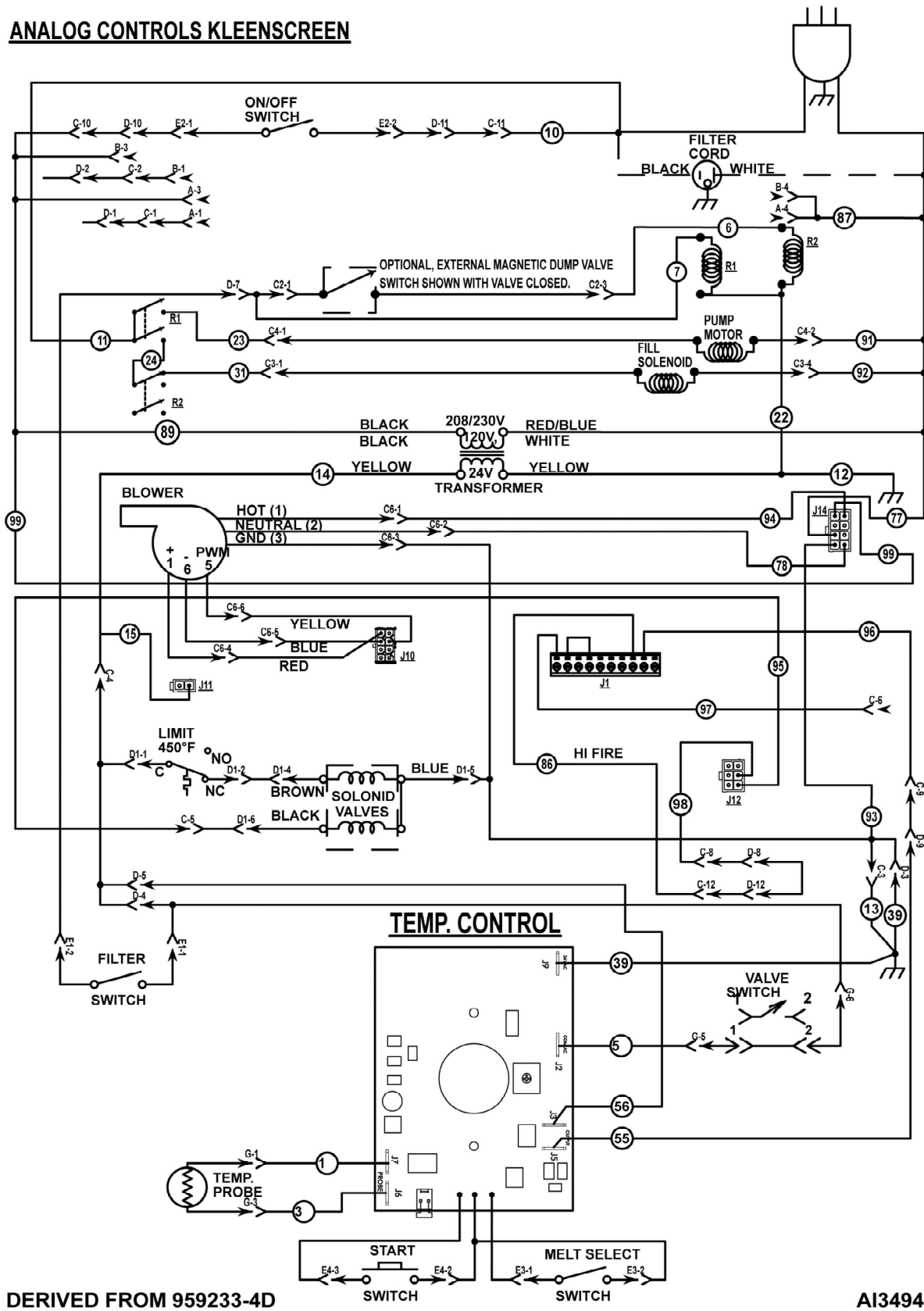


DERIVED FROM 959233-3D

AI3493

Analog Controls - No Options

ANALOG CONTROLS KLEENSCREEN

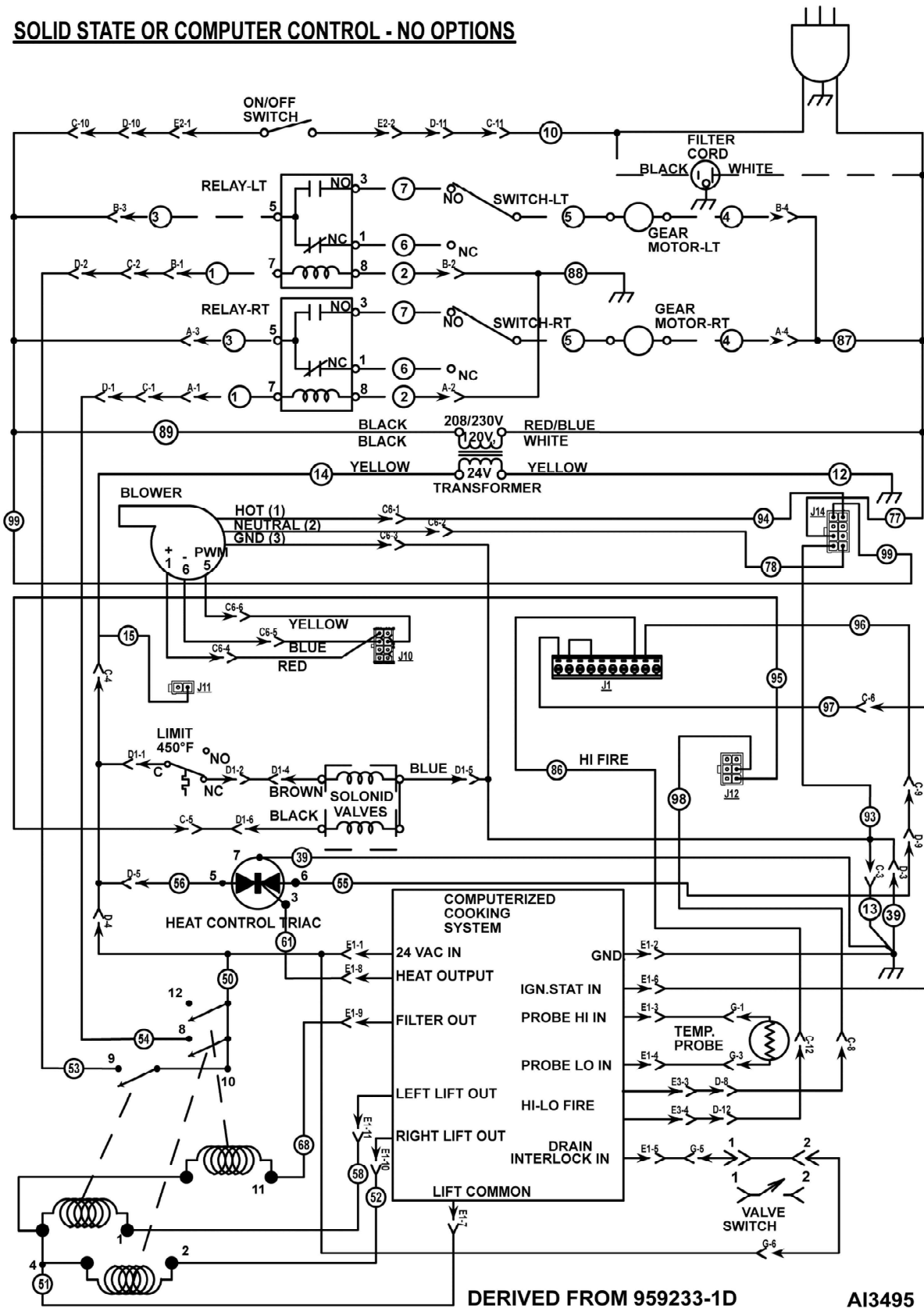


DERIVED FROM 959233-4D

AI3494

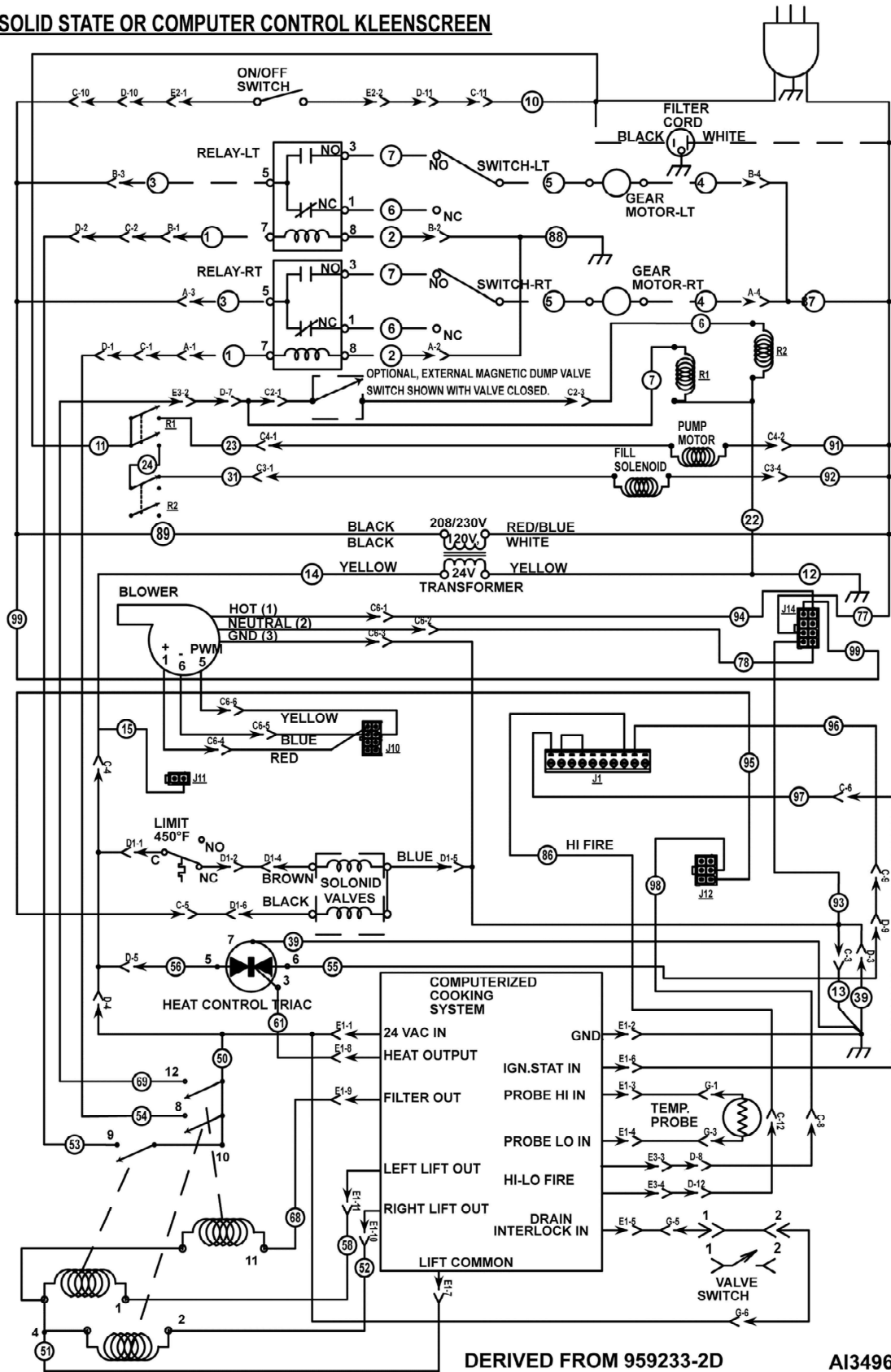
Analog Controls - Kleenscreen

SOLID STATE OR COMPUTER CONTROL - NO OPTIONS



Solid State or Computer Control - No Options

SOLID STATE OR COMPUTER CONTROL KLEENSCREEN



Solid State of Computer Control - KleenScreen

WIRING DIAGRAMS

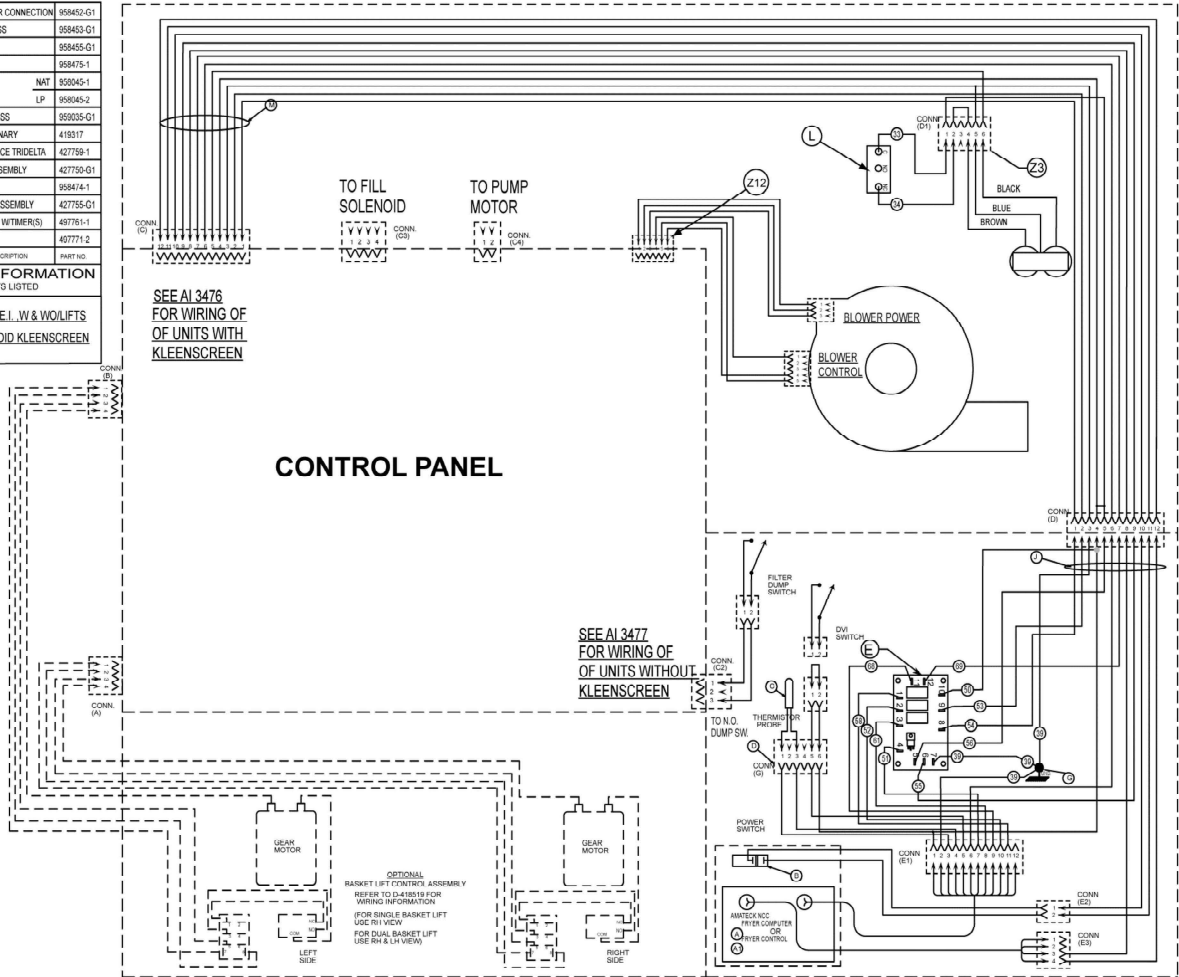
VK/TR Analog Control W/ Kleenscreen Fryer Wiring Diagram

Diagram LINKS below for Power Box Wiring for Units Built after December 2012

VK/TR Analog Control W/E.I. Stand Alone Fryer Wiring Diagram

VK/TR D & C Fryer Wiring Diagram

| | | | | |
|--|-----|-----|----------------------------|-----------------------------|
| 1 | 1 | Z12 | HARNES BLOWER CONNECTION | 958452-G1 |
| 1 | 1 | Z3 | MANFOLD HARNES | 958453-G1 |
| 1 | 1 | W | HARNES MAIN | 958455-G1 |
| 1 | 1 | L | HLIMIT | 958475-1 |
| 1 | 1 | K | COMBO VALVE | NAT 958045-1 LP 958045-2 |
| 1 | 1 | J | INTERFACE HARNES | 959035-G1 |
| 1 | 2 | G | TERMINAL STATIONARY | 419317 |
| 1 | 1 | E | CONTROL INTERFACE TRIDELTA | 427759-1 |
| 1 | 1 | D | D.V.I HARNES ASSEMBLY | 427759-G1 |
| 1 | 1 | C | THERMISTOR | 958474-1 |
| 1 | 1 | B | ROCKER SWITCH ASSEMBLY | 427755-G1 |
| 1 | 1 | A1 | NCC CONTROLLER WITHMFR(S) | 497781-1 |
| 1 | 1 | A | NCC COMPUTER | 407771-2 |
| REV | REV | REV | DESCRIPTION | PART NO. |
| WIRING INFORMATION FOR UNITS LISTED | | | | |
| VK FRYERS W/E.I. W & WO/LIFTS | | | | |
| W & WO/SOLENOID KLEENSCREEN | | | | |

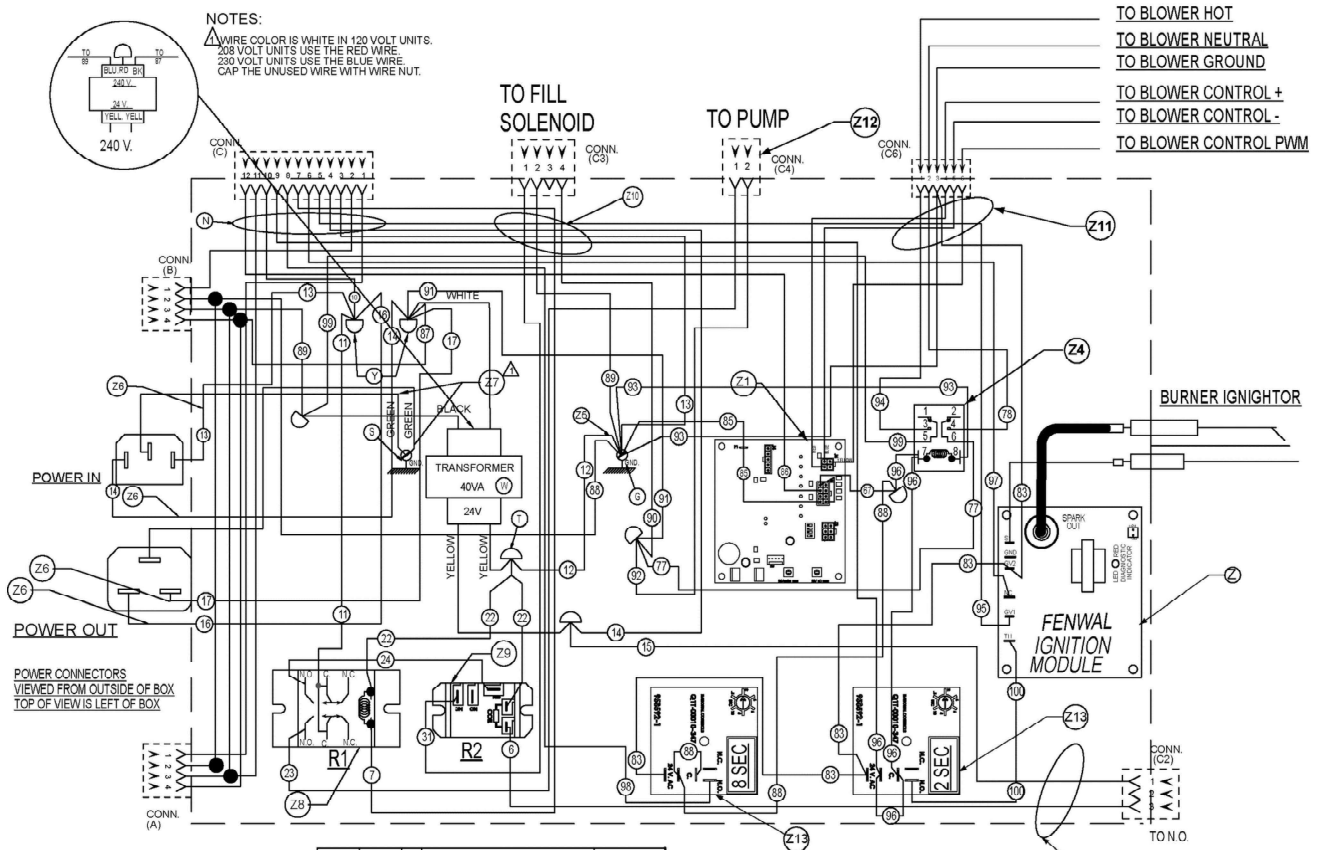


DERIVED FROM 958401-1 REV.K

AI3475

VK Fryer (C and D Models)

VK and TR GAS FRYERS W/Wo KleenScreen PLUS - ELECTRICAL OPERATION



NOTES:
 Δ WIRE COLOR IS WHITE IN 120 VOLT UNITS.
 208 VOLT UNITS USE THE RED WIRE.
 230 VOLT UNITS USE THE BLUE WIRE.
 CAP THE UNUSED WIRE WITH WIRE NUT.

TO BLOWER HOT
 TO BLOWER NEUTRAL
 TO BLOWER GROUND
 TO BLOWER CONTROL +
 TO BLOWER CONTROL -
 TO BLOWER CONTROL PWM

POWER CONNECTORS
 VIEWED FROM OUTSIDE OF BOX
 TOP OF VIEW IS LEFT OF BOX

| | | | | |
|---------------|---------------|--|-------------------------------|--|
| 1 | 1 | Z14 | HARNES DUMP SWITCH CONNECT | 95878-G3 |
| 2 | 2 | Z13 | TIME DELAY RELAY 24 VAC DRIVE | 95893-1 |
| 1 | 1 | Z12 | HARNES, PUMP MOTOR CONNECT | 95878-G2 |
| 1 | 1 | Z11 | HARNES, BLOWER MOTOR CONTROL | 95845-G1 |
| 1 | 1 | Z10 | HARNES, SOLENOID CONNECT | 95878-G1 |
| 1 | 1 | Z9 | RELAY SPST 24 VAC COIL | 46712S-1 |
| 1 | 1 | Z8 | RELAY 1 HP 120 VOLT | 428864-1 |
| 2 | 2 | Z7 | WIRE ASSEMBLY (GREEN) | 414715-008S |
| 4 | 4 | Z6 | WIRE ASSEMBLY (13,14,16,17) | 414724-006GS |
| 1 | 1 | Z5 | WIRE ASSEMBLY (1,2) | 414730-008S |
| 2 | 2 | Z4 | RELAY DPDT 24 VAC COIL | 419535-4 |
| 1 | 1 | Z1 | BOARD, BLOWER CONTROL | 958318-1 |
| 1 | 1 | Z | CONTROL, SPARK IGNITION | 958178-1 |
| 2 | 2 | Y | WIRE NUT (Y) 1/2" W | FF006-32 |
| 1 | 1 | W | 24V 40VA TRANSFORMER | 120 VOLT 240 VOLT 411500-12 411500-13 |
| 2 | 2 | T | WIRE NUT | FED09-29 |
| 1 | 1 | S | GROUND LUG | 417866-1 |
| 1 | 1 | P | IGNITER CABLE | 423813-5 |
| 1 | 1 | N | POWER HARNES | 958454-G1 |
| REQ | REQ | IT | DESCRIPTION | PART NO. |
| VKD MODELS | VKC MODELS | WIRING INFORMATION FOR UNITS LISTED | | |

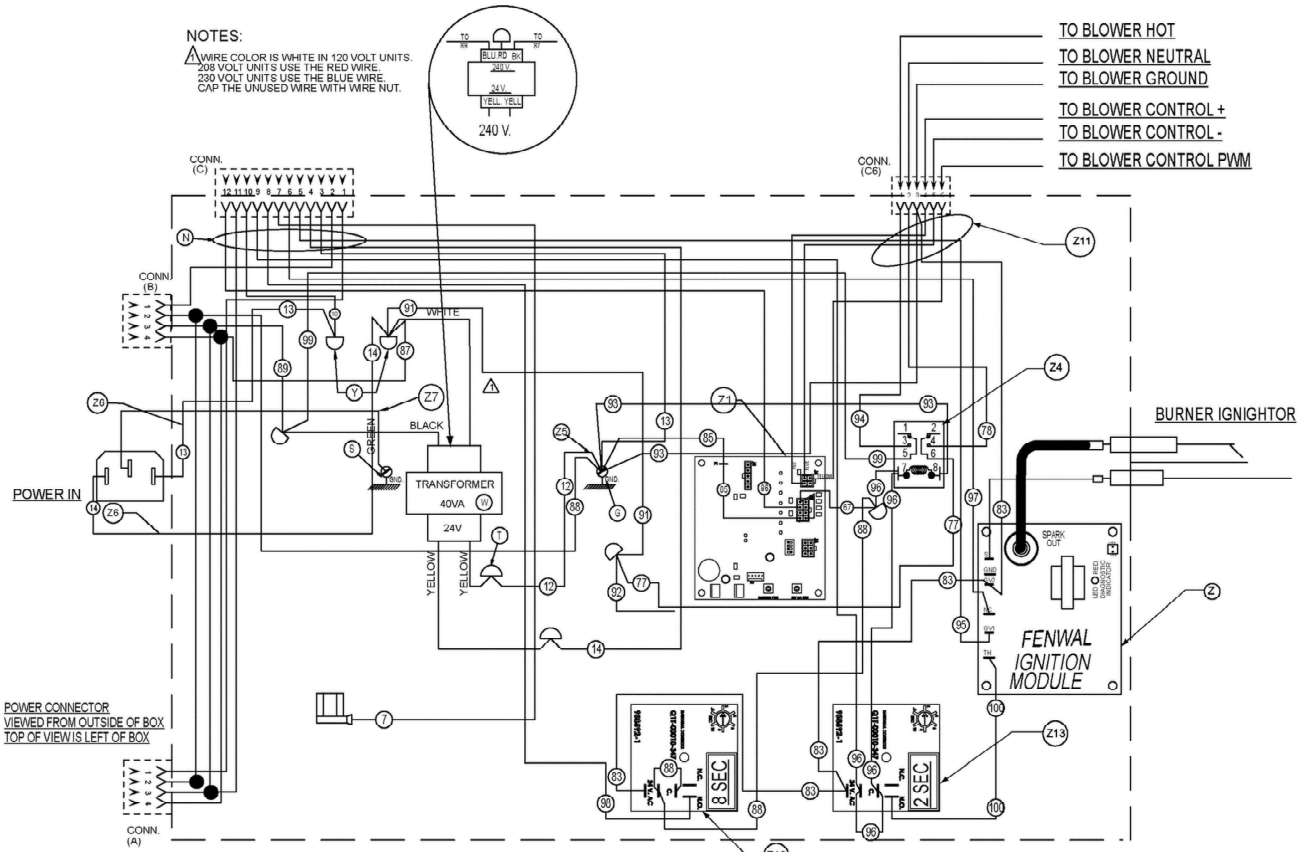
WIRING DIAGRAM
 W/SOLENOID KLEENSCREEN
 VK FRYERS W/E.I., W & WO/LIFTS

DERIVED FROM 958402-1 REV. K

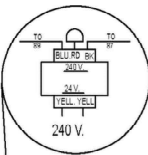
A13476

Power Supply Box (Before 12/1/12) - VK Fryer with basket lifts and Kleenscreen

VK and TR GAS FRYERS W/Wo KleenScreen PLUS - ELECTRICAL OPERATION



NOTES:
 Δ WIRE COLOR IS WHITE IN 120 VOLT UNITS.
 208 VOLT UNITS USE THE RED WIRE.
 230 VOLT UNITS USE THE BLUE WIRE.
 CAP THE UNUSED WIRE WITH WIRE NUT.



- TO BLOWER HOT
- TO BLOWER NEUTRAL
- TO BLOWER GROUND
- TO BLOWER CONTROL +
- TO BLOWER CONTROL -
- TO BLOWER CONTROL PWM

POWER CONNECTOR
 VIEWED FROM OUTSIDE OF BOX
 TOP OF VIEW IS LEFT OF BOX

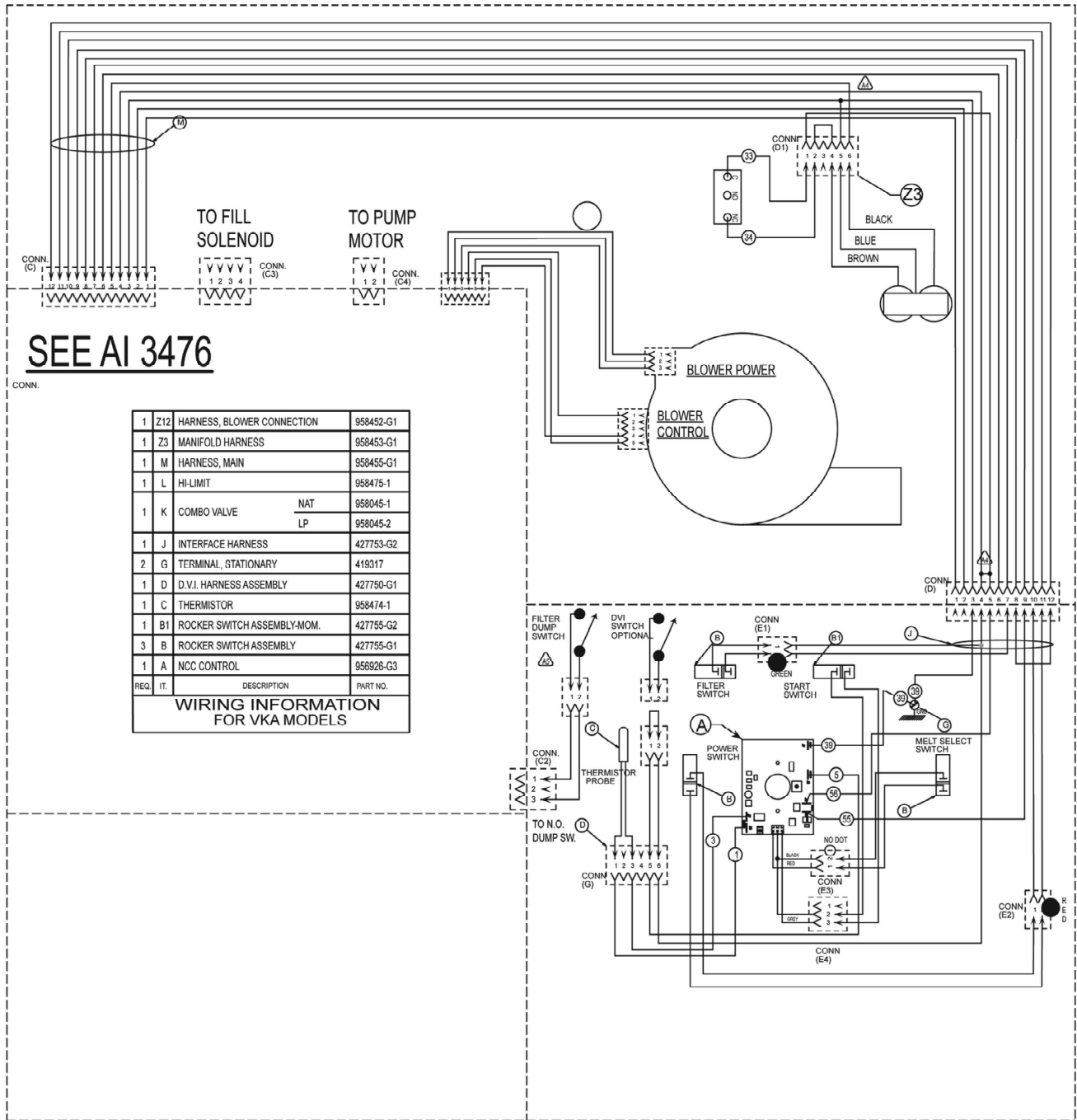
| | | | | |
|---------------|---------------|-----|---|---------------------------------|
| 2 | 2 | Z13 | TIME DELAY RELAY 24 VAC DRIVE | 958502-1 |
| 1 | 1 | Z11 | HARNES, BLOWER MOTOR CONTROL | 958451-G1 |
| 1 | 1 | Z7 | WIRE ASSEMBLY (GREEN) | 414715-006IS |
| 2 | 2 | Z8 | WIRE ASSEMBLY (13,14) | 414724-006GS |
| 1 | 1 | Z5 | WIRE ASSEMBLY (12) | 414730-006IS |
| 2 | 2 | Z4 | RELAY DPDT 24 VAC COIL | 416535-4 |
| 1 | 1 | Z1 | BOARD, BLOWER CONTROL | 058319-1 |
| 1 | 1 | Z | CONTROL, SPARK IGNITION | 959179-1 |
| 2 | 2 | Y | WIRE NUT YELLOW | FE000 32 |
| 1 | 1 | W | 24V 40VA TRANSFORMER | 411500-12 240 VOLT 411500-13 |
| 2 | 2 | T | WIRE NUT | FE006-29 |
| 1 | 1 | S | GROUND LUG | 417856-1 |
| 1 | 1 | P | IGNITER CABLE | 423813-5 |
| 1 | 1 | N | POWER HARNESS | 958454-G1 |
| REQ. | REQ. | IT | DESCRIPTION | PART NO. |
| VKD MODELS | VKC MODELS | | WIRING INFORMATION FOR UNITS LISTED | |

WIRING DIAGRAM WO/SOLENOID KLEENSCREEN
 VK FRYERS W/E.I. W & WO/LIFTS

DERIVED FROM 958402-1 REV. K

AI 3477

Power Supply Box (Before 12/1/12) - VK Fryer without basket lifts and Kleenscreen



WIRING DIAGRAM ANALOG - WITH KLEENSCREEN

DERIVED FROM 958402-2 REV. E

AI 3478

VK Fryers with Electronic Ignition and Analog Control and KleenScreen

