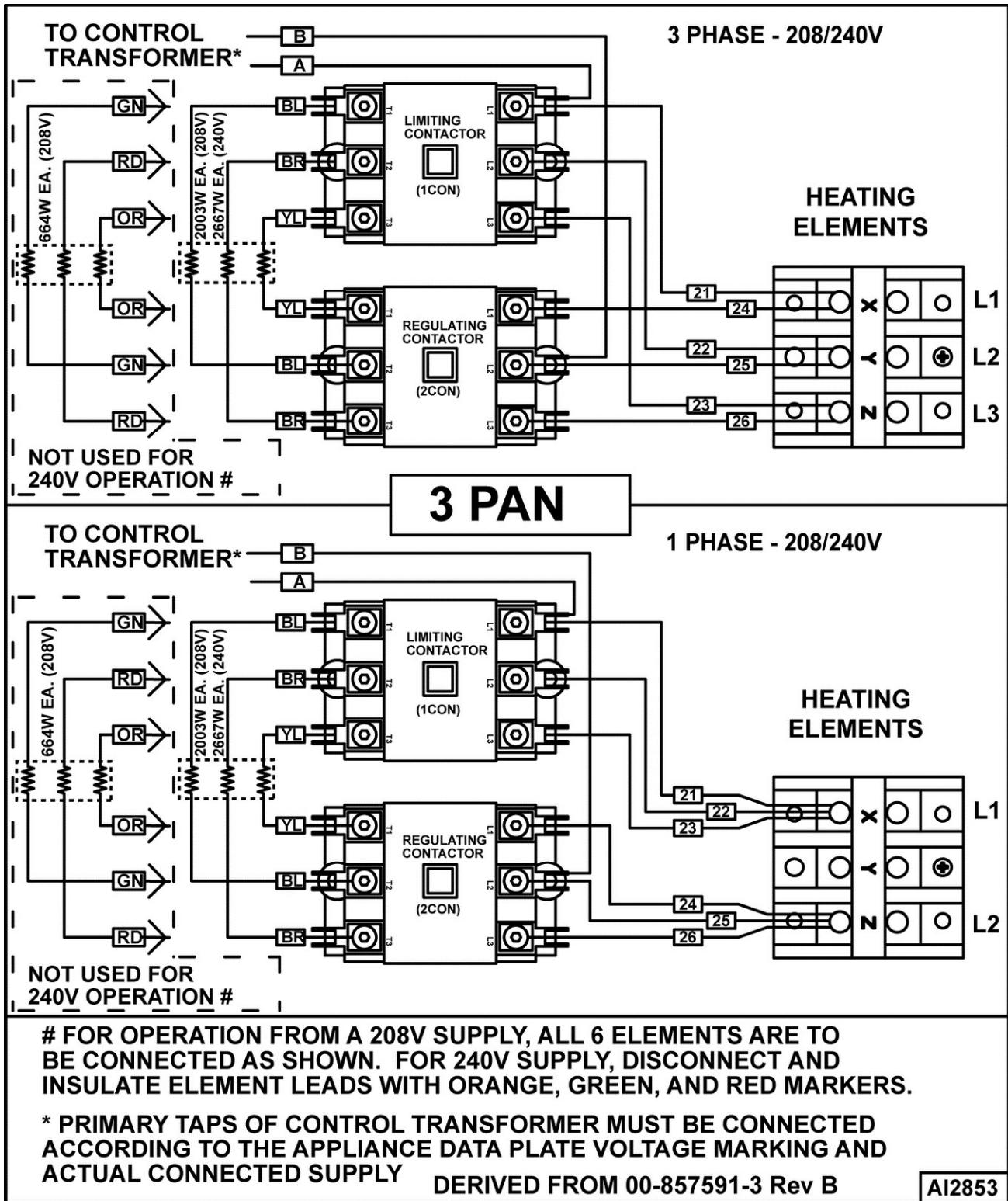


AUTOFILL OPTION

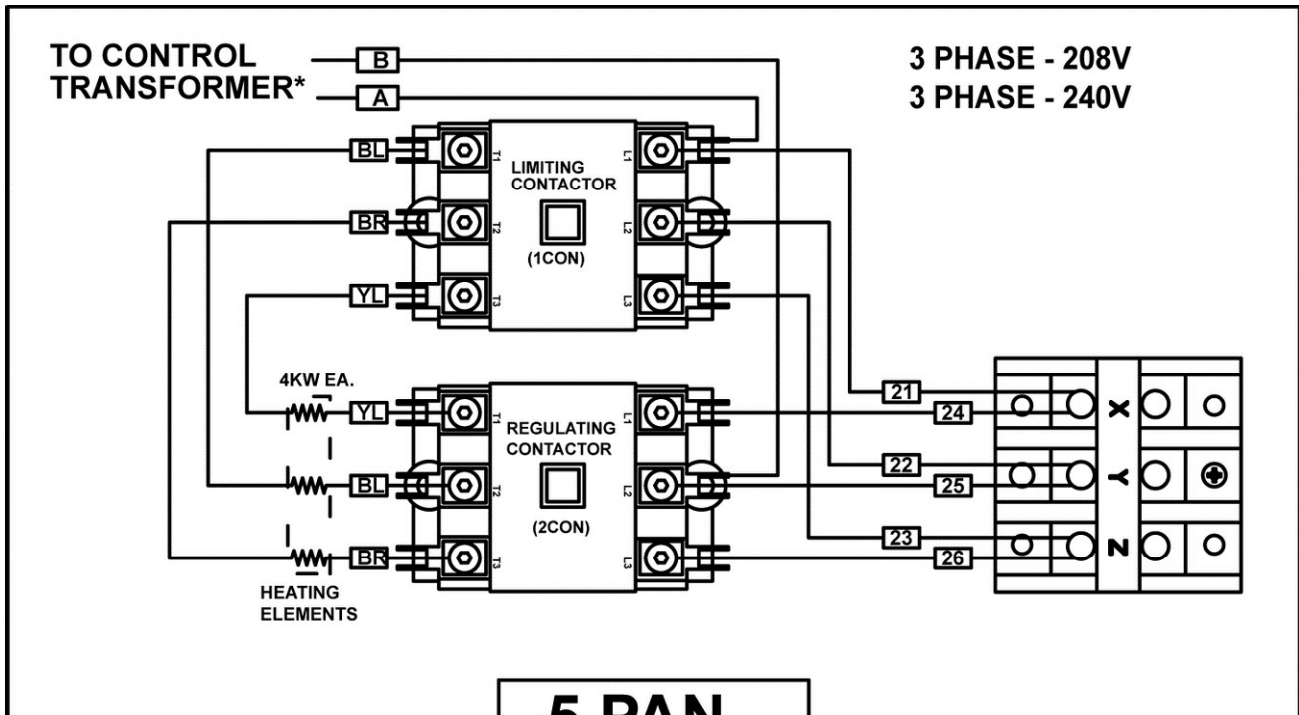
WIRING DIAGRAMS - HEATING ELEMENTS

C24EO3 - 208V/240V

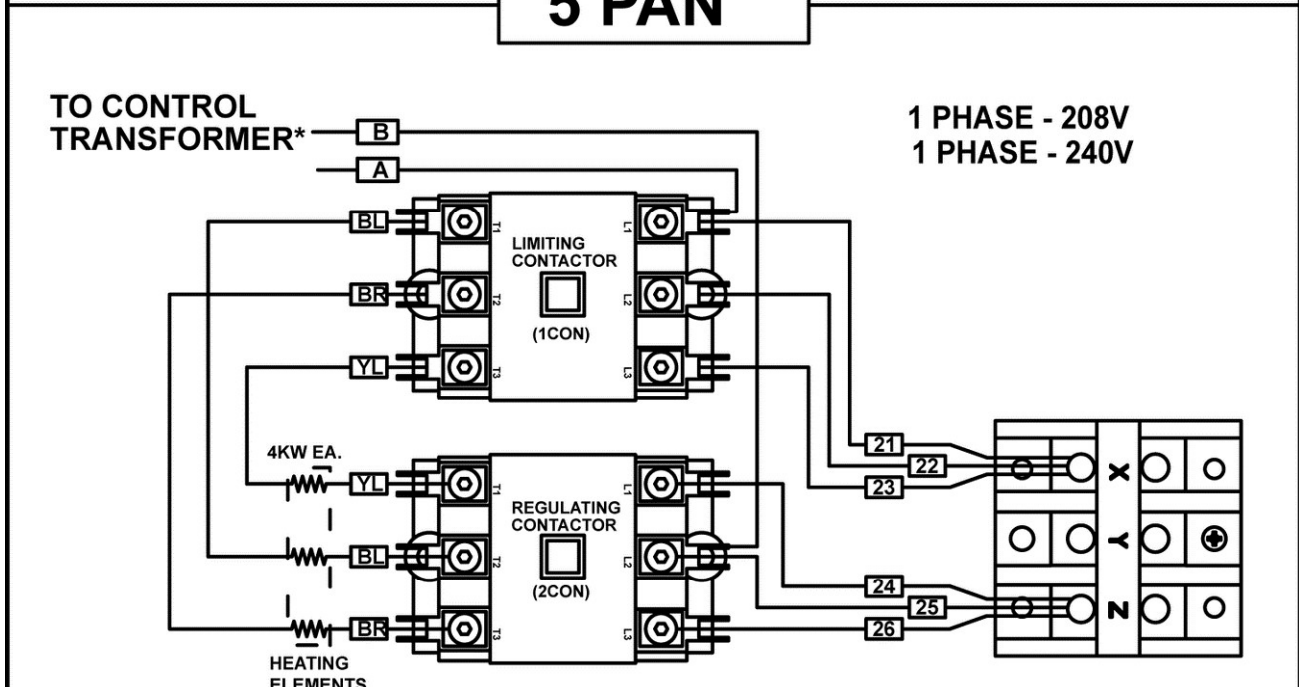


C24EO3 - 208V/240V

C24EO5 - 208V/240V



5 PAN



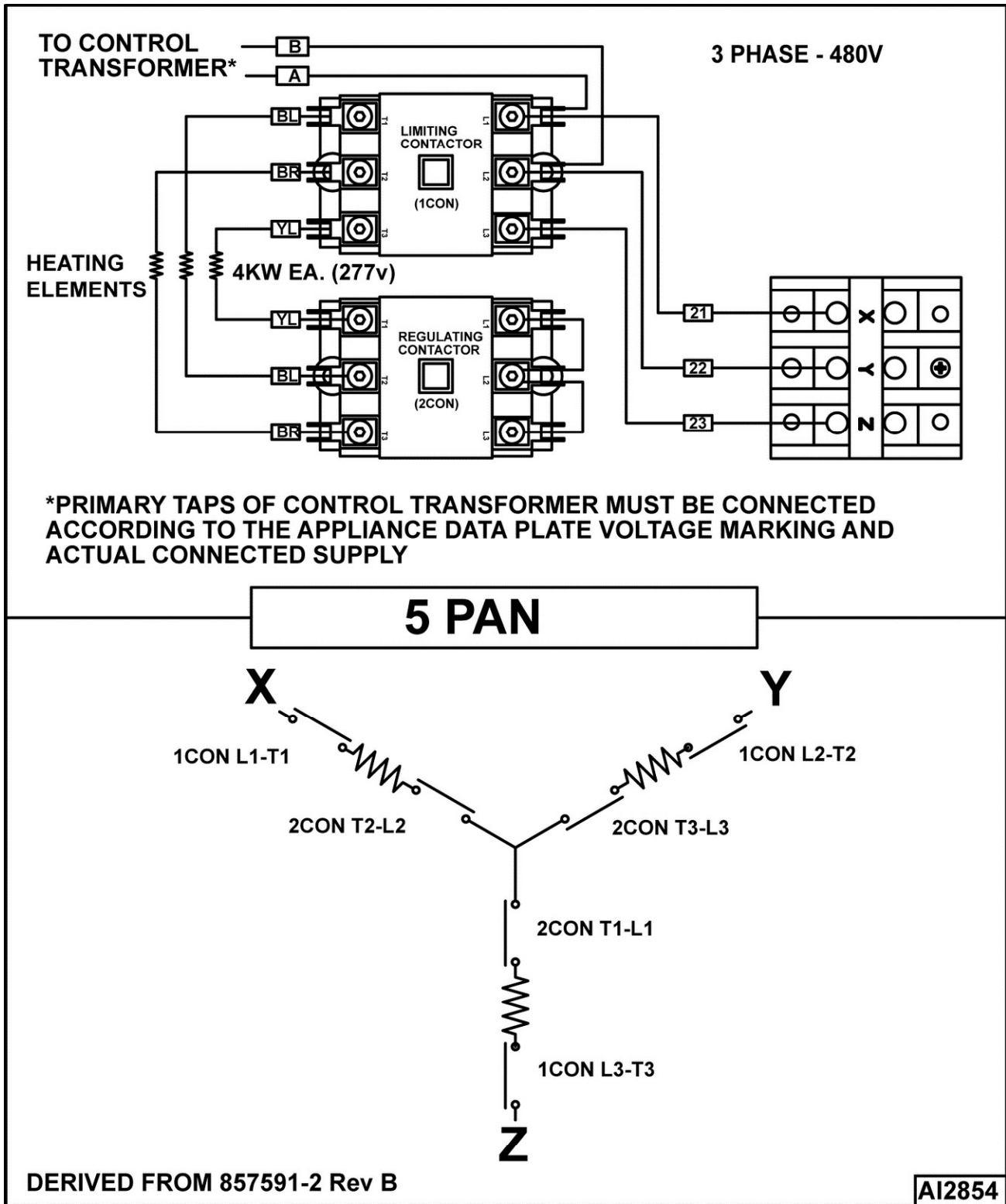
***PRIMARY TAPS OF CONTROL TRANSFORMER MUST BE CONNECTED ACCORDING TO THE APPLIANCE DATA PLATE VOLTAGE MARKING AND ACTUAL CONNECTED SUPPLY**

DERIVED FROM 00-857591-1 Rev B

A12852

C24EO5 - 208V/240V

C24EO5 - 480V



C24EO5 - 480V