

4. Oven reaches setpoint temperature. Thermostat valve closes internal valve to stop gas flow to burner.
5. Door switch opened (oven door open).
 - A. Power is removed from oven motor.
6. Oven door closed. Door switch contacts close and oven motor resumes operation.
7. Thermostat valve cycles the burner as required to maintain setpoint temperature until thermostat knob is turned to off, or power switch off.

SCHEMATIC DIAGRAM - CONVECTION OVENS

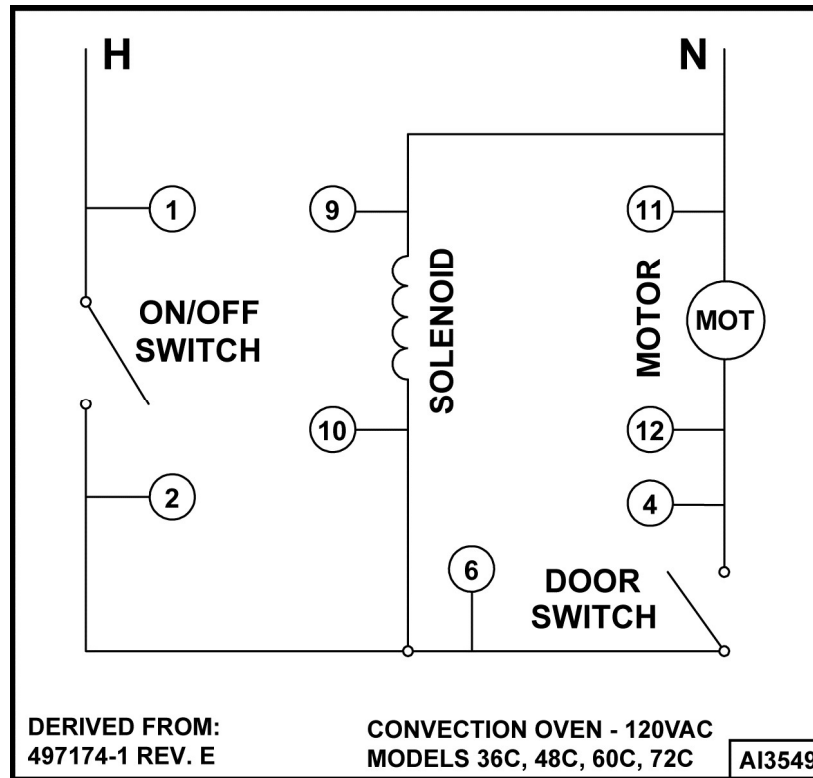


Fig. 121

WIRING DIAGRAM - CONVECTION OVENS

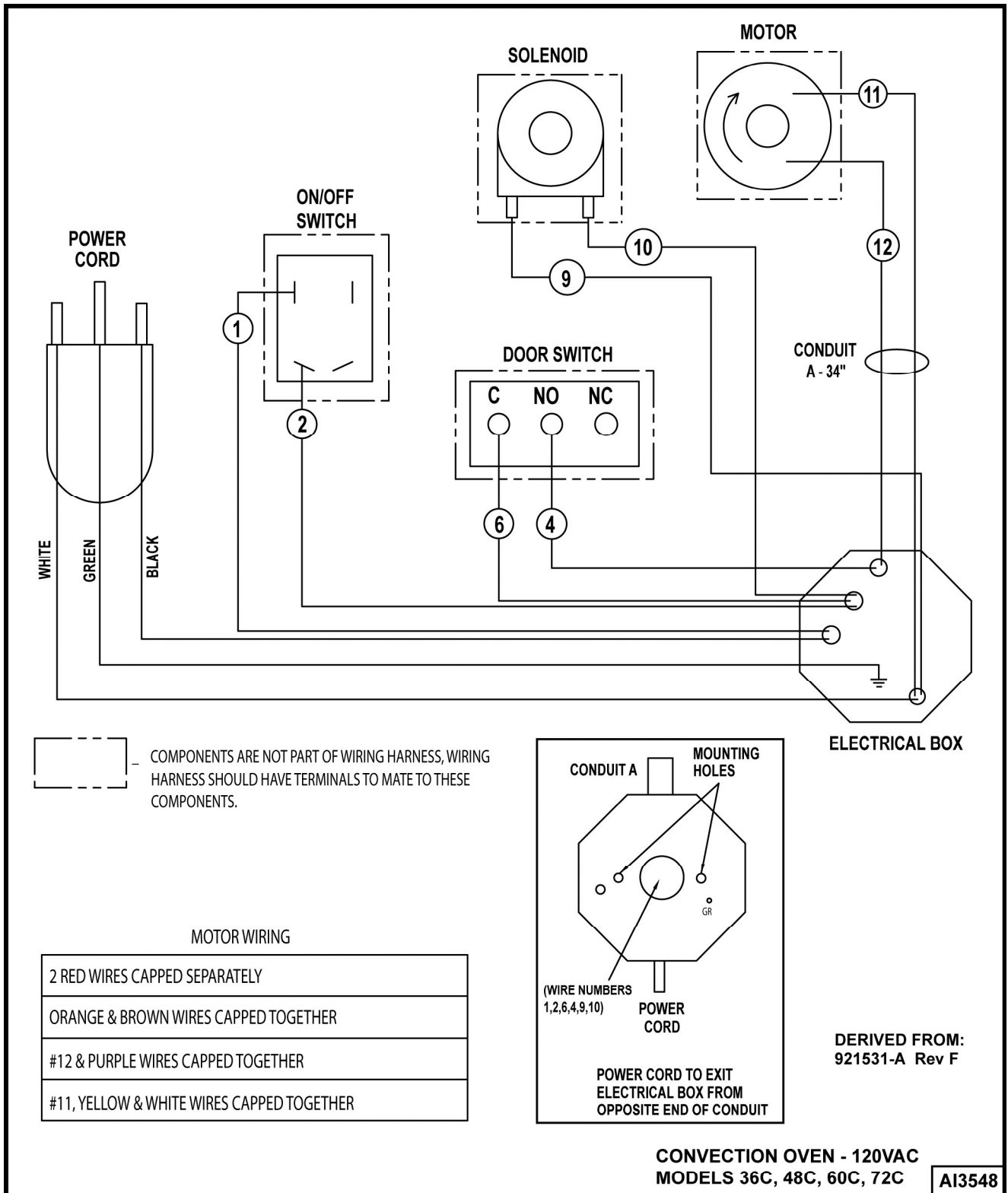


Fig. 122