

# **VULCAN**

## **CATALOG OF REPLACEMENT PARTS**

### ***V SERIES HEATED HOLDING INSULATED CABINETS***

#### **MODELS**

**VBP5  
VBP7  
VBP13  
VBP15  
VBP18  
VHP7  
VHP15  
VPT7  
VPT13  
VPT15  
VPT18  
VBP5ES  
VBP7ES  
VBP13ES  
VBP15ES  
VBP18ES**



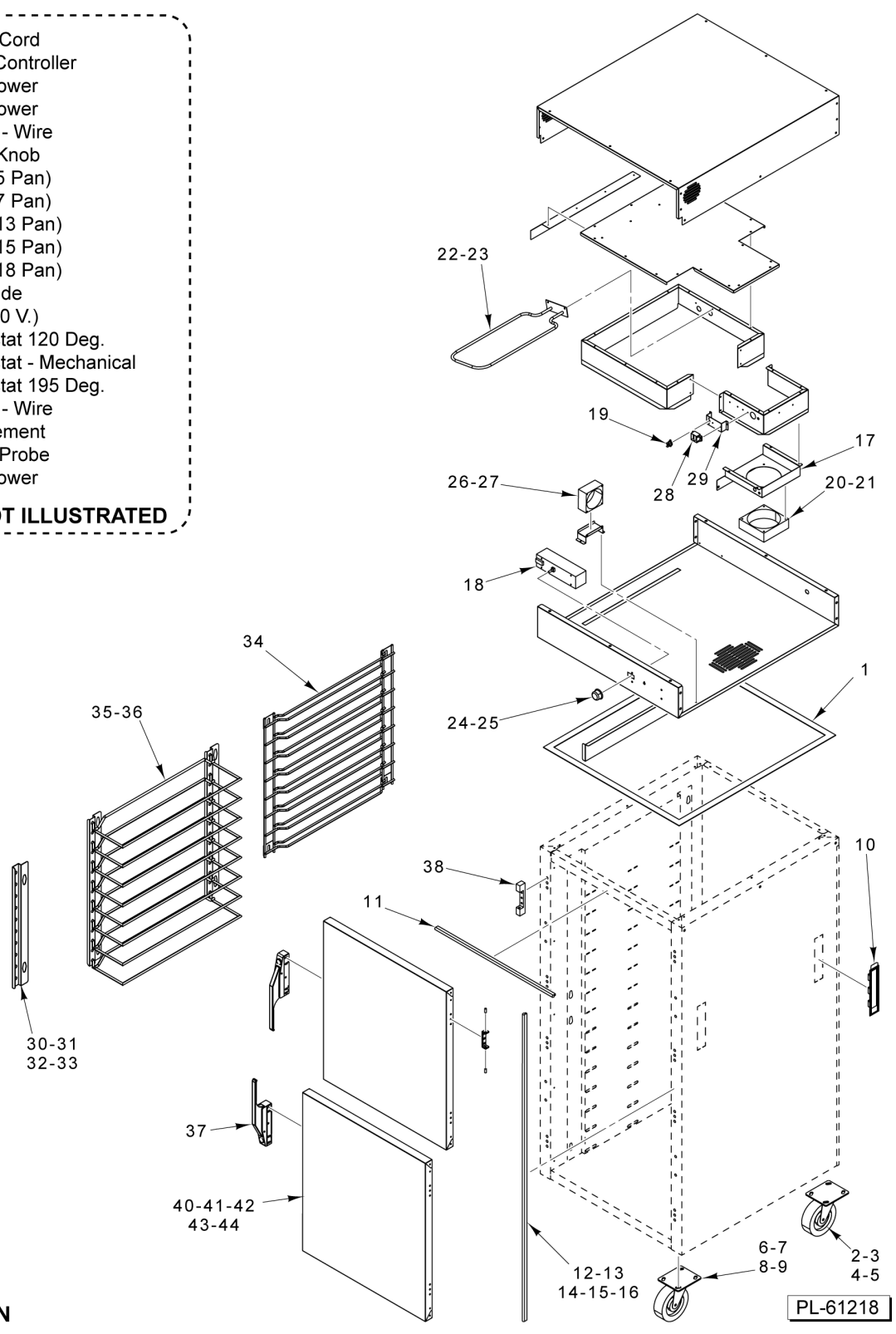
**For additional information on Vulcan or to locate an authorized parts  
and service provider in your area, visit our website at [www.vulcanequipment.com](http://www.vulcanequipment.com)**



**Table of Contents**

- 5 CABINET (VBP/VHP/VPT)
- 9 TOP (STARTING 5/10/21 S/N 481995932)

- 45 Holder - Cord
  - 46 Probe - Controller
  - 47 Cord - Power
  - 48 Cord - Power
  - 49 Harness - Wire
  - 50 Guard - Knob
  - 51 Tunnel (5 Pan)
  - 52 Tunnel (7 Pan)
  - 53 Tunnel (13 Pan)
  - 54 Tunnel (15 Pan)
  - 55 Tunnel (18 Pan)
  - 56 Tray - Slide
  - 57 Light (240 V.)
  - 58 Thermostat 120 Deg.
  - 59 Thermostat - Mechanical
  - 60 Thermostat 195 Deg.
  - 61 Harness - Wire
  - 62 Clip - Element
  - 63 Holder - Probe
  - 64 Cord - Power
- PARTS NOT ILLUSTRATED**



**VBP15 SHOWN**

**CABINET (VBP/VHP/VPT)**

## CABINET (VBP/VHP/VPT)

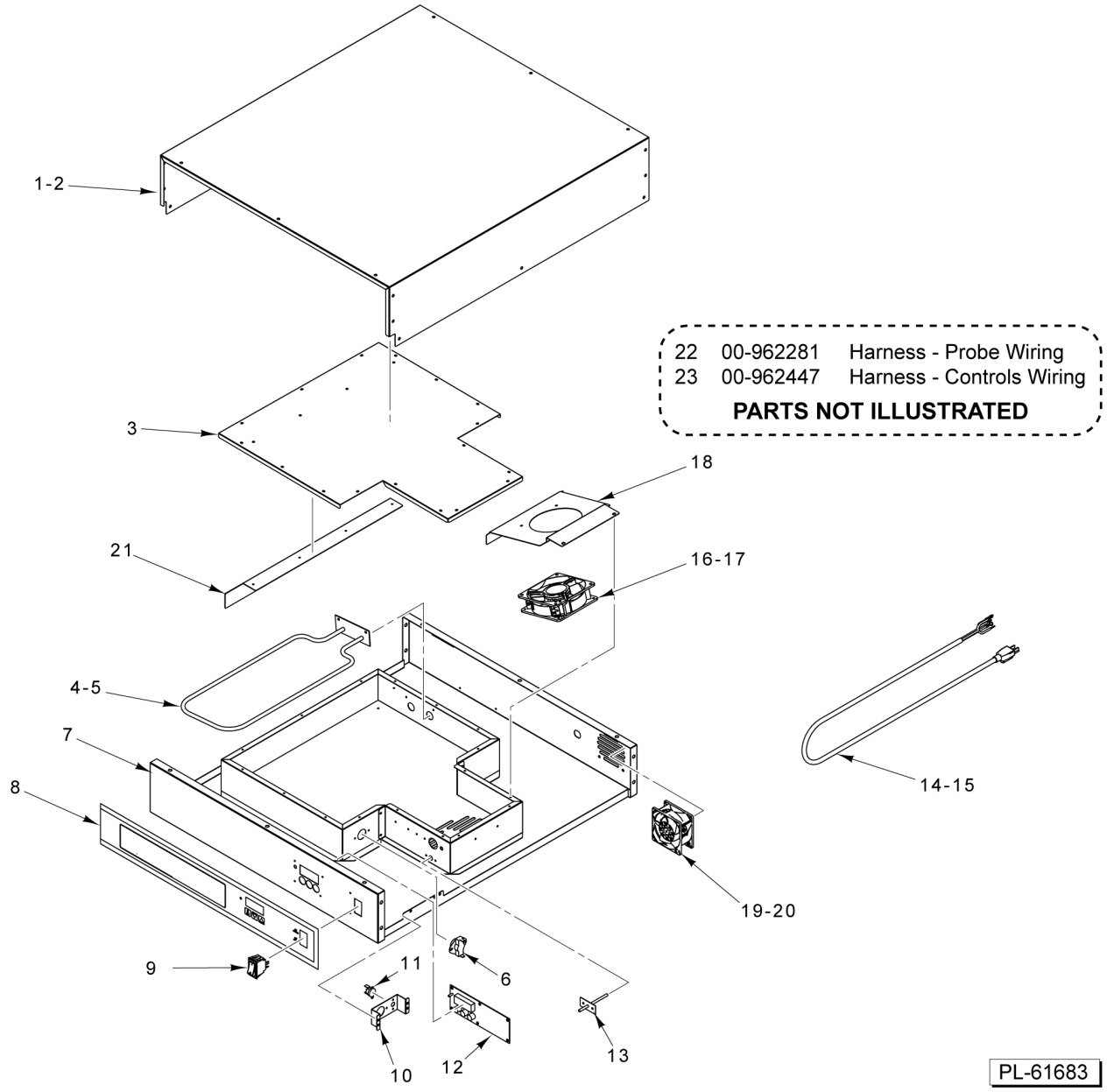
ILLUS.	PART NO.	NAME OF PART	AMT.
PL-61218			
1	00-961263	Gasket - Top Gasket - Top.....	AR
2	00-497001-00003	Caster W/O Brake, Rigid (5 In.) (7/13/15/18 Pan) (Starting 2019).....	2
3	00-960519	Caster W/O Brake, Rigid (5 In.) (7/13/15/18 Pan) (Before 2019).....	2
4	00-961974	Caster 3 In. Caster W/O Brake, Rigid (3 In.) (5 Pan) (Starting 2019).....	2
5	00-960514	Caster W/O Brake, Rigid (3 In.) (5 Pan) (Before 2019).....	2
6	00-497001-00002	Caster W/ Brake, Swivel (5 In.) (7/13/15/18 Pan) (Starting 2019).....	2
7	00-960520	Caster W/ Brake, Swivel (5 In.) (7/13/15/18 Pan) (Before 2019).....	2
8	00-961975	Caster 3 In. Caster W/ Brake, Swivel (3 In.) (5 Pan) (Starting 2019).....	2
9	00-960516	Caster W/ Brake, Swivel (3 In.) (5 Pan) (Before 2019).....	2
10	00-960606	Handle - Recessed (Black).....	4
11	00-960579	Gasket - Door (Top).....	AR
12	00-960577	Gasket - Door (Side) (5 Pan).....	AR
13	00-960571	Gasket - Door (Side) (7 Pan).....	AR
14	00-961153	Gasket - Door (Side) (13 Pan).....	AR
15	00-961154	Gasket - Door (Side) (15 Pan).....	AR
16	00-961155	Gasket - Door (Side) (18 Pan).....	AR
17	00-961062	Holder - Fan.....	1
18	00-960903	Controller.....	1
19	00-960748	High Limit Thermostat.....	1
20	00-961086	Fan 4-3/4 In. (120 V.).....	1
21	00-961230	Fan 4-3/4 In. (240 V.).....	1
22	00-960564	Element - Heating (1500 Watt) (120 V.).....	1
23	00-960568	Element - Heating (1500 Watt) (240 V.).....	1
24	00-960644	Knob (13/15/18 Pan).....	1
25	00-961170	Knob (5/7 Pan).....	1
26	00-960833	Fan - Vent, 3-1/8 In. (120 V.).....	1
27	00-960834	Fan 3-1/8 In. (240 V.) Fan 3-1/2 In. (240 V.).....	1
28	00-960507	Terminal - Block.....	1
29	00-961643	Bracket - Standoff.....	1
30	00-961059	Support - Rack (5 Pan).....	4
31	00-960761	Support - Rack (7/15 Pan).....	AR
32	00-961085	Support - Rack (13 Pan).....	4
33	00-961058	Support - Rack (18 Pan).....	4
34	00-960705	Rack Rack - Lip Load (LL Models).....	AR
35	00-960706	Rack - Pan - Side Load (SL Models).....	AR
36	00-960707	Rack - Shelf (SL Models).....	AR
37	00-960663	Latch - Door.....	AR
38	00-960616	Hinge Assy.....	AR
39	00-961138	Bracket - Fan.....	AR
*40	00-962446-00005	Door Assy. (SST) (VBP5/VPT5).....	1
*41	00-962446-00007	Door Assy. (SST) (VBP7/VBP15) (VPT7/VPT15).....	AR
*42	00-962446-00013	Door Assy. (SST) (VBP13/VPT13).....	1
*43	00-965446-00018	Door Assy. (SST) (VBP18/VPT18).....	1
*44	00-962446-00VHP	Door Assy. (SST) (VHP7/VHP15).....	AR
45	00-960532	Holder - Cord.....	1
46	00-960904	Probe - Controller.....	1
47	00-405016-000G1	Cord Assy. (All Except VBP/VPT18).....	1
48	00-960539	Cord - Power (240 V.).....	1
49	00-960797	Harness - Wire.....	1
50	00-961459	Guard - Knob (5/7 Pan).....	1
51	00-960938	Tunnel (5 Pan).....	1
52	00-961205	Tunnel (7 Pan).....	1
53	00-961083	Tunnel (13 Pan).....	1
54	00-960944	Tunnel (15 Pan).....	1
55	00-961174	Tunnel (18 Pan).....	1

**CABINET (VBP/VHP/VPT)**

ILLUS.	PART NO.	NAME OF PART	AMT.
PL-61218			
56	00-960753	Tray - Slide.....	1
57	00-960672	Light - Indicator (240 V.) (VHP7/VHP15).....	1
58	00-960743	Thermostat 120 Deg. (VHP7/VHP15).....	1
59	00-960736	Temp Gage, Dial Type (VHP7/VHP15).....	1
60	00-960741	Thermostat 195 Deg. (VHP7/VHP15).....	1
61	00-960799	Harness - Wire (VHP7/VHP15).....	1
62	00-961113	Clip - Element (VHP7/VHP15).....	1
63	00-961372	Holder - Probe (VHP7/VHP15).....	1
64	00-405016-000G4	Cord - Power (VBP/VPT18).....	1

\* One Door, No Hardware

## NOTES



**TOP  
 (STARTING 5/10/21 S/N 481995932)**

**TOP**  
**(STARTING 5/10/21 S/N 481995932)**

ILLUS. PL-61683	PART NO.	NAME OF PART	AMT.
1	00-962489	Cover - Top (Rear Fan).....	1
2	00-961991	Cover - Top (Side Fan).....	1
3	00-962479	Cover - Element Box.....	1
4	00-960564	Element - Heating (1500 Watt) (120 V.).....	1
5	00-960568	Element - Heating (1500 Watt) (240 V.).....	1
6	00-960743	Thermostat 120 Deg.....	1
7	00-962665-000G1	Liner - Top.....	1
8	00-962106	Overlay.....	1
9	00-962322-00002	Switch - Rocker.....	1
10	00-962483	Bracket - Standoff.....	1
11	00-960748	High Limit Thermostat.....	1
12	00-962280	Board - Control.....	1
13	00-962282	Probe - Temperature.....	1
14	00-405016-000G1	Cord Assy. (120 V.).....	1
15	00-960539	Cord - Power (240 V.).....	1
16	00-961086	Fan 4-3/4 In. (120 V.).....	1
17	00-961230	Fan 4-3/4 In. (240 V.).....	1
18	00-961973	Holder - Fan.....	1
19	00-960833	Fan - Vent, 3-1/8 In. (120 V.).....	1
20	00-960834	Fan 3-1/8 In. (240 V.).....	1
21	00-961066	Deflector.....	1
22	00-962281	Harness - Probe Wiring.....	1
23	00-962447	Harness - Controls Wiring.....	1

