

# Operator's Manual

## SOMERVILLE BUFFET SERVICE



Item	Description
4634010	9 qt. Full-size Roll Top Chaffer
4635710	7 qt. Soup Urn
4635410	4 qt. Gravy Urn
4635310	3 gallon Coffee Urn
4635510	5 gallon Coffee Urn

Item	Description
4635110	Milk Dispenser
4635810	Juice/Cold Beverage Dispenser
4635210	Double Cereal Dispenser
4634110	6 qt. Round Drop-In Chafer
4635610	6 qt. Round Roll Top Chafer

Thank you for purchasing this Vollrath equipment. Before operating the equipment, read and familiarize yourself with the following operating and safety instructions. **SAVE THESE INSTRUCTIONS FOR FUTURE REFERENCE.** Save the original box and packaging. Use this packaging to ship the equipment if repairs are needed.

## SAFETY PRECAUTIONS

To ensure safe operation, read the following statements and understand their meaning. This manual contains safety precautions which are explained below. Please read carefully.

### WARNING

Warning is used to indicate the presence of a hazard that can cause severe personal injury, death, or substantial property damage if the warning is ignored.

### CAUTION

Caution is used to indicate the presence of a hazard that will or can cause minor personal injury or property damage if the caution is ignored.

### NOTE

Note is used to notify people of installation, operation, or maintenance information that is important but not hazard-related.

### For Your Safety!

These precautions should be followed at all times. Failure to follow these precautions could result in injury to yourself and others or damage the equipment.

To reduce risk of injury or damage to the unit:

- Equipment should only be used in a flat, level position.
- Do not store or place any materials below the unit or near the heating source.
- Always turn off and unplug electric chafer heaters when not in use.
- Always use a snuffer paddle or saucer to extinguish flame when using a chafer fuel heating source.
- Allow equipment to cool before moving or cleaning.
- Do not operate unattended.
- Do not operate without water in the water pan body.

## FUNCTION AND PURPOSE

This equipment is intended and designed to keep food at proper serving temperatures. This equipment is not intended or designed to cook raw food or to reheat prepared food. This equipment is not intended or designed to chill beverages or food. Food and beverages must be prepared and placed into the chafers, urns or dispensers at proper serving temperatures.

## UNPACKING THE EQUIPMENT AND INITIAL SETUP, ALL MODELS

Carefully remove crating or packaging materials from the unit. When no longer needed, dispose of all packaging materials in an environmentally responsible manner. Follow any special instructions for specific models.

## OPERATION, TABLETOP HOT FOOD AND BEVERAGE

This equipment is designed to heat with an electric chafer heater or chafer fuel designed specifically for chafer application.

If using an electric chafer heater, we recommend that a Vollrath Universal Chafer Heater is used.

If using fuel, use only high quality chafer gel fuel. Always follow the manufacturer's recommendations for safety and usage.

	<b>WARNING</b>
	<p><b>Burn Hazard.</b> Do not touch heating surfaces, liquid, or while unit is heating or operating. Hot food, surfaces, steam and liquids can burn skin. Use gloves, mitts or pot holders if it is necessary to handle hot pans, plates and equipment.</p>

	<b>WARNING</b>
	<p><b>Fire Hazard.</b> Use only chafer fuel designed for chafer use. Do not install chafer fuel near combustible material. Fire could occur.</p>

	<b>WARNING</b>
	<p><b>Electrical Shock Hazard.</b> Keep water and other liquids from entering the inside of the heater. Liquid inside the heater could cause an electrical shock. Do not damaged power cord.</p>

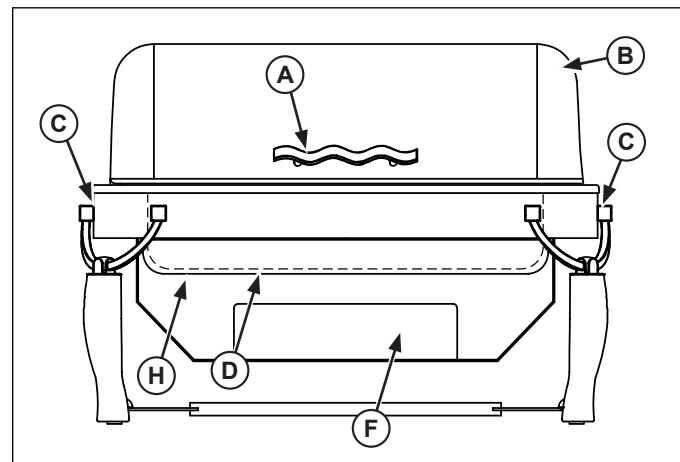


Figure 1. Chafer Features and Controls.

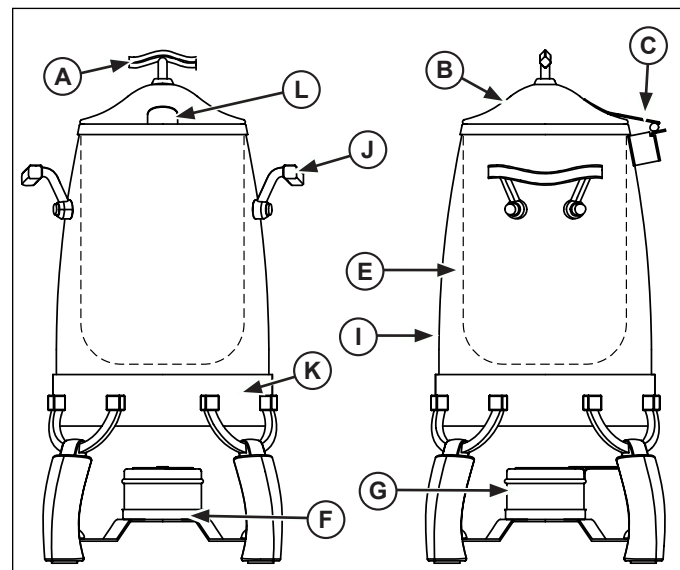


Figure 2. Soup Urn or Gravy Urn Features and Controls.

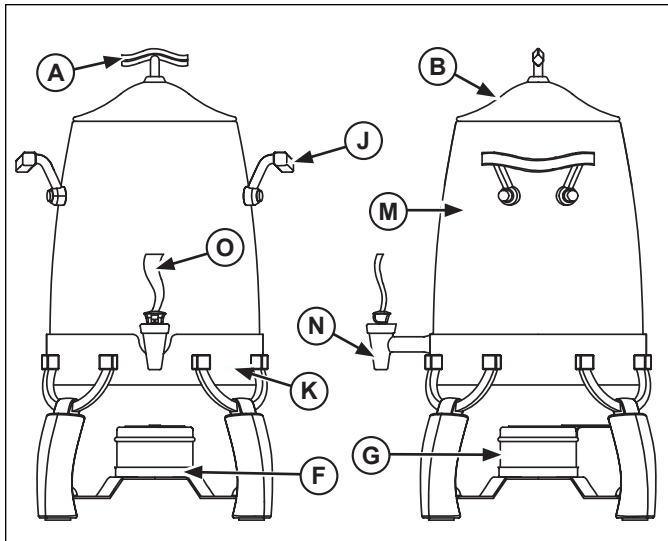


Figure 3. Coffee Urn Features and Controls.

- (A)** COVER HANDLE. Used to open and close the cover.
- (B)** COVER. Covers the food/beverage product.
- (C)** HINGE. Allows the cover to rotate.
- (D)** FOOD PAN. Holds the food product.
- (E)** INSERT. Holds the food product.
- (F)** HEATER/FUEL TRAY. Holds the electric chafer heater or chafer fuel.
- (G)** FUEL HOLDER with COVER. Designed to hold chafer fuel. Includes a paddle for extinguishing the fuel flame.
- (H)** WATER PAN. Holds the water.
- (I)** URN BODY. Holds the water.
- (J)** HANDLE. Used to lift the urn body.
- (K)** BASE. Supports the urn body or beverage body.
- (L)** UTENSIL CUTOUT. Opening that allows the handle of a serving utensil remain in the insert with the cover closed.
- (M)** BEVERAGE BODY. Holds the beverage product.
- (N)** FAUCET. Opening that the beverage flows through.
- (O)** FAUCET HANDLE. Controls the flow of beverage.

1. Remove the food pan (D) from the water pan (H) or remove the insert (E) from the urn body (I). See Figures 1 and 2.
2. Pour about 2 quarts (2 L) of clean fresh water into the water pan (H) or urn body (I).

**NOTE:**

Follow the manufacturer's instructions for usage and safety for the electric chafer heater of chafer fuel.

3. Put the cover (B) in the closed position. Preheat the water by using a universal electric chafer heater on "HI" or by using chafer fuel for 30 minutes.
4. Open the cover (B).
5. Place the food pan (D) or insert (E) containing food product that is already at proper serving temperatures into the water pan (H) or urn body (I). Close the cover (B).

**NOTE:**

Monitor food temperature closely for food safety. The United States Public Health Service recommends that hot food be held at a minimum of 140 °F (60 °C) to help prevent bacteria growth.

6. Regularly check the food temperature.
7. If necessary adjust the electric chafer heater between "HI" and "LO" to maintain correct food temperature.
8. When finished with the equipment turn the electric chafer heater to the "OFF" position and unplug or extinguish the flame on the chafer fuel source.
9. Open the cover (B). Remove the food pan (D) or the insert (E). When removing hot food containers from unit use gloves, mitts or pot holders to protect hands. See Figures 1 and 2.
10. Allow ample time for the water to cool. Remove the water pan (H) or the urn body (I) and dispose of water.

### CLEANING, TABLETOP HOT FOOD AND BEVERAGE

To maintain the appearance and increase the service life, clean your equipment daily.

1. Unplug the electric chafer heater or extinguish the flame on chafer fuel and let it completely cool.
2. Remove the heating source.
3. Wipe the unit exterior with a clean damp cloth.
4. For coffee urns: Thoroughly clean the inside of the beverage body (E) with hot water and mild soap. Run the hot soapy water through the faucet (H). Rinse the beverage body (E) and faucet (H) completely with warm water. Dry the equipment thoroughly.
5. Do not use abrasive materials, scratching cleansers or scouring pad to clean the unit. These can damage the finish.
6. Thoroughly wipe off any mild soap or chemical cleaners. Residue could corrode the surface of the unit.

## OPERATION, COLD BEVERAGE DISPENSERS

This equipment is designed to help keep beverages chilled and at proper serving temperature.

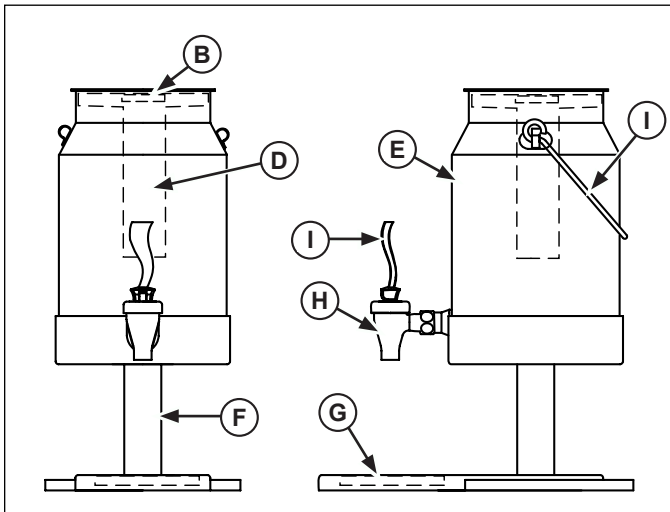


Figure 4. Milk Dispenser Features and Controls.

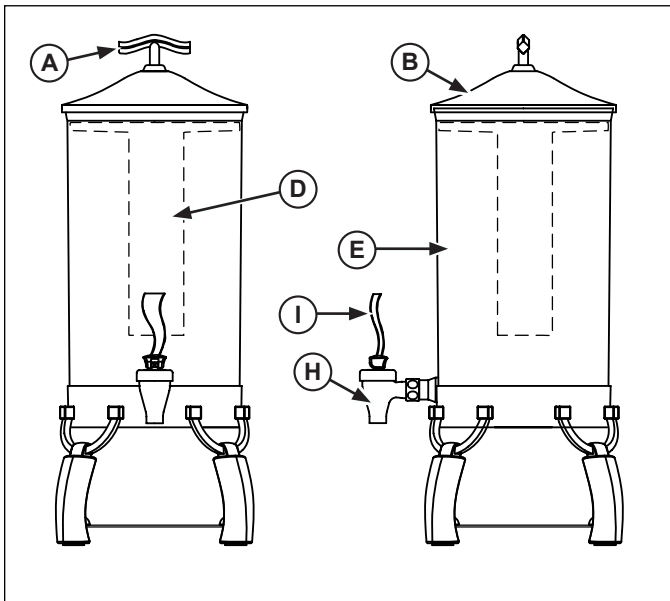


Figure 5. Juice and Beverage Features and Controls.

- (A) COVER HANDLE. Used to open and close the cover.
- (B) COVER. Covers the food/beverage product or ice tube.
- (C) HANDLE. For lifting or carrying the milk beverage body.
- (D) ICE TUBE. Holds ice to keep the beverage products cold.
- (E) BEVERAGE BODY. Holds the beverage product.
- (F) BASE. Supports the beverage dispenser.
- (G) DRIP COVER. Covers the drip trough on the base. Can be removed for cleaning.
- (H) FAUCET. Opening that the beverage flows through.
- (I) FAUCET HANDLE. Controls the flow of beverage.

1. Remove the cover (A) and ice tube (D). See Figure 4 and 5.
2. Place the pre-chilled beverage product into the beverage body (E). Leave room for the ice tube (D).
3. Fill the ice tube (D) with ice and place into the beverage body (E).

### NOTE:

**Monitor food temperature closely for food safety. The United States Public Health Service recommends that cold food/beverage be held at a maximum of 41 °F (5 °C) to help prevent bacteria growth.**

4. Regularly check the beverage temperature.
5. Remove the drip cover (G) from time to time and clean any spilled beverage.
6. When finished using the equipment remove cover (B). Remove and drain the ice tube (D).
7. Remove and empty the beverage body (E).

## CLEANING, COLD AND BEVERAGE

To maintain the appearance and increase the service life, clean your equipment daily.

### NOTE:

**Do not use ammonia based cleaners on acrylic or plastics. Do not use abrasive materials, scratching cleansers or scouring pad to clean the unit. These can damage the finish.**

1. Wipe the unit exterior with a clean damp cloth.
2. Thoroughly clean the inside of the beverage body (E) with hot water and mild soap. Run the hot soapy water through the faucet (H). Rinse the beverage body (E) and faucet (H) completely with warm water. Dry the equipment thoroughly.
3. Thoroughly wipe off any mild soap or chemical cleaners. Residue could corrode the surface of the unit.

## SETUP, CEREAL DISPENSER

Carefully remove crating or packaging materials from the unit. When no longer needed, dispose of all packaging materials in an environmentally responsible manner.

1. Set the food chute (F) into the base (D). See Figure 7. The food chute (F) is wider at the bottom. It fits onto the base (D) one way.
2. Set the paddle (H) into the food shoot (F) and align the holes.
3. Push the dispensing handle (E) through the holes of the paddle (H) and food chute (F).
4. Set the food tube (C) onto the base (D) and set the cover (B) into place.

## OPERATION, CEREAL DISPENSER

This equipment is designed to dispense cereal type food product. A variety of food products may be used with this dispenser.

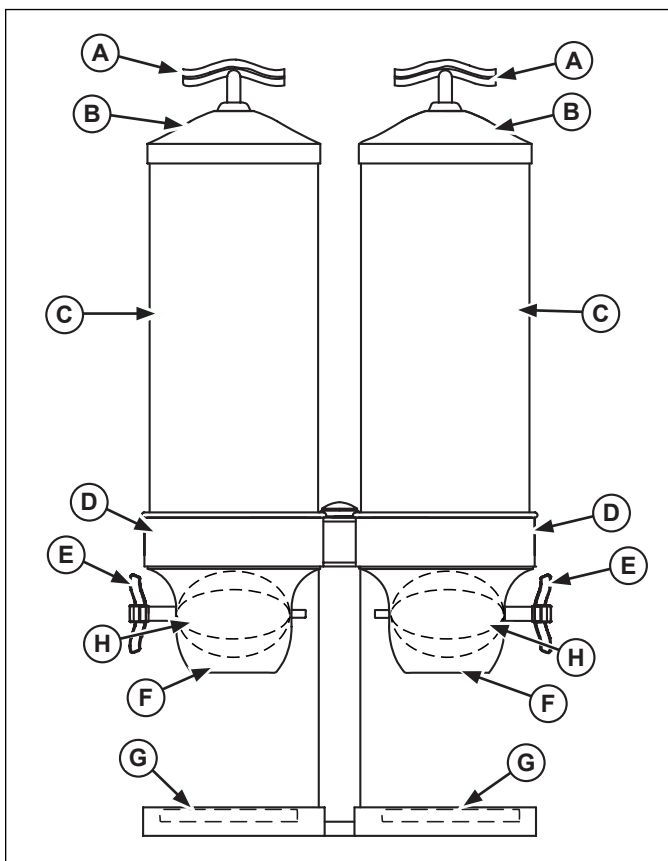


Figure 7. Cereal Dispenser Features and Controls.

- (A) COVER HANDLE. Used to open and close the cover.
- (B) COVER. Covers the food/beverage product.
- (C) FOOD TUBE. Holds the food product.
- (D) BASE. Holds food tube and dispensing mechanism.
- (E) DISPENSING HANDLE. Dispenses food product when rotated.
- (F) FOOD CHUTE. Area where the food product is dispensed.
- (G) DRIP COVER. Covers the drip trough on the base. Can be removed for cleaning.
- (H) PADDLE. Controls the flow of food product.

1. Remove the cover (B) and place the food product into the food tube (C) and return the cover (B). See Figure 7.
2. Place a bowl or other container under the food chute (F).
3. Rotate the dispensing handle (E) until the desired amount of food product has been dispensed.
4. Remove the drip cover (G) from time to time and clean any spilled food product.

## CLEANING, CEREAL DISPENSER

To maintain the appearance and increase the service life, clean your equipment daily.

### NOTE:

**Do not use ammonia based cleaners on acrylic or plastics. Do not use abrasive materials, scratching cleansers or scouring pad to clean the unit. These can damage the finish.**

1. Slide the dispensing handle (E) out of the food chute (F) and paddle. See Figure 7.
2. Lift the food tube (C), food chute (F) and cover (B) out of the base (D).
3. Remove the cover (B). Store or discard the food product following local food handling and storage codes. Retain the paddle (H) for reuse.
4. Thoroughly wash the components with hot soapy water and a soft cloth. Wipe the unit exterior with a clean damp cloth.

## INITIAL SETUP, DROP-IN CHAFER

Carefully remove crating or packaging materials from the unit. When no longer needed, dispose of all packaging materials in an environmentally responsible manner.

### For new installations:

Cutout dimensions are for reference only. Vollrath recommends that actual cutouts be made when the chafer is received. Small variances in chafers dimensions can happen and it is best to mate the chafer with the counter-top before cutting.

1. Cut out counter opening using chafers and Figure 6.

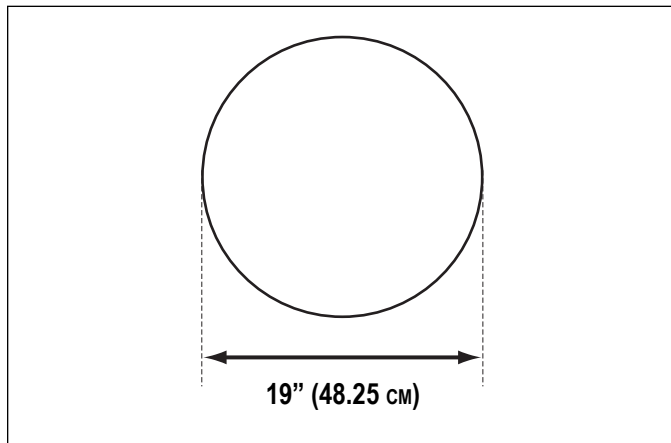


Figure 6. Cutout Dimensions.

2. Remove the food and water pan from the chafers.
3. Remove two (2) nuts from beneath spacer on underside rim of chafers.
4. Gently place chafers into the opening.
5. Decide which mounting clips are appropriate for your application (short clips for thin counters and long clips for thicker counters).
6. Using the hole that is already threaded start threading the thumbscrew into the clip approximately 1/2". Do not thread too far or you may not have enough room to insert the clip under the chafers in the next step.
7. From below, slide the clips over the studs where you removed the two nuts in step 3, so that the clip hangs down and points out from the chafers rim. Reattach nuts to the studs and tighten. Finish threading thumbscrews to tighten the chafers to the bottom side of the counter. This will work with either composite or stainless steel countertops.
8. Attach the heater tray assembly to the inside band of the chafers. Remove Phillips head screw from each side of band by hinge. Attach tray bracket so the tray is under the counter with the tray facing. Reattach screws.
9. Follow the steps in the OPERATION, DROP-IN CHAFER Section of this manual.

### For Retrofit Installations:

#### NOTE:

Always size the hole and make sure it meets min/max cut out dimensions below. Always receive the chafers and retrofit kits prior to cutting any countertops. Due to changes in manufacturer's specifications, and to different installation requirements, Vollrath's retrofit kits will fit a majority of installations. Extreme care must be made to measure cut out holes prior to ordering and installation.

Identify the model that you are replacing and measure the opening.

Round Adaptor Ring: Part# 46281 - Sized to replace Many round chafers of approximately 6 quart capacities.

Minimum Cutout Dimension: 18 5/8" diameter.

Maximum Cutout Dimension: 19-1/2" diameter.


#### NOTE:


**6 qt. Chafers are far less standardized in size than rectangle chafers. Measure everything carefully and confirm measurements with actual chafers before making final cut.**

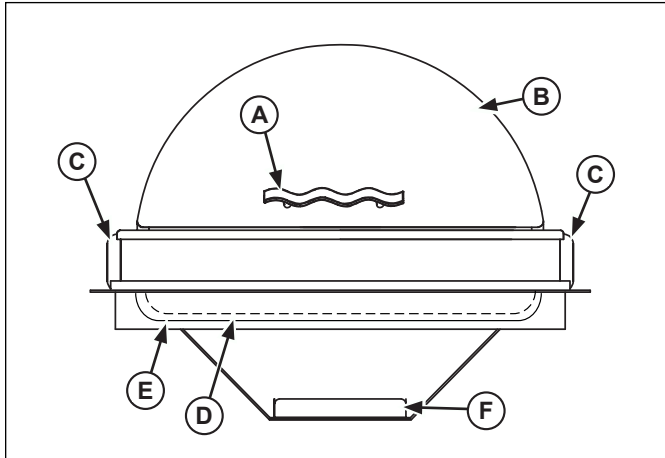
10. Place adaptor ring over opening. Remove cover, food and water pans from chafers and then place the chafers body into the adaptor opening and center both over the existing opening in the counter top.
11. Remove the two (2) nuts from beneath spacer on rim of chafers.
12. Decide which mounting clips are appropriate for your application (short clips for thin counters and long clips for thicker counters).
13. Using the hole that is already threaded start threading the thumbscrew into the clip approximately 1/2". Do not thread too far or you may not have enough room to insert the clip under the chafers in the next step.
14. From below, slide the clips over the studs where you removed the two nuts in step 3, so that the clip hangs down and points out from the chafers rim. Reattach nuts to the studs and tighten. Finish threading thumbscrews to tighten the chafers to the bottom side of the counter. This will work with either composite or stainless steel countertops.
15. Follow the steps in the OPERATION, DROP-IN CHAFER Section of this manual.

## OPERATION, DROP-IN CHAFER

This equipment is designed to heat with an **electric chafer heater only**.

	<b>⚠ WARNING</b>
	<p><b>Burn Hazard.</b> Do not touch heating surfaces, liquid, or while unit is heating or operating. Hot food, surfaces, steam and liquids can burn skin. Use gloves, mitts or pot holders if it is necessary to handle hot pans, plates and equipment.</p>

	<b>⚠ WARNING</b>
	<p><b>Electrical Shock Hazard.</b> Keep water and other liquids from entering the inside of the heater. Liquid inside the heater could cause an electrical shock. Do not damaged power cord.</p>



**Figure 7. Drop-In Chafer Features and Controls.**

- (A)** COVER HANDLE. Used to open and close the cover.
- (B)** COVER. Covers the food/beverage product.
- (C)** HINGE. Allows the cover to rotate.
- (D)** FOOD PAN. Holds the food product.
- (E)** WATER PAN. Holds the water.
- (F)** HEATER/FUEL TRAY. Holds the electric chafer heater.

1. Remove the food pan (D) from the water pan (E). See Figures 7.
2. Pour about 2 quarts (2 L) of clean fresh water into the water pan (E).

**NOTE:**

**Follow the manufacture's instructions for usage and safety for the electric chafer heater.**

3. Put the cover (B) in the closed position. Preheat the water by using a universal electric chafer heater on "HI" for 30 minutes.
4. Open the cover (B).
5. Place the food pan (D) containing food product that is already at proper serving temperatures into the water pan (E). Close the cover (B).

**NOTE:**

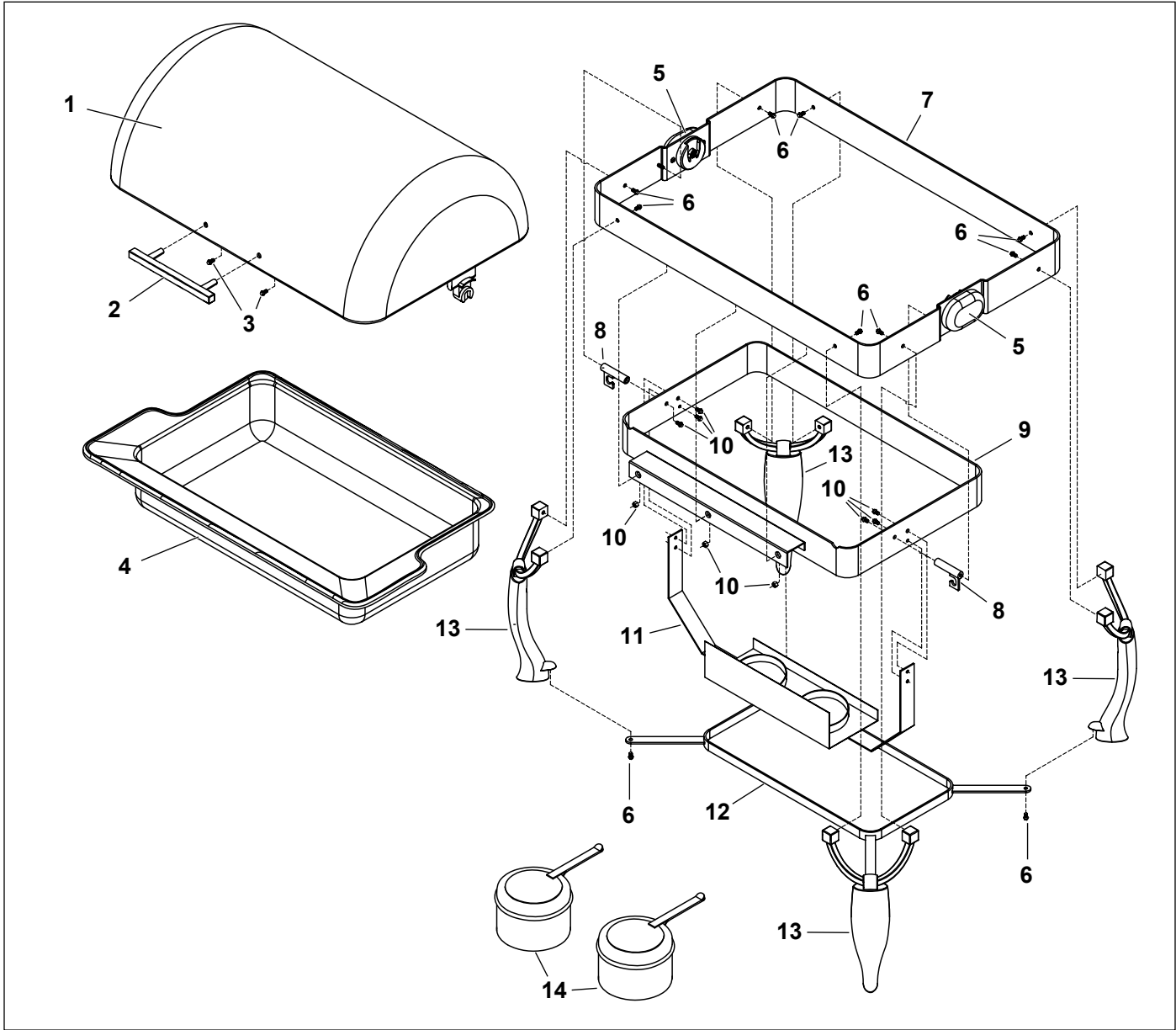
**Monitor food temperature closely for food safety. The United States Public Health Service recommends that hot food be held at a minimum of 140 °F (60 °C) to help prevent bacteria growth.**

6. Regularly check the food temperature.
7. If necessary adjust the electric chafer heater between "HI" and "LO" to maintain correct food temperature.
8. When finished with the equipment turn the electric chafer heater to the "OFF" position and unplug.
9. Open the cover (B). Remove the food pan (D). When removing hot food containers from unit use gloves, mitts or pot holders to protect hands. See Figures 6.
10. Allow ample time for the water to cool. Remove the water pan (E) and dispose of water.

## CLEANING, TABLETOP HOT FOOD AND BEVERAGE

To maintain the appearance and increase the service life, clean your equipment daily.

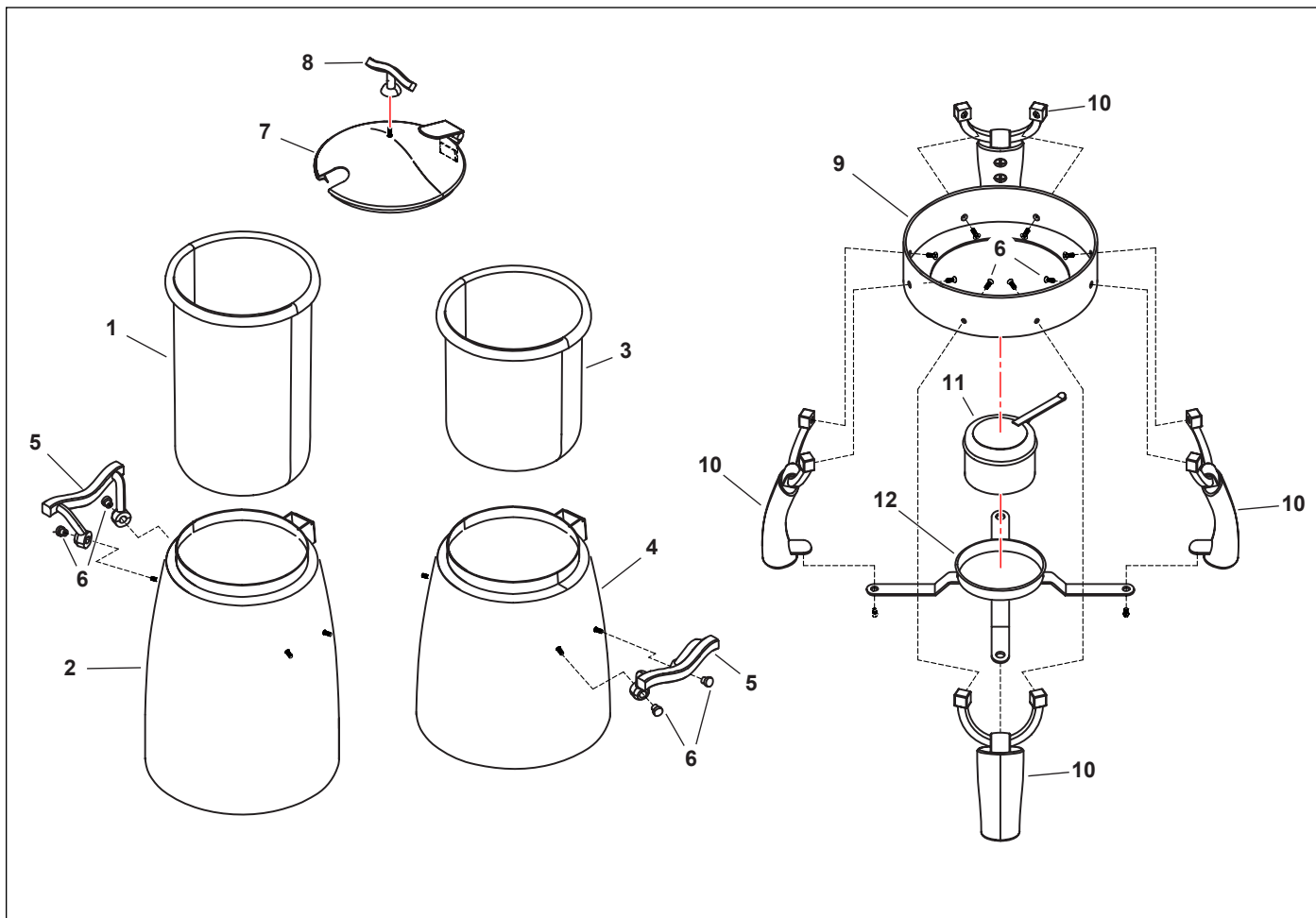
1. Unplug the electric chafer heater and let it completely cool.
2. Remove the heating source.
3. Wipe the unit exterior with a clean damp cloth.
4. Do not use abrasive materials, scratching cleansers or scouring pad to clean the unit. These can damage the finish.
5. Thoroughly wipe off any mild soap or chemical cleaners. Residue could corrode the surface of the unit.

**SPARE PARTS LIST - AND EXPLODED VIEW - MODEL 4634010**


Callout	Part Number	Description
1	4634020-1	Cover with Handle
2	N/A	Handle
3	N/A	Bolt, Hex Head
4	46259	Water Pan
5	K4634010-1	Hinge, Complete Assembly, Kit
6	N/A	Bolt, Hex Head
7	N/A	Outer Ring
8	N/A	Power Cord Support
9	N/A	Inner Ring
10	N/A	Nut and Screw

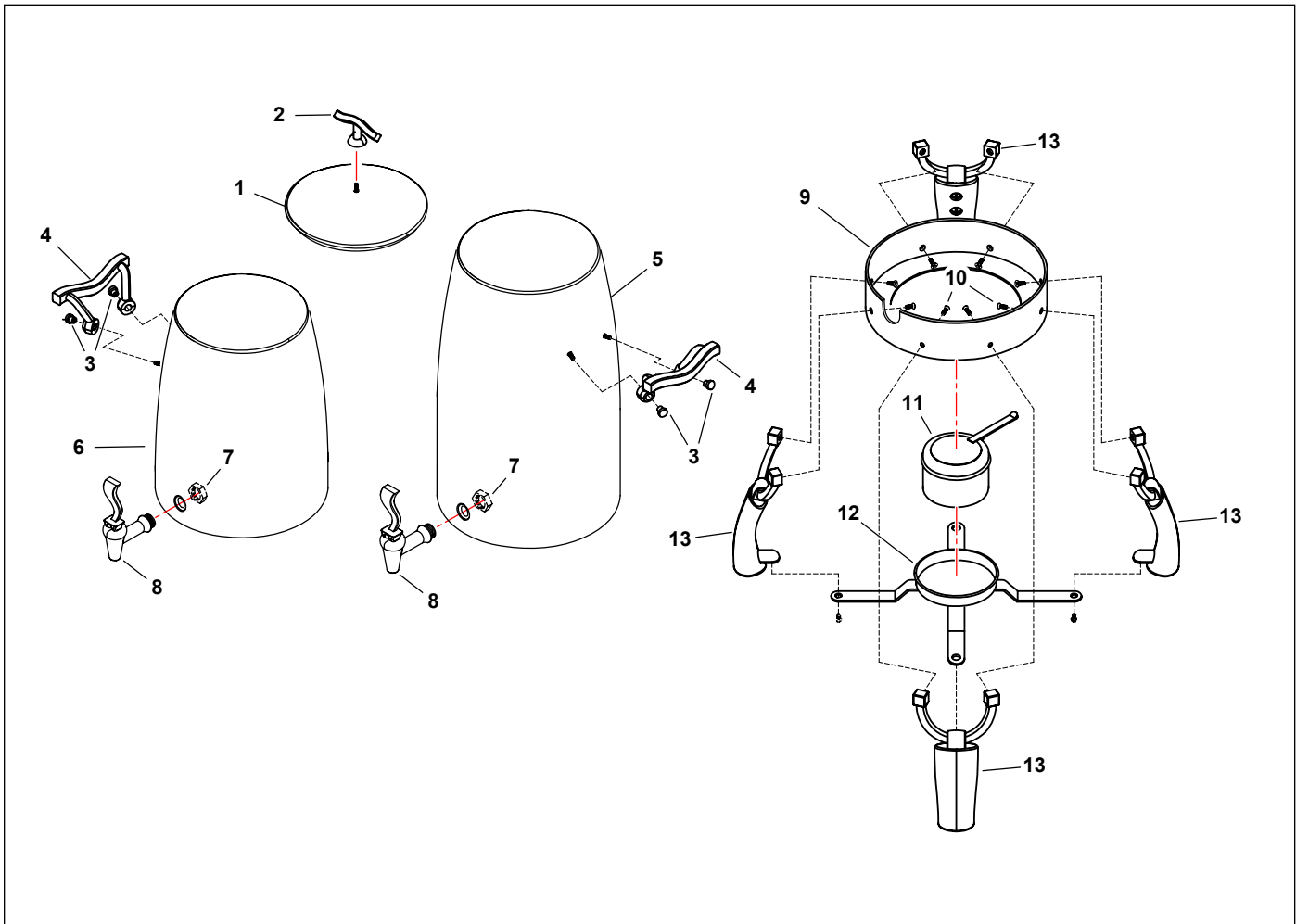
Callout	Part Number	Description
11	N/A	Fuel Band and Tray
12	N/A	Leg Frame
13	N/A	Leg with Yoke
14	46864	Fuel Holder with Cover
	N/A	Rubber Feet (not shown)
	K4634010-2	Kit, includes 2 Legs with Yoke, Leg Frame, Fuel Band and Tray, and all necessary hardware.
	K4634010-3	Kit, includes Handle and bolts, 4 Rubber Feet, and all hardware.

**SPARE PARTS LIST - AND EXPLODED VIEW - MODELS 4635710 AND 4635410**



ENGLISH

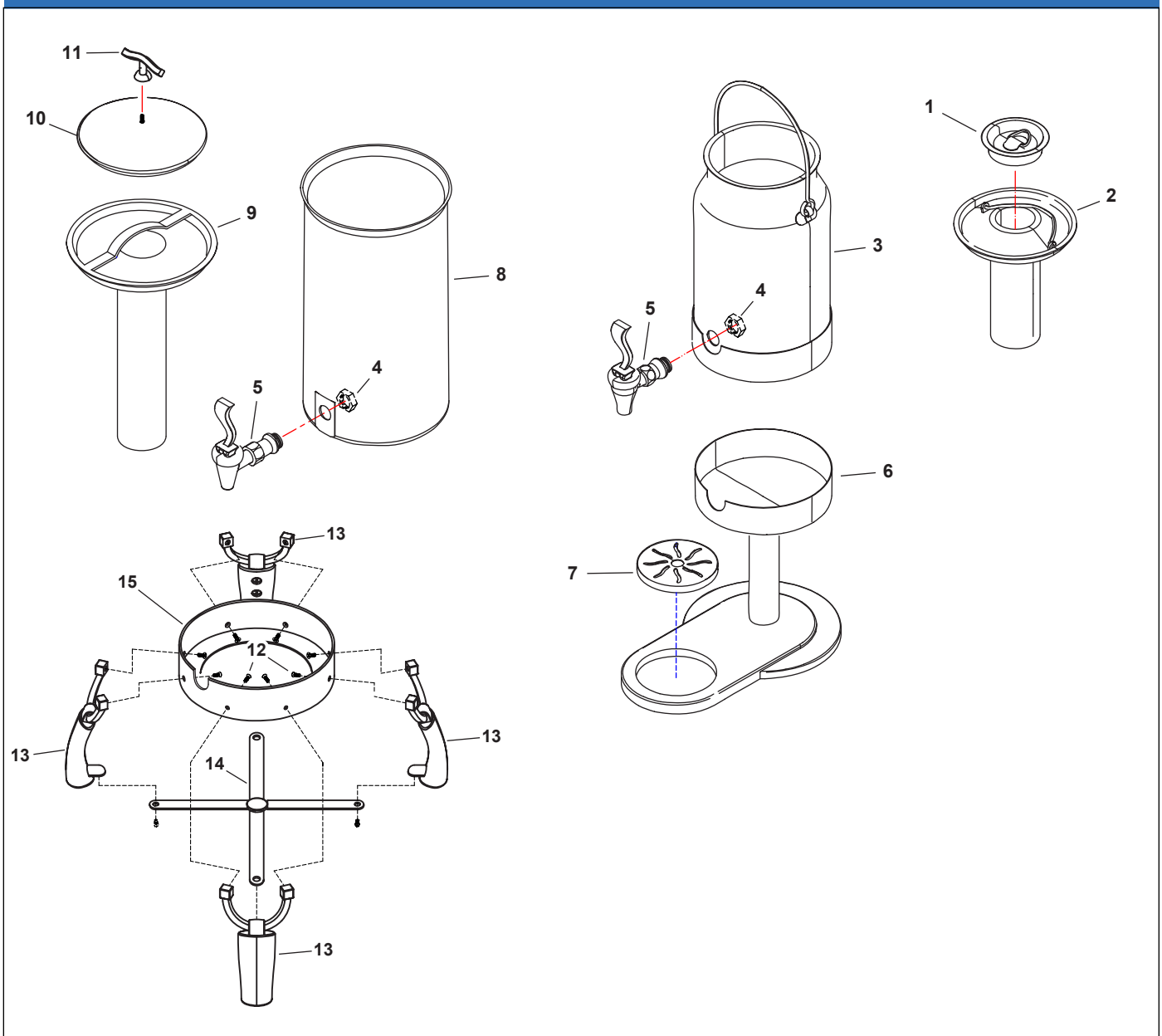
Callout	Part Number	Description
1	4635730-1	Soup Insert, 7 Quart
2	N/A	Soup Body, 7 Quart
3	4635430-1	Gravy Insert, 4 Quart
4	N/A	Gravy Body, 4 Quart
5	N/A	Handle, Side
6	N/A	Nuts, Special
7	4635720-1	Soup Cover with Handle
7	4635420-1	Gravy Cover with Handle
8	N/A	Handle
9	N/A	Stand Ring
10	N/A	Leg with Yoke
11	46864	Fuel Holder with Cover
12	N/A	Leg Frame
	N/A	Rubber Feet (not shown)
	K4635710-1	Leg Kit, includes 2 Legs with Yokes, Leg Frame and all hardware
	K4634020-1	Kit, includes 2 Side Handles, Special Nuts and 2 Rubber Feet.

**SPARE PARTS LIST - AND EXPLODED VIEW - MODEL 4635310 AND 4635510**


Callout	Part Number	Description
1	4635510-1	Cover with Handle
2	N/A	Handle, Cover
3	N/A	Bolt, Hex Head
4	N/A	Handle, Urn
5	K4635510-1	Coffee Urn, 5 gallon (includes Faucet Kit, Handle and hardware)
6	K4635310-1	Coffee Urn, 3 gallon (includes Faucet Kit, Handle and hardware)
7	N/A	Faucet Nut
8	K4635520-1	Faucet Assembly (includes Faucet Nut)
9	N/A	Ring
10	N/A	Nut and Screw

Callout	Part Number	Description
11	46864	Fuel Holder with Cover
12	N/A	Fuel Frame
13	N/A	Leg with Yoke
	N/A	Rubber Feet (not shown)
	K4635710-1	Leg Kit, includes 2 Legs with Yoke, Leg Frame, Fuel Band and Tray, and all necessary hardware.
	K4634020-1	Kit, includes Handle and bolts, 4 Rubber Feet, and all hardware.

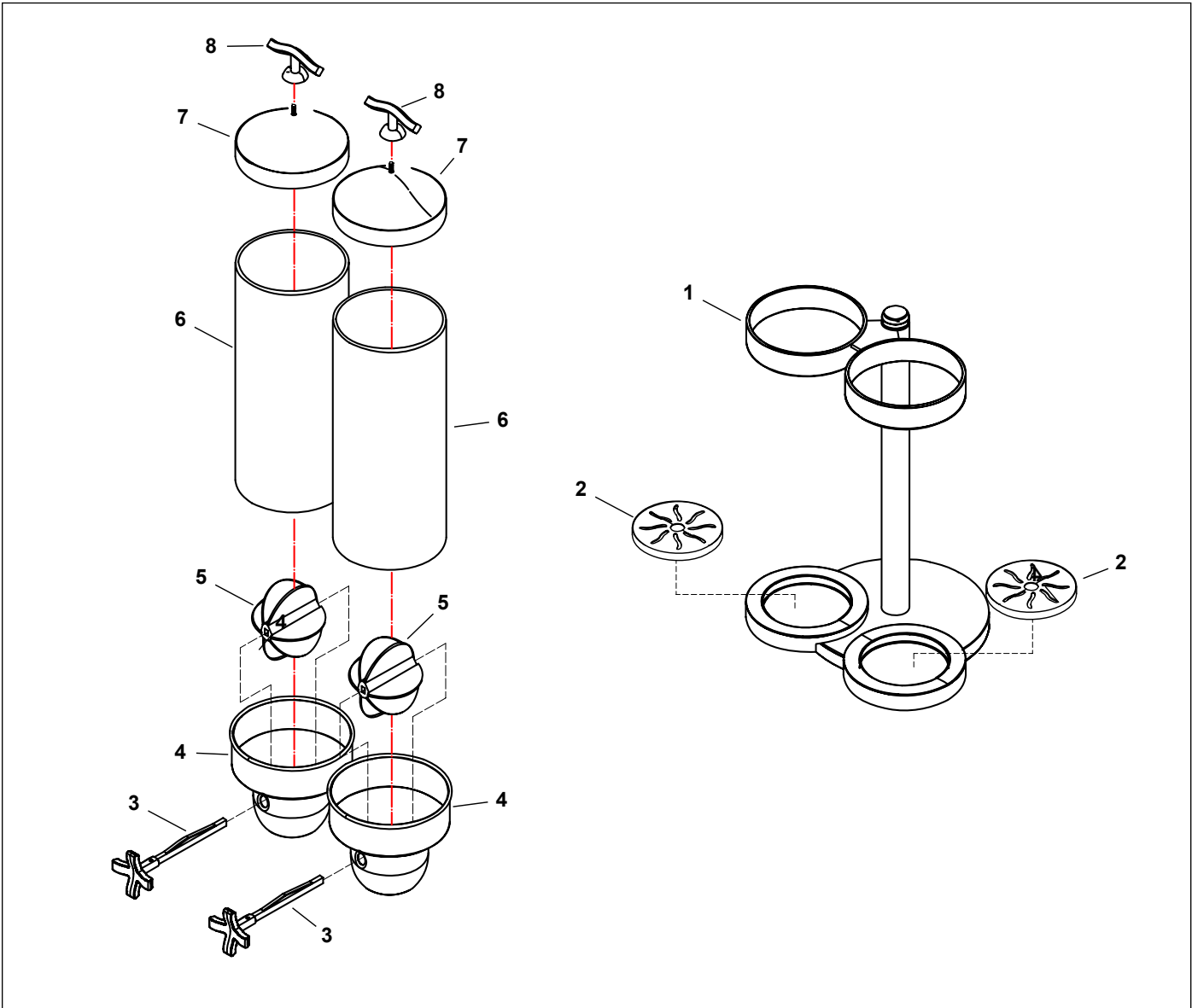
**SPARE PARTS LIST - AND EXPLODED VIEW - MODELS 4635810 AND 4635110**



ENGLISH

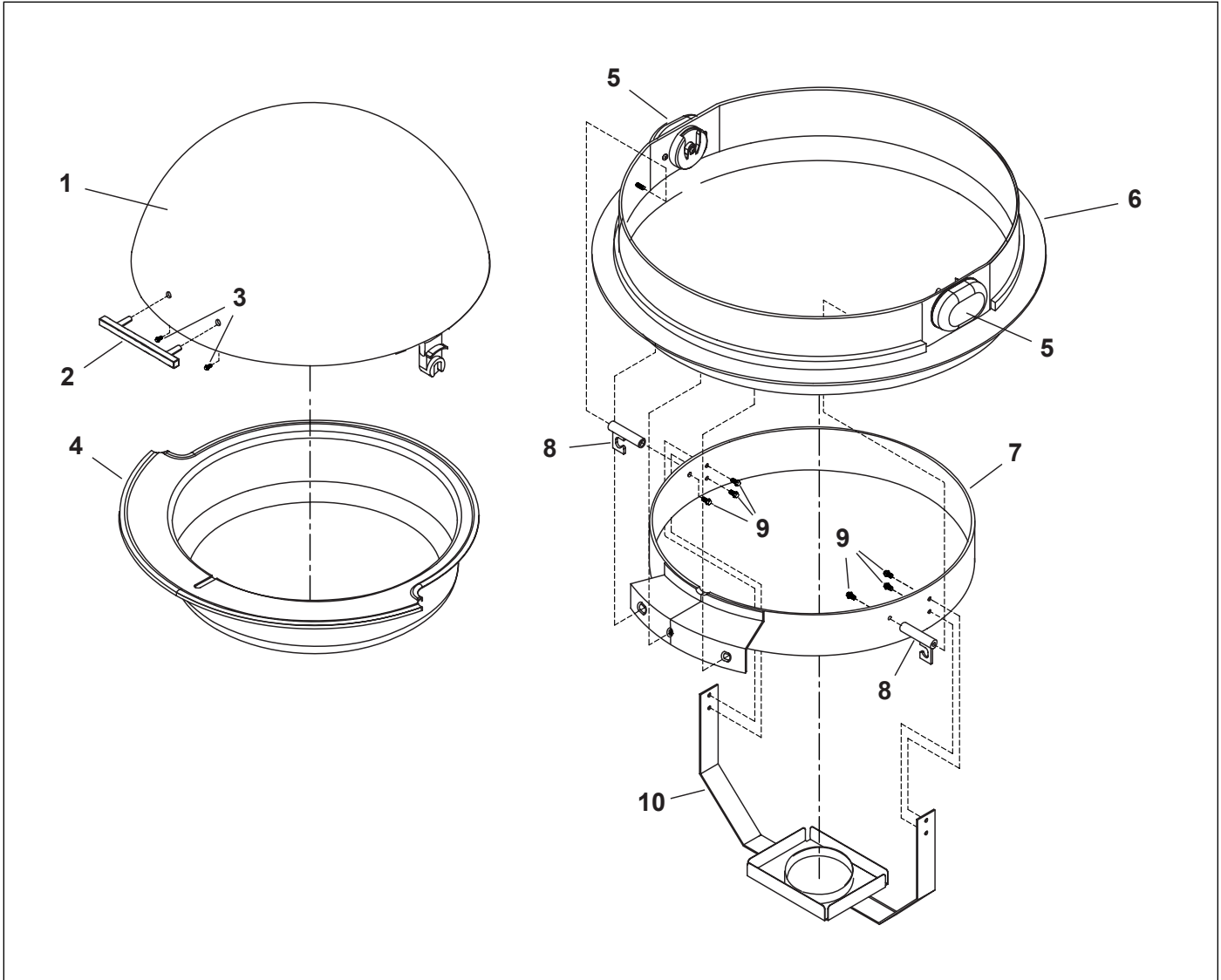
Callout	Part Number	Description
1	4635110-1	Cover, Ice Tube
2	4635120-1	Ice Tube, Milk
3	K4635110-1	Body, Milk (includes Faucet Kit, Handle and hardware)
4	N/A	Faucet Nut
5	K4635520-1	Faucet Kit (includes Faucet Nut)
6	4635130-1	Milk Base (includes Drip Cover)
7	4635210-1	Drip Cover
8	4635810-1	Body, Juice (includes Faucet Kit, Handle and Hardware)

Callout	Part Number	Description
9	4635820-1	Ice Tube, Juice
10	4635830-1	Cover, Juice (includes Handle)
11	N/A	Handle
12	N/A	Screws
13	N/A	Leg with Yoke
14	N/A	Cross Support
15	N/A	Ring
15	4635840-1	Kit, includes 2 Legs with Yokes, Leg Frame and all hardware

**SPARE PARTS LIST - AND EXPLODED VIEW - MODEL 4635210**


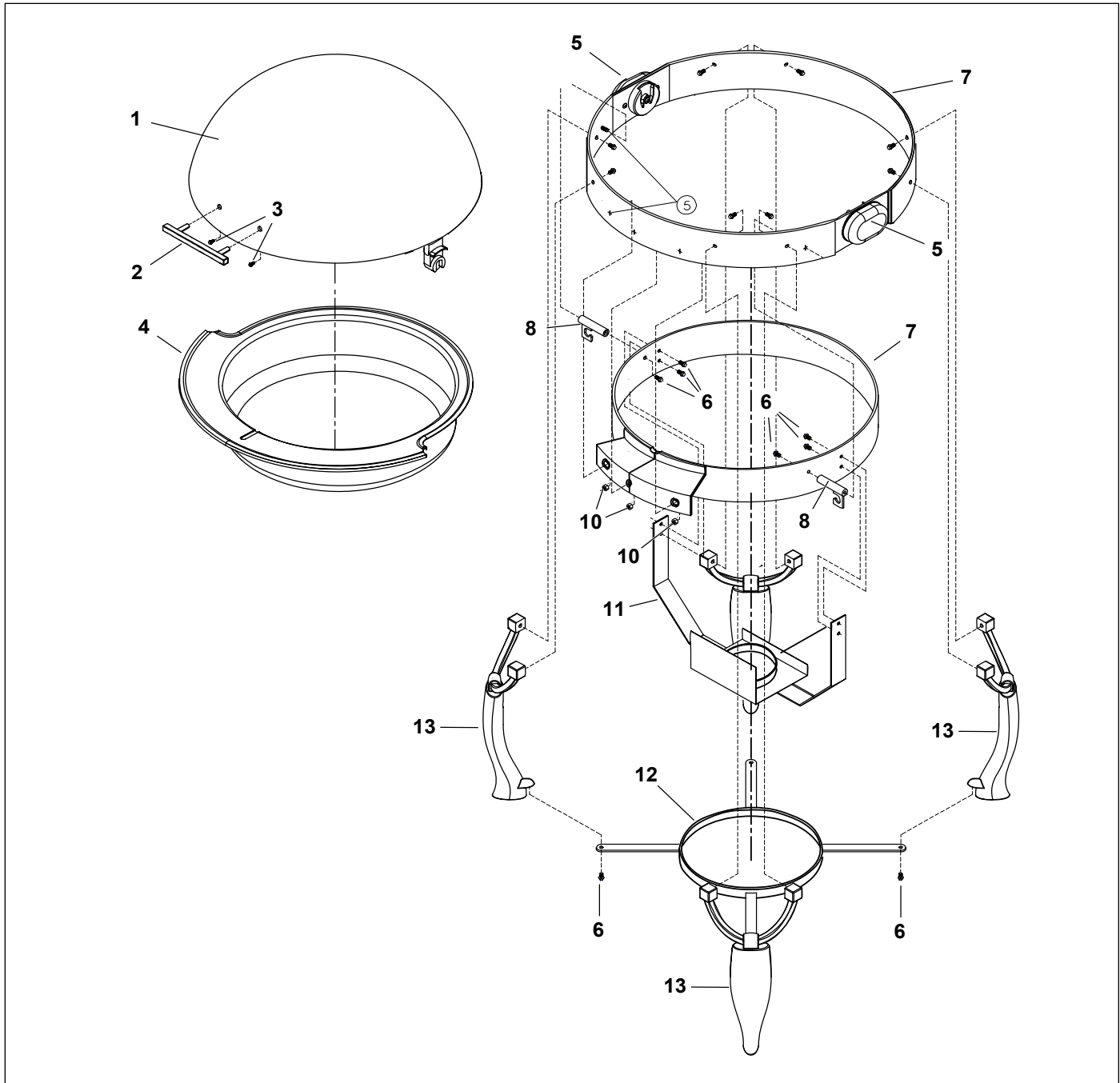
Callout	Part Number	Description
1	4635220-1	Base, Cereal (includes Cover)
2	<a href="#">4635210-1</a>	Cover, Drip
3	K4635210-1	Handle, Dispensing Kit (includes Food Chute)
4	N/A	Chute, Food
5	4635230-1	Paddle
6	4635240-1	Food Tube
7	4635250-1	Cover (includes Handle)
8	N/A	Handle

**SPARE PARTS LIST - AND EXPLODED VIEW - MODEL 4634110**



ENGLISH

Callout	Part Number	Description
1	4634130-1	Cover with Handle
2	N/A	Handle
3	N/A	Bolt, Hex Head
4	4634100-1	Water Pan
5	4634120-1	Hinge, Complete Assembly, Kit
6	N/A	Outer Ring
7	N/A	Inner Ring
8	N/A	Power Cord Support
9	N/A	Nut and Screw
10	N/A	Fuel Band and Tray

**SPARE PARTS LIST - AND EXPLODED VIEW - MODEL 4635610**


Callout	Part Number	Description
1	4634130-1	Cover with Handle
2	N/A	Handle
3	N/A	Bolt, Hex Head
4	4634100-1	Water Pan
5	K4634010-1	Hinge, Complete Assembly, Kit
6	N/A	Bolt, Hex Head
7	N/A	Outer Ring
8	N/A	Power Cord Support

9	N/A	Inner Ring
10	N/A	Nut and Screw
11	N/A	Fuel Band and Tray
12	N/A	Leg Frame
13	N/A	Leg with Yoke
	N/A	Rubber Feet (not shown)
	K4635610-1	Kit, includes 2 Legs with Yoke, Leg Frame, Fuel Band and Tray, and all necessary hardware.

## WARRANTY STATEMENT FOR THE VOLLRATH CO. L.L.C.

The Vollrath Company LLC warrants the products it manufactures and distributes against defects in materials and workmanship for a period of one year, except as specifically provided below. The warranty runs 12 months from the date of original installation. (End user receipt)

1. Refrigeration compressors – The warranty period is 5 years.
2. Replacement parts – The warranty period is 90 days.
3. Fry pans and coated cookware – The warranty period is 90 days
4. EverTite™ Riveting System – The warranty covers loose rivets only, forever.
5. Cayenne® Heat Strips – The warranty period is 1 year plus an additional 1 year period on heating element parts only.
6. Ultra and Professional Induction Ranges – The warranty period is 2 years.
7. Mirage and Commercial Induction ranges - The warranty period is 1 year.
8. ServeWell® Induction Workstations – The warranty period is one year on the workstation table and 2 years on induction hobs.
9. Slicers – The warranty period is 10 years on gears and 5 years on belts.
10. Mixers – The warranty period is 2 years.
11. Extended warranties are available at the time of sale.
12. Boxer Mixers – 1 Year exchange Warranty.
13. Vollrath – Redco products – The warranty period is 2 years.
14. Optio / Arkadia product lines – The warranty period is 90 days.
15. All non-stick products (i.e. fry pans and surfaces) are 90 days for the non stick surfaces.

All products in the Jacob's Pride® collection, including the following, have a lifetime warranty:

- NSF Certified One-Piece Dishers
- NSF Certified Spoodle® Utensils
- NSF Certified Heavy-Duty Spoons with Ergonomic Handle
- NSF Certified Heavy-Duty Basting Spoons
- Heavy duty Turners with Ergonomic handle
- One-Piece Tongs\*
- Heavy-Duty One-Piece Ladles\*
- Nylon Handle Whips
- One-Piece Skimmers
- Tribute®, Intrigue®, and Classic Select® Cookware\*

\*Jacob's Pride® warranty does not cover Kool-Touch®, non stick coatings and silicone handles.

### Items sold having no warranty:

- Meat Grinder Knives
- Light Bulbs in Convection Ovens and Hot Food Merchandiser
- Oven Door Seals
- Oven Door Glass
- Hot Food Merchandisers / Display Case Glass
- Calibration and set up of gas equipment
- Slicer / Dicer blades (table top food prep) – Redco and Vollrath

### THIS WARRANTY IS IN LIEU OF ANY OTHER WARRANTIES, EXPRESS OR IMPLIED, INCLUDING ANY IMPLIED WARRANTY OF MERCHANTABILITY OR FITNESS FOR A PARTICULAR PURPOSE

As The Vollrath Company LLC's only responsibility and the purchaser's only remedy, for any breach of warranty, The Vollrath Company LLC will repair or, at its option, replace the defective product or part without charge, except as otherwise provided below:

- For refrigeration compressors and the second year of the warranty on Cayenne® Heat Strips and mixers, The Vollrath Company LLC will provide the repaired or replacement part only; and the buyer will be responsible for all labor charges incurred in performing the repair or replacement.
- To obtain warranty service, the buyer will be responsible to return to The Vollrath Company LLC any product (other than gas equipment that is permanently installed) weighing less than 110 lbs. or located outside of a 50-mile radius of a certified technician designated by The Vollrath Company LLC to perform warranty repairs. If a Vollrath Technician cannot be contacted check the website for service contact points. (Please refer to the Product Catalogue for weights and sizes of product)
- No remedy will be available for products that have been damaged by accident, carelessness, improper installation, lack of proper setup or supervision when required, neglect, improper use, installation or operation contrary to installation and operating instructions or other causes not arising out of defects in materials or workmanship. At the buyer's request, The Vollrath Company LLC will repair and or replace such products at a reasonable cost.
- No remedy will be available for slicers where blade has not been sharpened (Refer to owner's manual for sharpening instructions)
- No remedy will be available for mixers damaged by changing gears while unit is running or overloading, in either case as determined by a Vollrath Certified Technician
- Warranty work must be authorized in advance by The Vollrath Company LLC. See the operating and safety instructions for each product for detailed warranty claim procedures.
- No remedy will be available for product returned and found to be acceptable to the product specification.
- No remedy will be available under any warranty not registered as required below.

#### LIMITATION OF LIABILITY:

**THE VOLLRATH COMPANY LLC SHALL HAVE NO LIABILITY FOR INCIDENTAL OR CONSEQUENTIAL DAMAGES OF ANY KIND, WHETHER BASED UPON NEGLIGENCE OR OTHER TORT, BREACH OF WARRANTY, OR ANY OTHER THEORY.**

## WARRANTY PROCEDURE

On all warranty calls, the following process and information is required:

- All warranty claims will start with a call to Vollrath Technical Service support line (800-628-0832).
- A technical support professional will work to diagnose the issues, and provide the details for the service solution.
- Name and phone number of person calling
- Business name, street address, city, state and zip
- Model and serial number
- Date of purchase and proof of purchase (Receipt)
- Name of dealer where unit was purchased

NOTE: Vollrath will not accept products sent without the proper procedure being followed.

### Important:

TO MAKE A CLAIM FOR ANY REMEDY UNDER THIS WARRANTY, YOU MUST REGISTER YOUR WARRANTY.

## REGISTER TODAY

ONLINE: Register your warranty on-line now at [www.Vollrathco.com](http://www.Vollrathco.com)

NO WEB ACCESS: If you do not have access to the web, kindly register by completing the warranty registration form and faxing it to The Vollrath Co. LLC office in the country of purchase.

PRODUCT REGISTRATION			
BUSINESS NAME			
KEY CONTACT NAME		EMAIL	
STREET ADDRESS			
CITY	STATE	ZIP CODE	
COUNTRY	PHONE	FAX	
MODEL		ITEM NUMBER	
SERIAL NUMBER	<input type="text"/>	-	<input type="text"/>
OPERATION TYPE			
<input type="checkbox"/> Limited Service Restaurant	<input type="checkbox"/> Full Service Restaurant	<input type="checkbox"/> Bars and Taverns	<input type="checkbox"/> Supermarket
<input type="checkbox"/> Convenience Store	<input type="checkbox"/> Recreation	<input type="checkbox"/> Hotel/Lodging	<input type="checkbox"/> Airlines
<input type="checkbox"/> Business/Industry	<input type="checkbox"/> Primary/Secondary School	<input type="checkbox"/> Colleges/University	<input type="checkbox"/> Hospitals
<input type="checkbox"/> Long-Term Care	<input type="checkbox"/> Senior Living	<input type="checkbox"/> Military	<input type="checkbox"/> Corrections
REASON FOR SELECTING OUR PRODUCT			
<input type="checkbox"/> Appearance	<input type="checkbox"/> Full Service Restaurant	<input type="checkbox"/> Availability	<input type="checkbox"/> Sellers Recommendation
<input type="checkbox"/> Ease of Operation	<input type="checkbox"/> Versatility of Use	<input type="checkbox"/> Price	<input type="checkbox"/> Brand
WOULD YOU LIKE TO RECEIVE OUR FULL-LINE CATALOG AND REMAIN ON OUR MAILING LIST?			<input type="checkbox"/> Yes <input type="checkbox"/> No



[www.vollrathco.com](http://www.vollrathco.com)

The Vollrath Company, L.L.C.  
1236 North 18th Street  
Sheboygan, WI 53081-3201  
U.S.A.

Main Tel: 920.457.4851  
Fax: 800.752.5620

Technical Services: 800.628.0832  
Service Fax: 920.459.5462

Canada Service: 800.695.8560

© 2013 The Vollrath Company, L.L.C.