

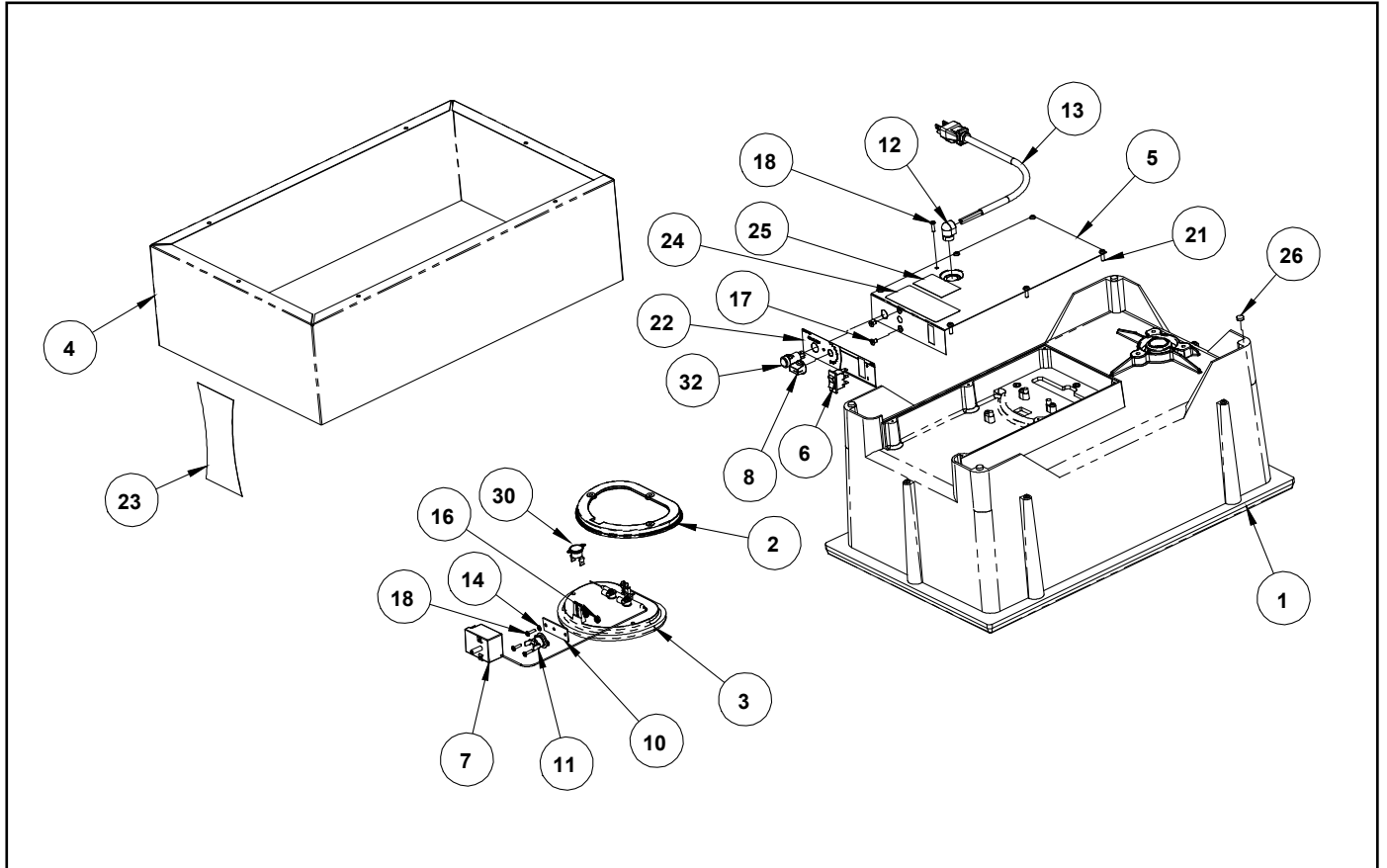
## Spare Parts List

Item Number ~ 72023, 72020

Callout	Part Number	Description
1	17256-3	WELL
2	<a href="#">17418-1</a>	"D" SHAPED HEATER GASKET
3	<a href="#">17020-3</a>	HEATER D-SHAPED, 120V,1000W
3		HEATER D-SHAPED, 120V,1440W
4	17010-3	HOUSING (SATIN CHROME)
5	<a href="#">23685-3</a>	PANEL, CONTROL
6	<a href="#">17019-3</a>	SWITCH, ROCKER, LIGHTED,120V
7	<a href="#">17014-3</a>	THERMOSTAT, SHORT CAPILLARY
8		KNOB, CONTROL
9	17421-1	
10		HI LIMIT PLATE
11	<a href="#">17015-1</a>	THERMOSTAT, HIGH LIMIT
12	<a href="#">17117-3</a>	STRAIN RELIEF
13	<a href="#">17023-1</a>	CORD, POWER, 120V, 5-15P
14	<a href="#">25181-3</a>	#6 WASHER, INTERNAL STAR
16	<a href="#">17019-3</a>	#6-32 KEPS NUT
17	17256-3	SCREW, 4MM x 7MM SCREW
18	17020-1	SCREW, #6-32 x 1/2"
21	17018-3	SCREW, 8-32 x 1/2"
22	<a href="#">17418-1</a>	LABEL, CONTROL
23	17485-1	LABEL, PRODUCT
24	17419-1	LABEL, RATING
25	17346-1	RETHEM INFORMATION DECAL
26	<a href="#">17015-1</a>	FEET
30	<a href="#">25438-1</a>	LOW WATER SENSOR SWITCH
32	<a href="#">1755901-1</a>	LIGHT, BLUE, 120V

# Exploded View

Item Number ~ 72023, 72020



## Spare Parts List

Item Number ~ 72630, 72550

Callout	Part Number	Description
1	<a href="#">44640-2</a>	HOUSING
2	44613-2	CONTROL PANEL
3	<a href="#">23471-1</a>	Switch, Lighted, 220 - 230V
4	<a href="#">17074-1</a>	THERMOSTAT
5	<a href="#">17012-1</a>	CONTROL KNOB
6	<a href="#">17741-3</a>	LOOP CLAMP
7	<a href="#">44459-2</a>	BRACKET, HIGH LIMIT SWITCH
8	<a href="#">17504-1</a>	HIGH LIMIT SWITCH
9	<a href="#">17528-1</a>	WELL
10	<a href="#">17868-1</a>	O-RING, ELEMENT
11	44271 -1	Heating Element, 220 - 230V ~ 1000 Watt
12	<a href="#">17024-3</a>	STRAIN RELIEF
13	<a href="#">17249-1</a>	POWER CORD, Shuko, (Model 72630)
13	<a href="#">17023-1</a>	POWER CORD, UK, (Model 72550)
14	17256-3	SCREW, 4mm x 7mm
15	<a href="#">17418-1</a>	LABEL, CONTROL KNOB
16	<a href="#">17020-3</a>	SCREW, #6-32 x 1/2"
17		WASHER, LOCK, #10 INTERNAL TOOTH
18	17010-3	SCREW, #8-32 x 1"
19	<a href="#">23685-3</a>	LOCKNUT, #8-32
20	<a href="#">17019-3</a>	NUT, #6-32 KEPS
21	<a href="#">17014-3</a>	SCREW, #10-24 x 1/2"
22		SCREW, #8-32 x 1/2"
23	17421-1	LABEL - PRODUCT
24		
25	<a href="#">17015-1</a>	FOOT
26	<a href="#">17117-3</a>	SCREW, #10-24 x 1/4"

# Exploded View

Item Number ~ 72630, 72550

