

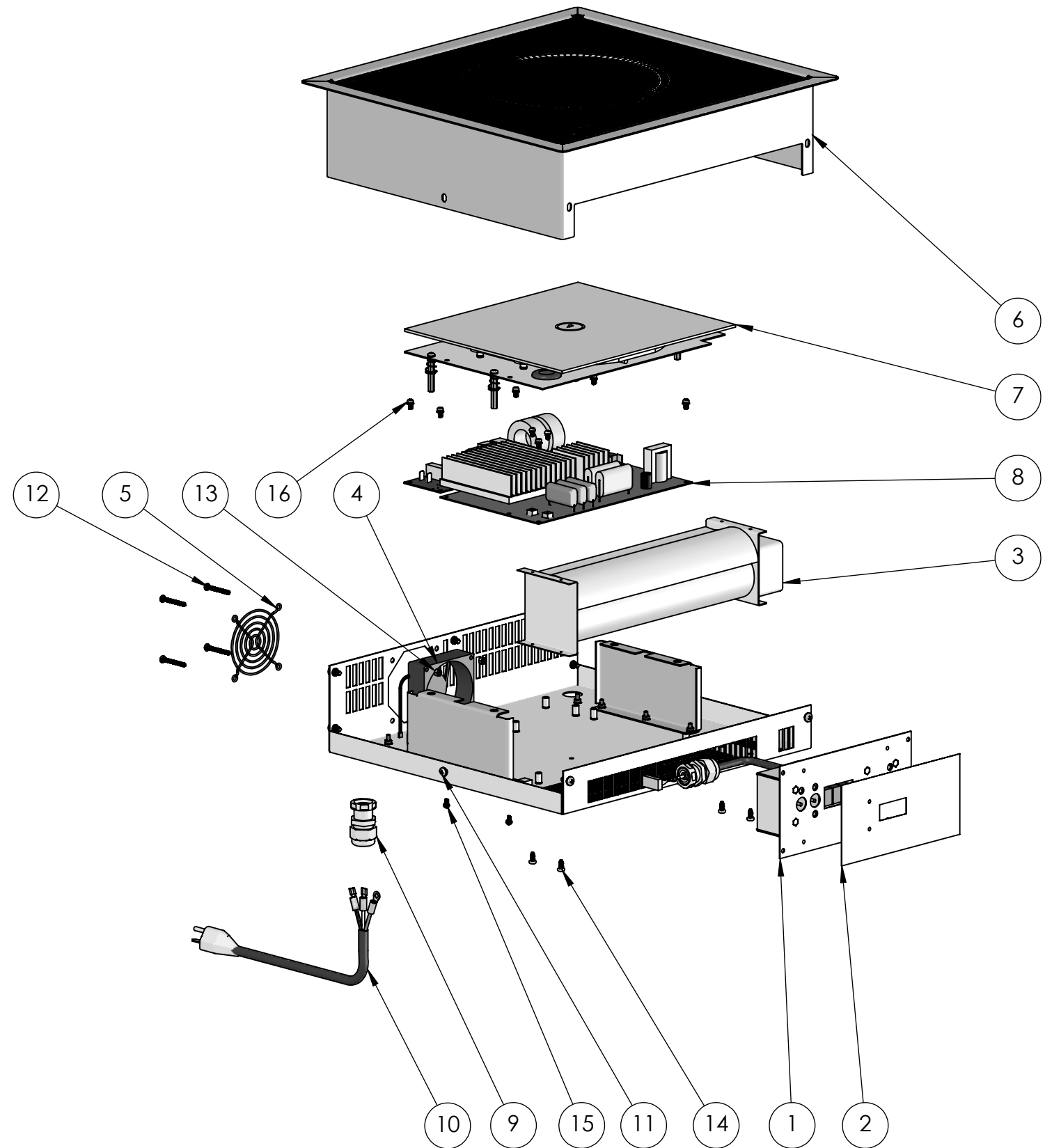


REPLACEMENT PARTS

| ITEM NO. | PART NUMBER | DESCRIPTION | 69505 QTY. | 69521 QTY. |
|----------|-------------|--------------------------------|------------|------------|
| 1 | 630301-2 | CONTROL BOX ASY 69505 / 69508 | 1 | 0 |
| | 630302-2 | CONTROL BOX ASY 69521 / 69524 | 0 | 1 |
| 2 | 250853-1 | 69505/508 MYLARS | 1 | 0 |
| | 250857-1 | 69521-524 MYLARS | 0 | 1 |
| 3 | 250455-1 | AC COOLING FAN | 1 | 1 |
| 4 | 250450-1 | SMALL DC FAN | 1 | 1 |
| 5 | 250456-1 | SMALL DC FAN GUARD | 1 | 1 |
| 6 | 352561-1 | 69505/69521 TOP GLASS ASSEMBLY | 1 | 1 |
| 7 | 710102-2 | Coil Tray Subassembly | 1 | 1 |
| 8 | 352563-1 | 69505 EMI AND POWER BOARD KIT | 1 | 0 |
| | 352564-1 | 69521 EMI AND POWER BOARD KIT | 0 | 1 |
| 9 | 352344-1 | STRAIN RELIEF/LOCK NUT | 1 | 1 |
| 10 | 251552-1 | 6-20P POWER CORD - TERMINATED | 1 | 1 |

FASTENERS (GENERAL SPECIFICATION)

| ITEM NO. | DESCRIPTION |
|----------|--|
| 11 | SCREW - MACHINE, M5X12MM, W/ LOCK WASHER |
| 12 | SCREW - MACHINE, M4X35MM |
| 13 | NUT-HEX, M4, NYLON INSERT |
| 14 | SCREW, SHEET METAL, M4X10MM |
| 15 | SCREW, 6-32 X 1/4" |
| 16 | SCREW, M4X8MM |



OPENING THE UNIT VOIDS WARRANTY