

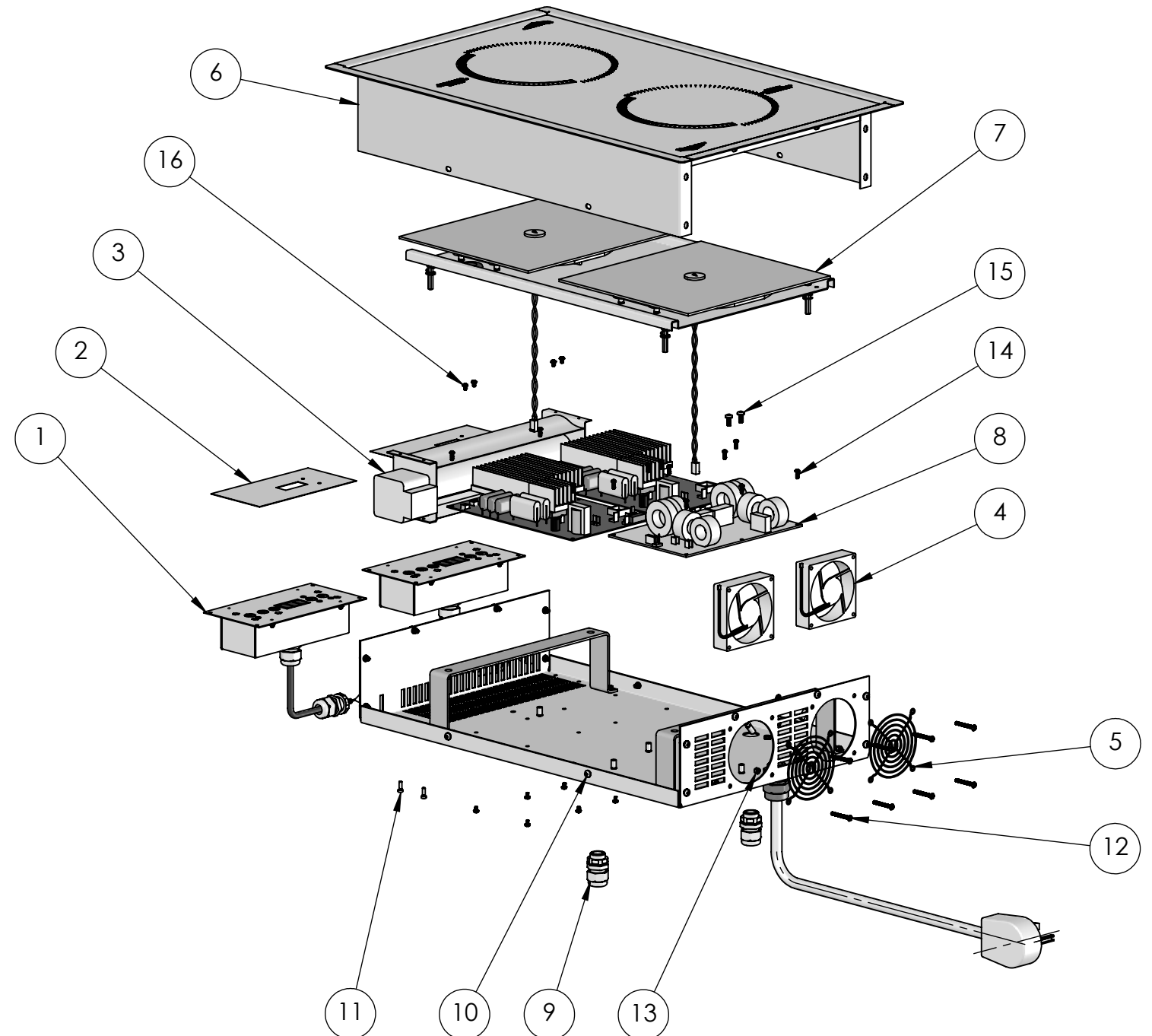


### REPLACEMENT PARTS

ITEM NO.	PART NUMBER	DESCRIPTION	69508 QTY.	69524 QTY.
1	630301-2	CONTROL BOX ASY 69505 / 69508	2	0
	630302-2	CONTROL BOX ASY 69521 / 69524	0	2
2	250853-1	69505/69508 MYLARS	2	0
	250857-1	69521/69524 MYLARS	0	2
3	250455-1	AC COOLING FAN	1	1
4	352367-2	DC FAN KIT	1	1
5	250457-1	LARGE DC FAN GUARD	2	2
6	352364-2	69508/69524 TOP GLASS ASSEMBLY	1	1
7	711001-2	COIL TRAY HOLDER SUBASSEMBLY	1	1
8	352363-1	EMI & POWER BOARD KIT - 69508	1	0
	352359-1	EMI & POWER BOARD KIT - 69524	0	1
9	352344-1	STRAIN RELIEF & LOCK NUT KIT	2	2

### FASTENERS (GENERAL SPECIFICATION)

ITEM NO.	DESCRIPTION
10	SCREW - MACHINE, M5X12MM, W/ LOCK WASHER
11	SCREW - SHEET METAL, M4X12MM, SELF-TAPPING
12	SCREW - MACHINE, M4X35MM
13	NUT-HEX, M4, NYLON INSERT
14	SCREW, M4X10MM
15	SCREW, 10-32 X 1/2"
16	SCREW, 6-32 X 1/4"



OPENING THE UNIT VOIDS WARRANTY