

# Operator's Manual

## Conveyor Bagel and Bun Toasters

Models JT1B, JT1BH

Thank you for purchasing this Vollrath equipment. Before operating the equipment, read and familiarize yourself with the following operating and safety instructions. **SAVE THESE INSTRUCTIONS FOR FUTURE REFERENCE.** Save the original box and packaging. Use this packaging to ship the equipment if repairs are needed.

### SAFETY PRECAUTIONS

To ensure safe operation, read the following statements and understand their meaning. This manual contains safety precautions which are explained below. Please read carefully.

#### **WARNING**

Warning is used to indicate the presence of a hazard that will or can cause severe personal injury or death.

#### **CAUTION**

Caution is used to indicate the presence of a hazard that will or can cause minor or major personal injury if the caution is ignored.

**NOTICE:** Notice is used to note information that is important but not hazard-related.

#### **To reduce risk of injury or damage to the equipment**

- Plug only into grounded electrical outlets matching the voltage on the rating plate.
- Use this equipment in a flat, level position.
- Unplug equipment and let it cool before cleaning or moving. Equipment remains hot after it is turned off.
- Do not touch during operation. Unplug when not in use.
- Keep equipment and power cord away from open flames, electric burners or excessive heat.
- Do not operate unattended.
- Closely supervise equipment operating in public areas and/or around children.
- Do not operate if equipment has been damaged or is malfunctioning in any way.

### FUNCTION AND PURPOSE

This equipment is intended to toast bread products. It is intended for use in commercial foodservice operations only. It is not intended for household, industrial or laboratory use.



Item No.	Model	Description
CT2B-120500	JT1B	Bagel/bun toaster, 120V, 500 slices per hour
CT2BH-120400	JT1BH	Bagel/bun toaster, 120V, 400 slices per hour, high clearance

### CLEARANCE AND ENVIRONMENT REQUIREMENTS

Do not place on surfaces or near walls, partitions or kitchen furniture unless they are made of non-combustible material or clad with non-combustible heat-insulating material. Toasters must not be used near or below curtains and other combustible materials.

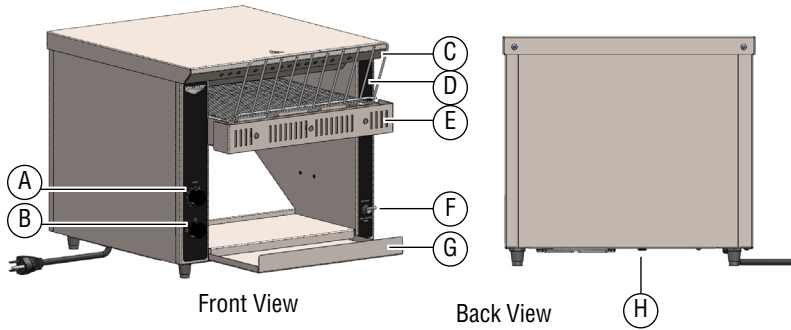
Do not place the toaster adjacent to a heat producing appliance.

### BEFORE FIRST USE

1. Clean the toaster. See "Daily Cleaning" on page 2.
2. Insert the crumb tray. Make sure the feed ramp is placed in the up position.

Register your product at [Vollrath.com/registration](http://Vollrath.com/registration) and become eligible to win a free 10" Vollrath Tribute® fry pan.

## FEATURES



- A Conveyor Speed Control Knob**
- B Power Knob**
  - | Full Power - Maximum heat
  - Off
  - Standby - Reduces electrical consumption by 75%.
- C Heat Shield** - Swings open on the high-clearance toasters
- D Feed Ramp**
- E Crumb Tray**
- F Toggle Switch** - Switches between heat modes
  - Top** - Toasts both sides
  - Top-Bottom** - Toasts the top side, warms the bottom side
- G Collection Pan**
- H Reset Button**

## OPERATION

**CAUTION**  
**Burn Hazard**  
 Do not touch the equipment while it is heating or operating. Hot surfaces can burn skin.

**NOTICE:** The crumb tray must be installed in the toaster during operation. Failure to install the crumb tray will cause the toaster to overheat.

### Tips

Bread Product	Suggestions
Bagels, wheat or rye bread or products with high moisture content	Use a slower conveyor speed.
Buttered or coated, such as pastries	Not recommended.
Frozen	Must be thawed before toasting.

### Preheat

1. Plug the toaster into a grounded electrical outlet that matches the rating on the name plate found on the back of the toaster.

**NOTICE:** Using a voltage other than the nameplate rated voltage will cause damage to the unit. Incorrect voltage, modification to the power cord or electrical components can damage unit and will void the warranty.

2. Rotate the power knob to the full power position (I).
3. Flip the toggle switch to appropriate setting, Top or Top-Bottom.
4. Set the conveyor speed control knob to 7.
5. Wait 5 minutes for the toaster to preheat.

### Test

1. Adjust the settings for the product to be toasted. Test the settings by placing a sample of the bread items to be toasted onto the feed ramp. Place bagels or buns with the cut side facing up.
2. Evaluate the results.

### Toast

1. Adjust the conveyor speed as needed to achieve desired browning.
  - Toast too light: Rotate the speed control knob to a lower number to reduce the speed and darken the toast.
  - Toast too dark: Rotate the speed control knob to a higher number to increase the speed control and lighten the toast.
2. For best performance do not overload the toaster. Wait a few seconds before loading a second row of bread products into the toaster.

### If Bread Becomes Stuck

1. Rotate the power knob to the OFF position (O) and unplug the toaster.
2. Let the toaster cool completely.
3. Use a tong to remove the bread item. Take care to not bump the glass heating elements above and below the conveyor.

## CLEANING

**WARNING**  
**Electrical Shock Hazard**  
 Do not spray water or cleaning products. Liquid could contact the electrical components and cause a short circuit or an electrical shock.

**CAUTION**  
**Burn Hazard**  
 Allow equipment to cool before moving or cleaning.

**NOTICE:** Do not use abrasive materials, scratching cleansers or scouring pads to clean the exterior of the equipment. These can damage the finish.

**NOTICE:** Do not spray the controls or outside of equipment with liquids or cleaning agents.


### Daily Cleaning

1. Rotate the power knob to the OFF position (O) and unplug the toaster.
2. Let the toaster cool completely.
3. Slightly dampen a soft cloth with warm water.
4. Use the dampened cloth to clean the exterior of the toaster, the air intake under the toaster, the feed ramp, crumb tray and collection tray.
5. Press and hold an abrasive pad or brush against the conveyor. Move the pad or brush back and forth (left to right) across the conveyor to remove food debris.

## PREVENTATIVE MAINTENANCE

Contact an authorized service agent for a professional cleaning of the components.

## TROUBLESHOOTING

Problem	Might be Caused By	Course of Action
Toaster does not heat and the conveyor does not move.	Toaster is not plugged in.	Plug in the toaster.
	Power knob setting is incorrect.	Rotate the power knob to full power.
	The wall breaker may be tripped.	<ol style="list-style-type: none"> <li>1. Inspect for a tripped breaker.</li> <li>2. Reset the breaker.</li> <li>3. If the breaker was not tripped, inspect the toasting chamber for broken heater tubes.</li> <li>4. For broken tubes, contact Vollrath Technical Services.</li> </ol>
	The reset may be tripped.	<p>Look under the toaster to see if an object is preventing the fan blades from turning.</p> <ol style="list-style-type: none"> <li>1. Rotate the power knob to the OFF (O) position.</li> <li>2. Unplug the toaster.</li> <li>3. Wait 30 minutes for the toaster cool.</li> <li>4. Remove the object.</li> <li>5. Plug in the toaster.</li> <li>6. Rotate the power knob to the ON (I) position.</li> <li>7. Press the reset button, located below the back panel.</li> </ol>  <ol style="list-style-type: none"> <li>8. If the problem persists call Vollrath Technical Services.</li> </ol>
		<ol style="list-style-type: none"> <li>8. If the problem persists call Vollrath Technical Services.</li> </ol> <p>Inspect the fan blades to see if they are dirty.</p> <ol style="list-style-type: none"> <li>1. Rotate the power knob to the OFF (O) position.</li> <li>2. Unplug the toaster.</li> <li>3. Wait 30 minutes for the toaster cool.</li> <li>4. Clean the fan blades.</li> <li>5. Plug in the toaster.</li> <li>6. Rotate the power knob to the ON (I) position.</li> <li>7. Press the reset button.</li> <li>8. If the problem persists call Vollrath Technical Services.</li> </ol>
Toaster heats and the conveyor belt does not move.	There may be a problem with the motor/speed control or drive chain.	Contact Vollrath Technical Services.
Top or bottom heater tubes do not heat.	One or more heater tubes may have burned out.	Contact Vollrath Technical Services.
	Heat control switch may be broken.	
Toaster repeatedly overheats.	The crumb tray may not be installed.	Verify the crumb tray is installed.
	The fan may be dirty.	Verify the fan blades are clean.
	There may be a problem with the fan.	Run the toaster for 10 minutes. If the fan does not run, contact Vollrath Technical Services.
The fan is not running.	There may be a problem with the fan.	Run the toaster for 10 minutes. If the fan does not run, contact Vollrath Technical Services.
The toaster is turned off and the fan is running.	Normal operation. The fan turns on as needed to cool the toaster.	–

---

## SERVICE AND REPAIR

---

When under warranty, repair is available for this product via carry-in service. To begin the process:

1. Contact Vollrath Technical Services at 1-800-309-2250. Please be ready with the item number, model number and serial number. You can find this information on the nameplate located on the side or back of the equipment. Also please provide a proof of purchase indicating the date the equipment was purchased.
2. A technical services representative will help you troubleshoot the problem over the phone.
3. If the representative determines the issue require professional service, he or she will help you locate an authorized service center.
4. Contact the authorized service center and transport the equipment to the authorized service center. Vollrath will cover the cost to repair and/or replace defective parts within the equipment warranty period. The cost of transporting the equipment to and from the service center is not covered by the warranty.

---

## WARRANTY STATEMENT FOR THE VOLLRATH CO. L.L.C.

---

The Vollrath Company LLC warrants the products it manufactures or distributes against defects in materials and workmanship as specifically described in our full warranty statement. In all cases, the warranty runs from the date of the end user's original purchase date found on the receipt. Any damages from improper use, abuse, modification or damage resulting from improper packaging during return shipment for warranty repair will not be covered under warranty.

The warranty does not apply to products purchased for personal, family or household use, and The Vollrath Company LLC does not offer a written warranty to purchasers for such uses.

Heater Tubes: The warranty period is 1 year, including labor when performed at an authorized service center. Heater tube glass damage is not covered by this warranty. Customer is responsible for the cost of transporting the product to the authorized service center.

Warrantied Parts: The warranty period is 2 years parts, 1 year labor.

For complete warranty information, product registration and new product announcement, visit [www.vollrath.com](http://www.vollrath.com).



Outperform every day.™

[www.vollrath.com](http://www.vollrath.com)

---

### The Vollrath Company, L.L.C.

1236 North 18th Street  
Sheboygan, WI 53081-3201 U.S.A.  
Main Tel: 800.624.2051 or 920.457.4851  
Main Fax: 800.752.5620 or 920.459.6573  
Customer Service: 800.628.0830  
Canada Customer Service: 800.695.8560

### Technical Services

[techservicereps@vollrathco.com](mailto:techservicereps@vollrathco.com)  
Toasters: 1-800-309-2250  
All Other Products: 800.628.0832