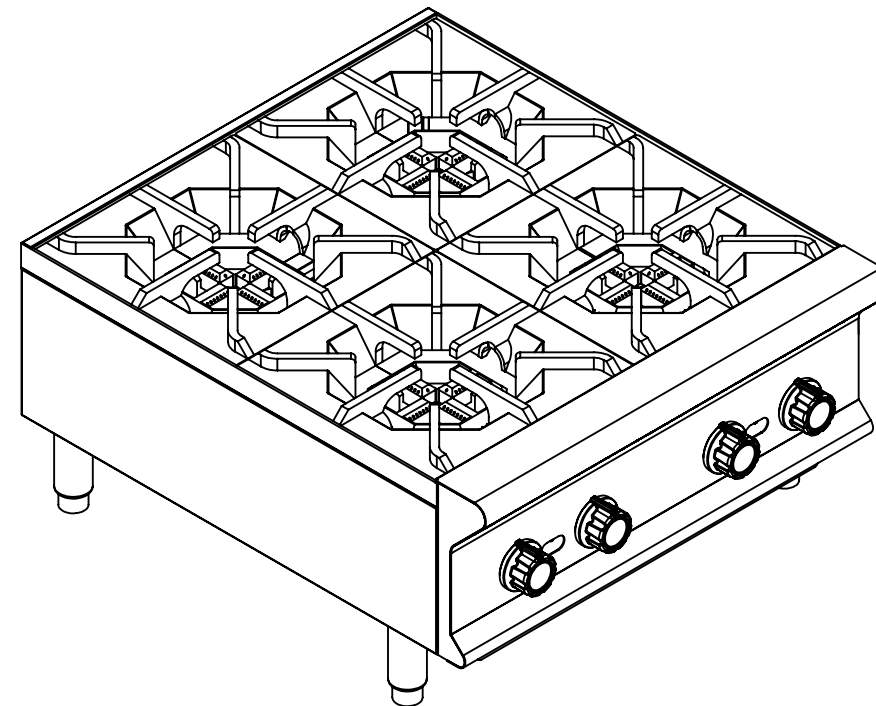
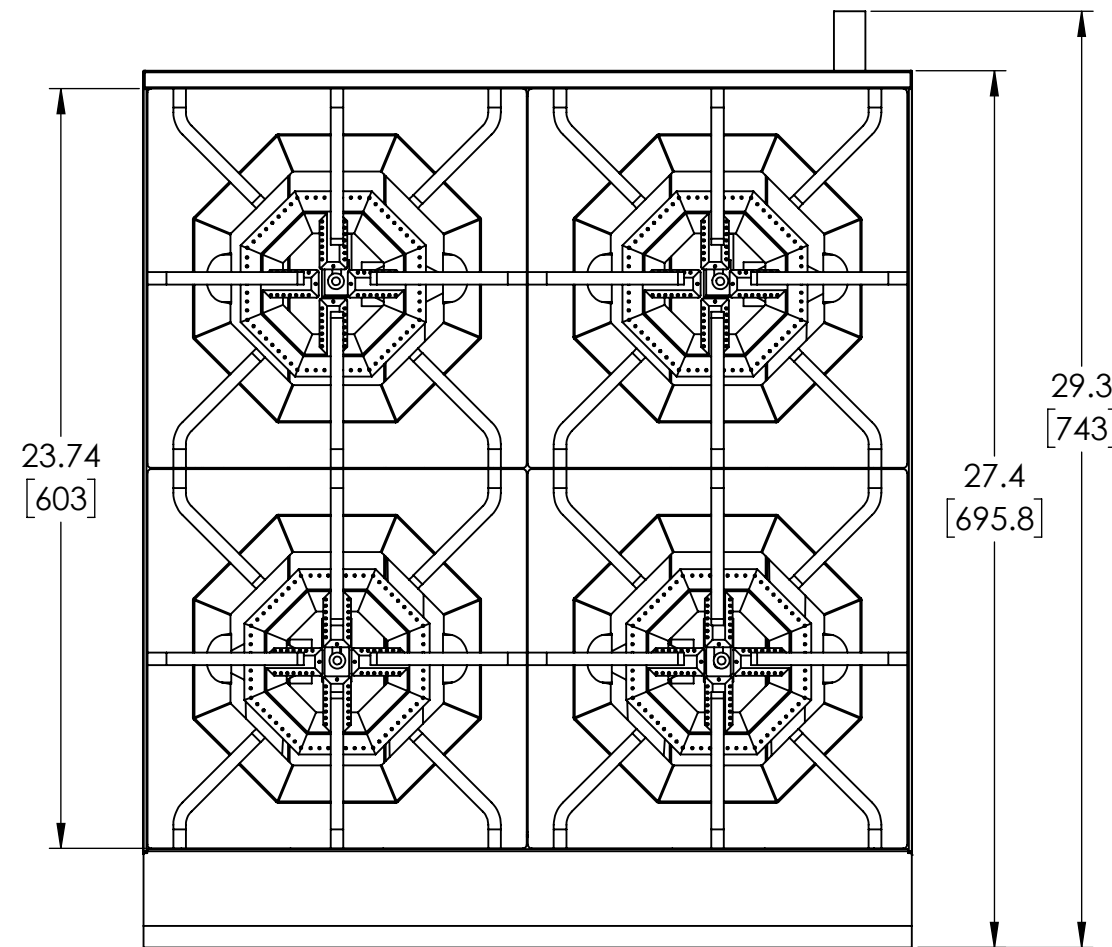
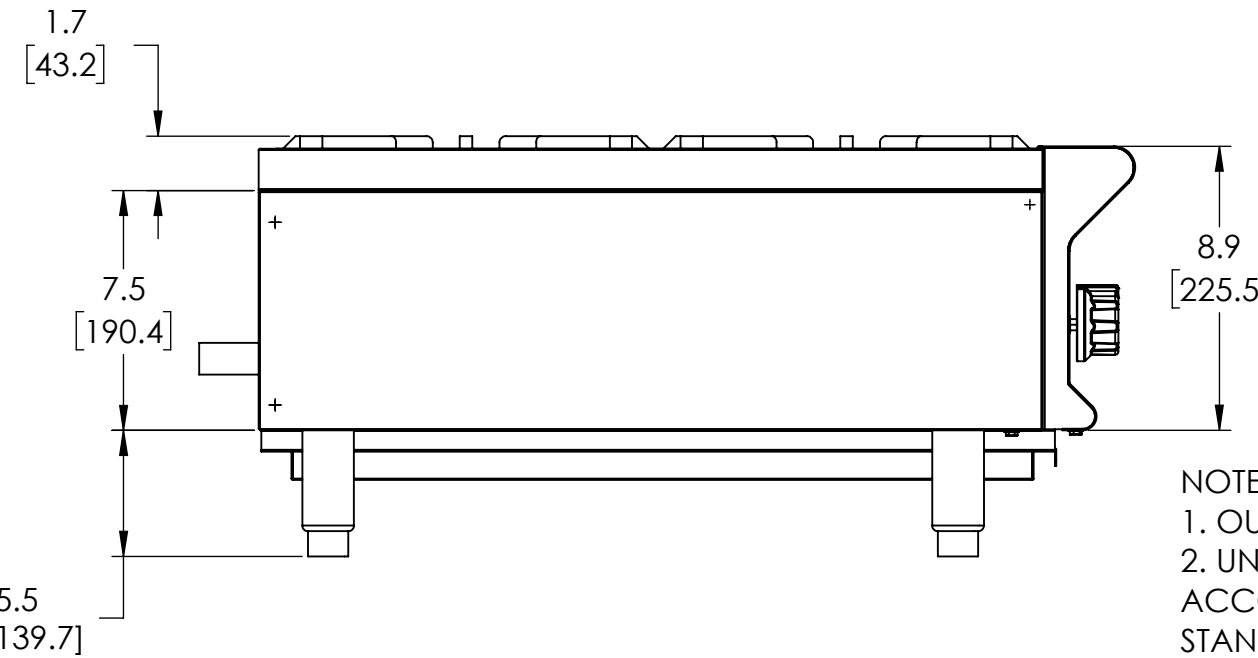
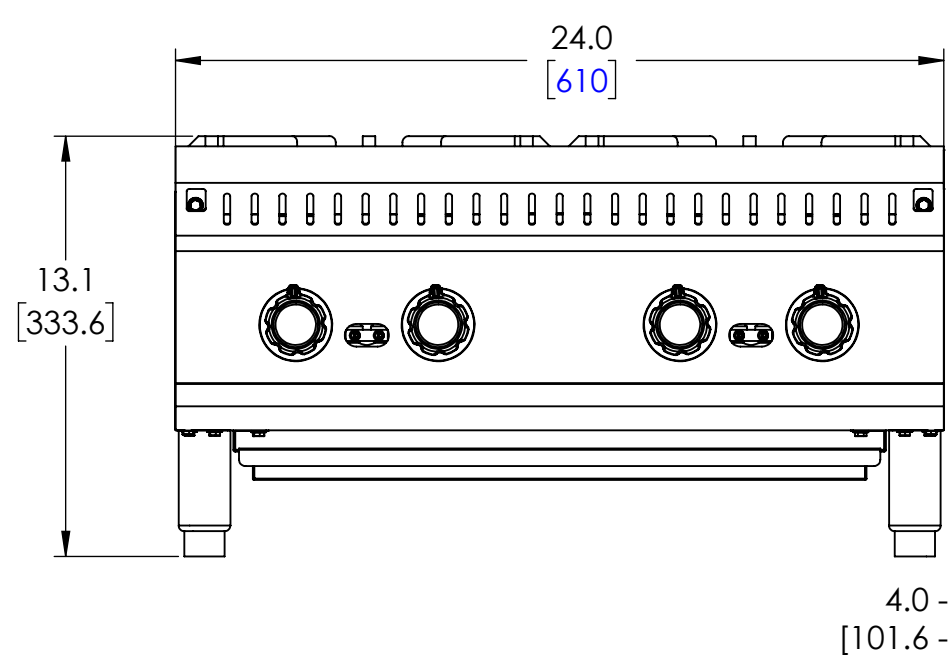


VOLLRATH GAS HOT PLATE, 24"

ITEM NO./MODEL NO.	DESCRIPTION
HPG4-24	GAS HOT PLATE, 24"

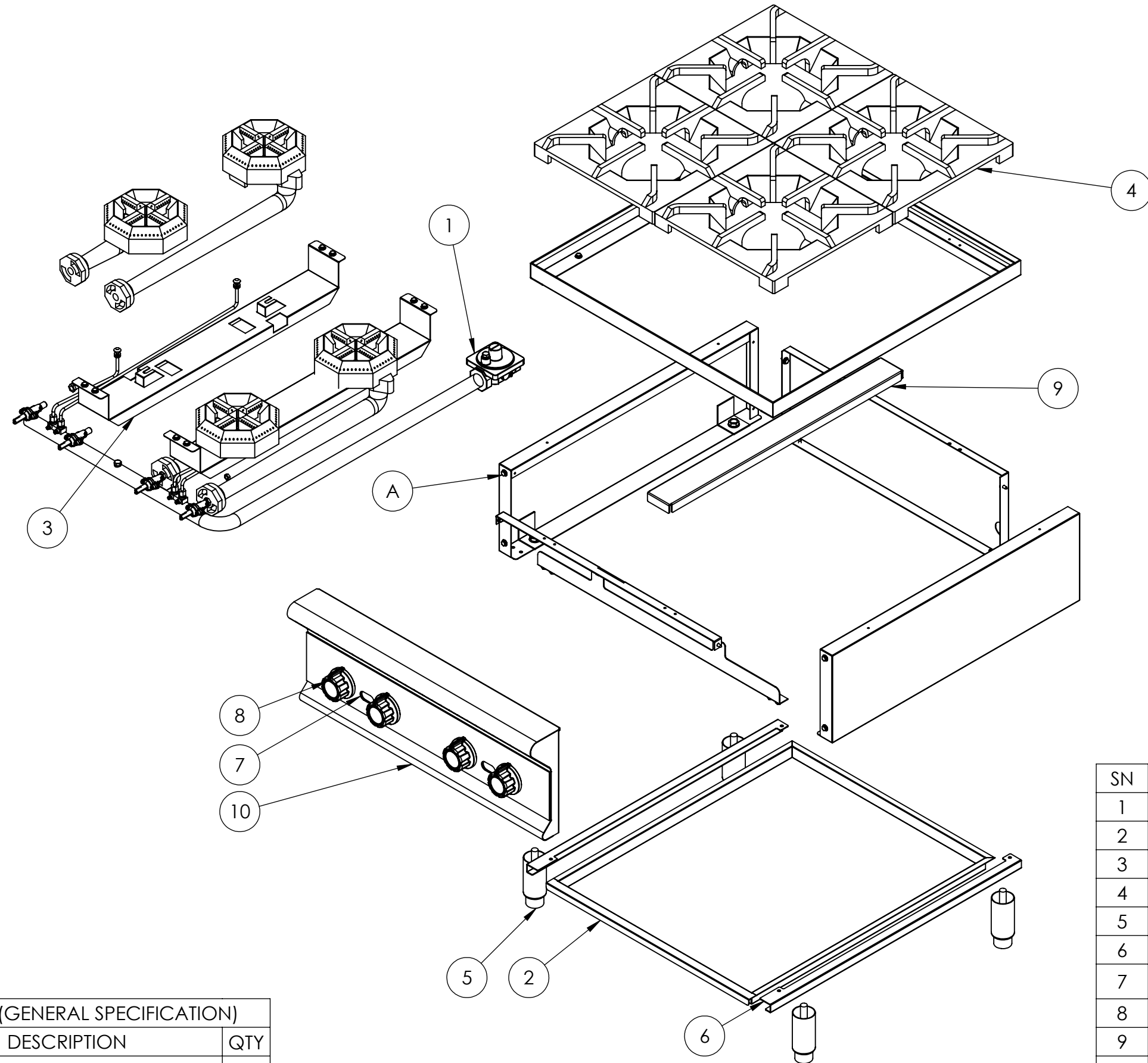


- NOTE:
1. OUTPUT IS 104,000 BTU.
 2. UNIT SHOULD BE INSTALLED UNDER A HOOD IN ACCORDANCE WITH THE LATEST EDITION OF THE STANDARD FOR VENTILATION CONTROL AND FIRE PROTECTION OF COMMERCIAL COOKING OPERATIONS, NFPA 96.
 3. STANDING PILOTS WITH A MANUAL BURNER CONTROL VALVE FOR EACH BURNER. 3/4" NPT GAS INLET.
 4. UNIT WEIGHT IS: 95.9 LBS.
 5. MATERIALS: STAINLESS STEEL AND PRE-SEASONED CAST IRON.
 6. CERTIFICATIONS:
 1. ANSI Z83.11:2016.
 2. CSA 1.8:2016.
 3. NSF/ANSI 4.



DIMENSIONS ARE IN INCHES (IN) UNLESS OTHERWISE NOTED.
DIMENSIONS IN BRACKETS ARE IN MILLIMETERS (MM) AND ARE FOR REFERENCE ONLY.

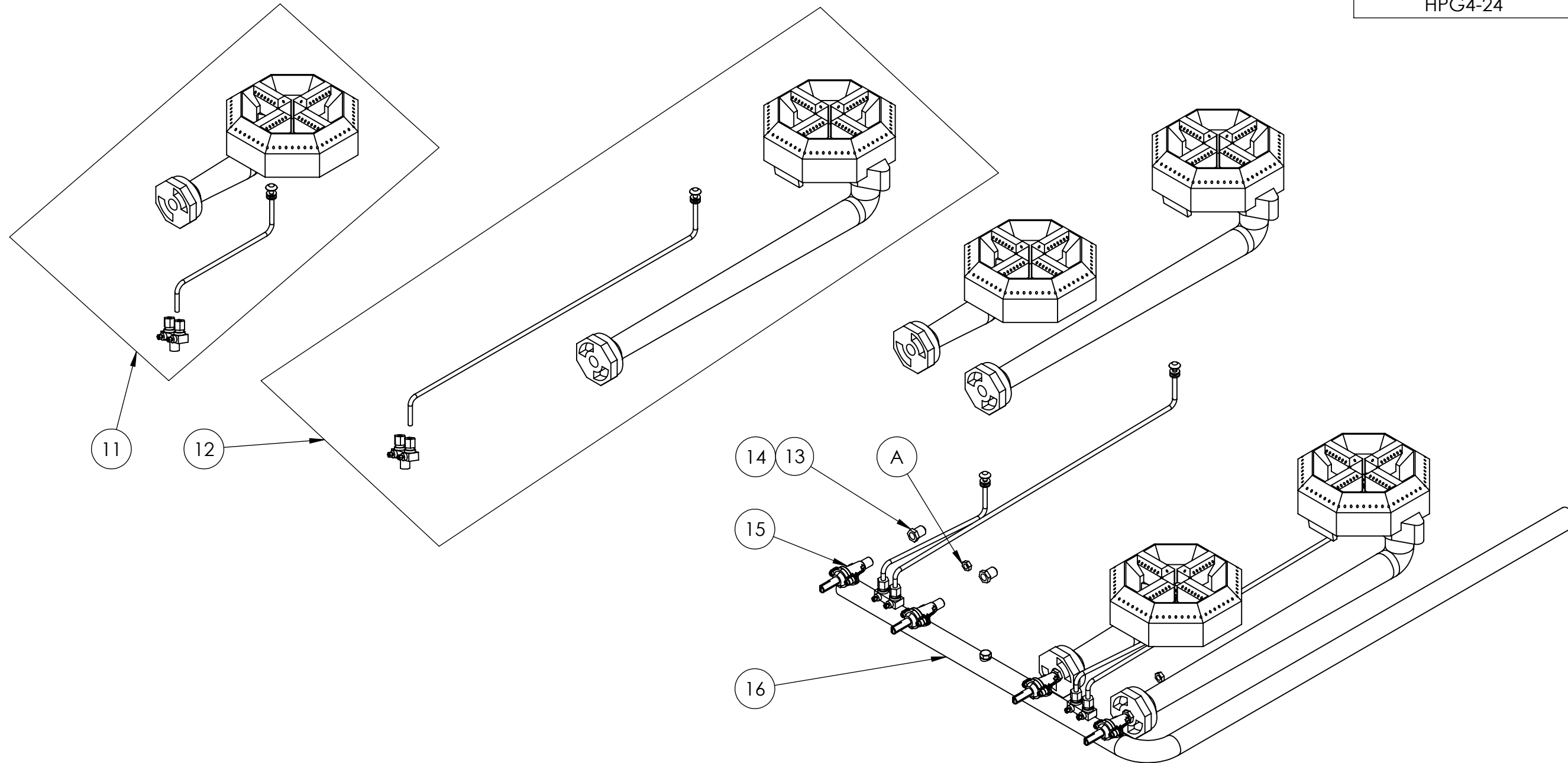
ITEM NO./MODEL NO.	DESCRIPTION
HPG4-24	GAS HOT PLATE, 24"



HARDWARE (GENERAL SPECIFICATION)		
SN	DESCRIPTION	QTY
A	M5X0.8X10 SS TAP SCREW, FL HEX	32

SN	PART NO	DESCRIPTION	QTY
1	353374-1	REGULATOR 4IN WC	1
2	353378-1	DRIP TRAY - 24IN HP-MDCB	1
3	353363-1	BURNER SUPPORT - HOT PLATE	2
4	353362-1	HOT PLATE TOP GRATE	4
5	353376-1	LEG, GAS APPLIANCE	4
6	353366-1	DRIP TRAY SUPPORTS - HP	1
7	353377-1	FASCIA - OVERLAY 24IN HOT PLATE	1
8	353373-1	CONTROL KNOB LG INSERT	4
9	353364-1	GRATE SUPPORT - HOT PLATE	1
10	354216-1	HPG4-24 FRONT PANEL ASSY	1

ITEM NO./MODEL NO.	DESCRIPTION
HPG4-24	GAS HOT PLATE, 24"



*NOTE: ONLY ONE TYPE OF ORIFICE IS REQUIRED, 2.40MM FOR NATURAL GAS OR 1.60MM FOR LP

HARDWARE (GENERAL SPECIFICATION)		
SN	DESCRIPTION	QTY
A	M6X1X5 SS HEX NUT	2

SN	PART NO	DESCRIPTION	QTY
11	353370-1	HOT PLT PILOT/BRN ASSY - FRONT	2
12	353371-1	HOT PLT PILOT/BRN ASSY - REAR	2
13	353368-1	2.40MM BRASS ORIFICE *	4
14	353369-1	1.60MM BRASS ORIFICE *	4
15	353367-1	MANUAL CONTROL VALVE	4
16	353379-1	24" HOT PLATE MANIFOLD	1