



CATALOG OF REPLACEMENT PARTS

Gas Restaurant Ranges

KR4

KR6

KR10

K2G24

K6G24

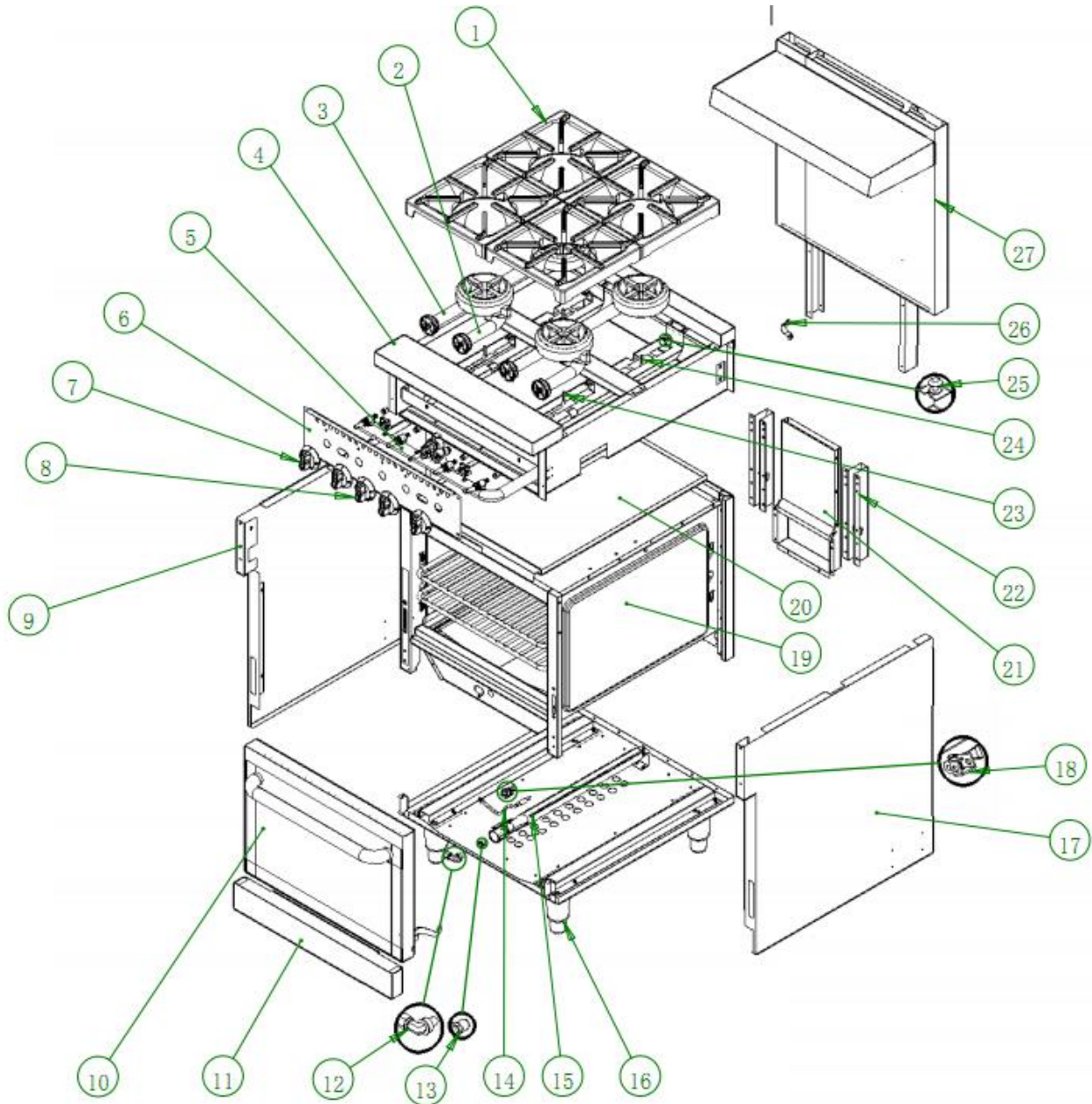


For additional information on KINTERA or to locate an authorized parts
and service provider in your area.

TABLE OF CONTENTS

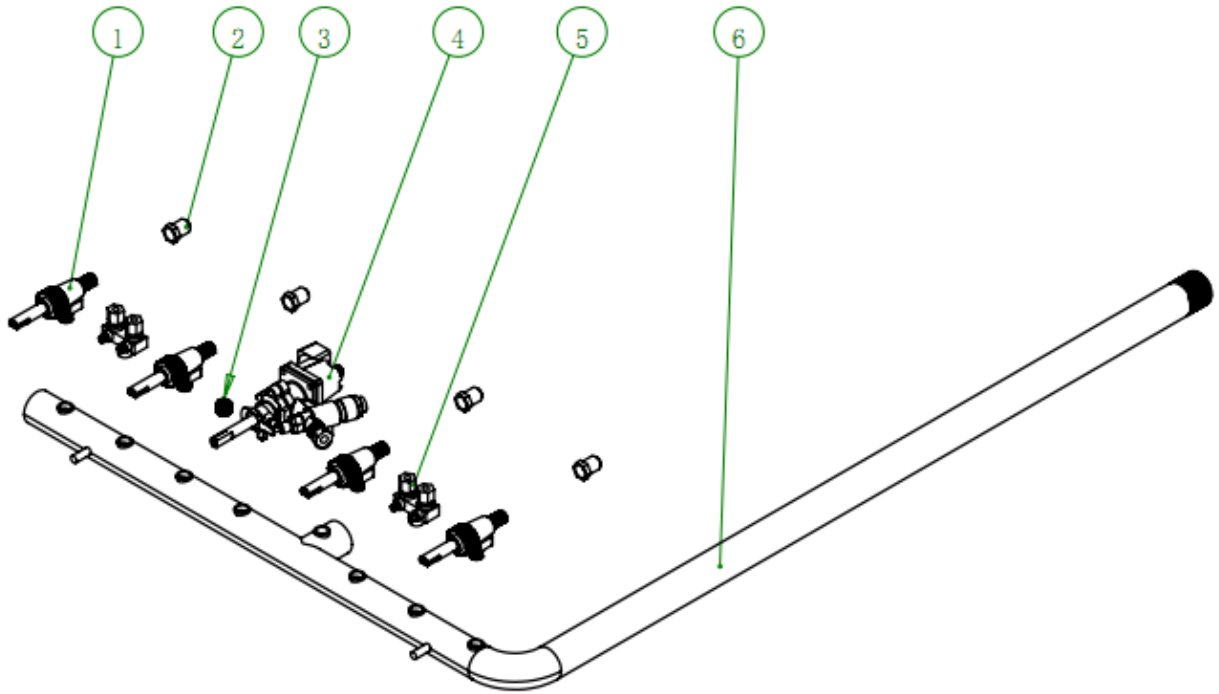
KR4 Gas Range	3
Exploded view and part number listing of RANGE MAIN BODY	3
Exploded view and part number listing of GAS CONTROL ASSEMBLY	5
Exploded view and part number listing of OVEN CHAMBER ASSEMBLY	6
Exploded view and part number listing of OVEN DOOR ASSEMBLY	7
Exploded view and part number listing of BACK PANEL ASSEMBLY	8
KR6 Gas Range	9
Exploded view and part number listing of RANGE MAIN BODY	9
Exploded view and part number listing of GAS CONTROL ASSEMBLY	11
Exploded view and part number listing of OVEN CHAMBER ASSEMBLY	12
Exploded view and part number listing of OVEN DOOR ASSEMBLY	13
Exploded view and part number listing of BACK PANEL ASSEMBLY	14
KR10 Gas Range	15
Exploded view and part number listing of RANGE MAIN BODY	15
Exploded view and part number listing of GAS CONTROL ASSEMBLY	17
Exploded view and part number listing of OVEN CHAMBER ASSEMBLY	18
Exploded view and part number listing of OVEN DOOR ASSEMBLY	19
Exploded view and part number listing of BACK PANEL ASSEMBLY	20
K2G24 Gas Range	21
Exploded view and part number listing of RANGE MAIN BODY	21
Exploded view and part number listing of GAS CONTROL ASSEMBLY	23
Exploded view and part number listing of OVEN CHAMBER ASSEMBLY	24
Exploded view and part number listing of OVEN DOOR ASSEMBLY	25
Exploded view and part number listing of BACK PANEL ASSEMBLY	26
K6G24 Gas Range	27
Exploded view and part number listing of RANGE MAIN BODY	27
Exploded view and part number listing of GAS CONTROL ASSEMBLY	29
Exploded view and part number listing of OVEN CHAMBER ASSEMBLY	30
Exploded view and part number listing of OVEN DOOR ASSEMBLY	31
Exploded view and part number listing of BACK PANEL ASSEMBLY	32

KR4 RANGE MAIN BODY



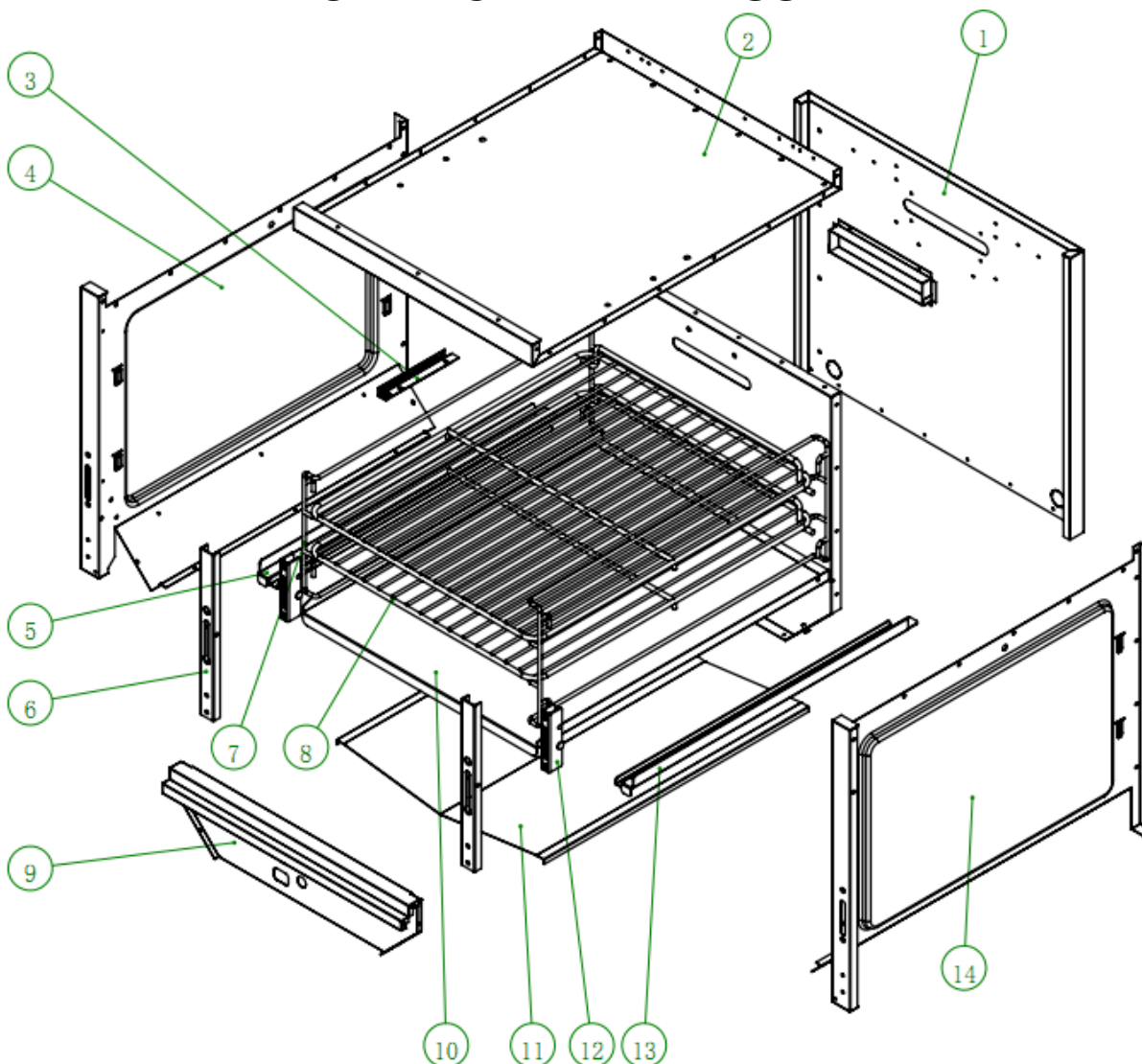
No.	Part Code	Part Name	QTY
1	302250132	BURNER GRATE	4
2	302250166	BURNER ASSEMBLY (SHORT)	2
3	302250165	BURNER ASSEMBLY (LONG)	2
4	20228058001	FRONT COUNTERTOP	1
5	20128058003	GAS CONTROL ASSEMBLY	1
6	20228058005	FRONT CONTROL PANEL	1
7	301110527	BURNER KNOB	4
8	301110500	OVEN KNOB	1
	301110389	OVEN KNOB CORE	1
9	20228078022	LEFT SIDE WALL	1
10	20128058030	OVEN DOOR ASSEMBLY	1
11	316120001	LOWER FRONT BEAM SLAB	1
12	302140137	NOZZLE ELBOW	1
13	302150198	OVEN NOZZLE, NG	1
13	302150189	OVEN NOZZLE, LPG	1
14	302170058	Robertshaw THERMOCOUPLE	1
15	302130384	OVEN TUBE BURNER	1
16	302090158	ADJUSTABLE LEG	4
16	302190487	LEG MOUNTING PLATE	4
17	20228078024	RIGHT SIDE WALL	1
18	302130493 +302150345	OVEN PILOT, NG	1
18	302130493 +302150246	OVEN PILOT, LPG	1
19	20128058005	OVEN CHAMBER ASSEMBLY	1
20	20228058007	CRUMB TRAY	1
21	20128051007	INNER FLUE ASSEMBLY	1
22	20228051044	SLIDE RAIL (REAR BAFFLE)	2
23	302060693	GAS PIPE (PILOT)(SHORT BURNER)	2
24	302060694	GAS PIPE (PILOT)(LONG BURNER)	2
25	302130019	STOVE PILOT	4
26	302060231	PIPE FIXER	1
27	20128058007	BACK PANEL ASSEMBLY	1

KR4 GAS CONTROL ASSEMBLY



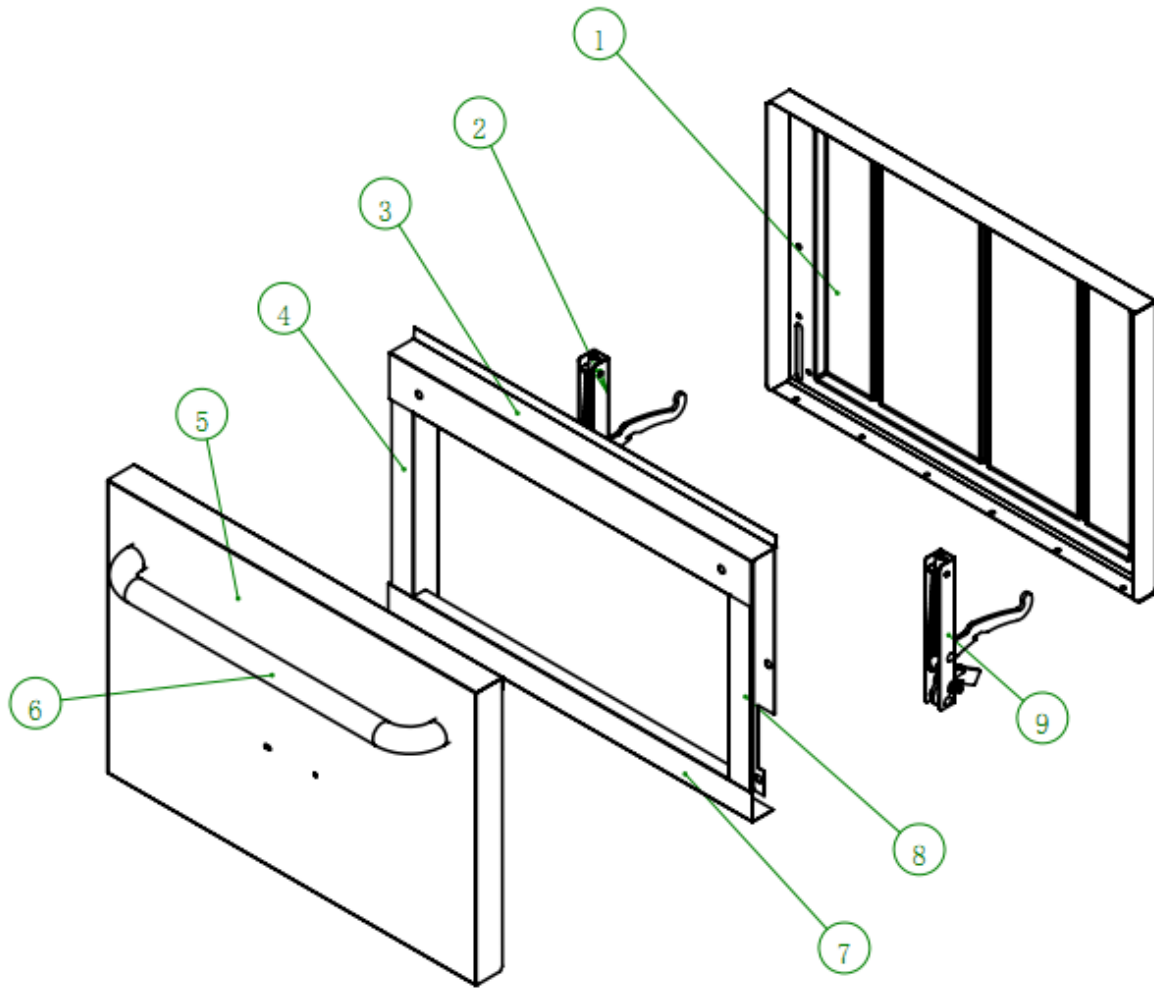
No.	Part Code	Part Name	QTY
1	302050051	GAS STOVE VALVE	4
2	302150190	BURNER NOZZLE, LPG	4
2	302150198	BURNER NOZZLE, NG	4
3	302200620	SCREW	1
4	302220127	GAS OVEN VALVE	1
5	302220027	NG/LPG REGULATING VALVE	2
6	302180496	GAS INLET PIPE ASSEMBLY	1

KR4 OVEN CHAMBER ASSEMBLY



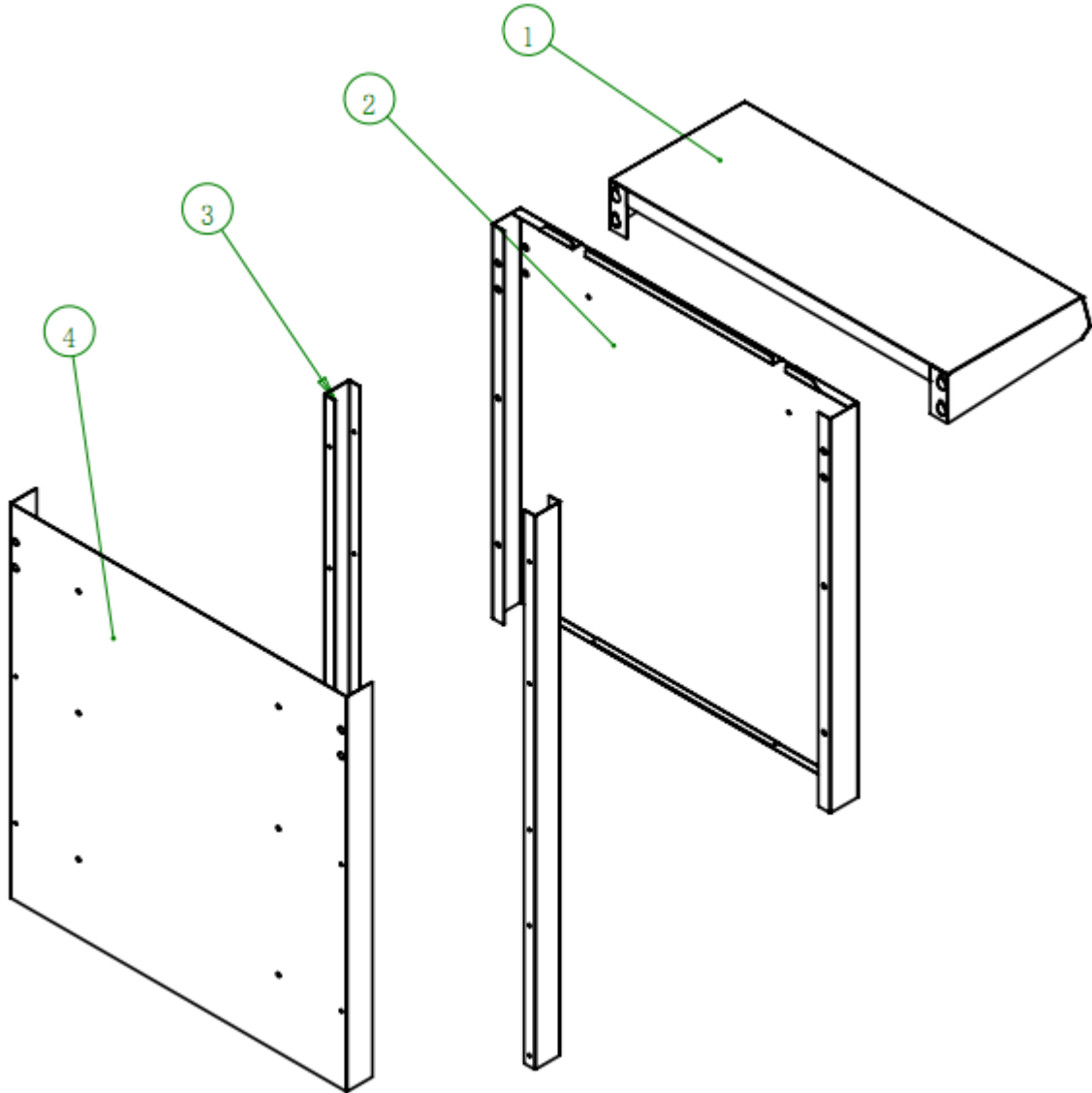
No.	Part Code	Part Name	QTY
1	20228058014	REAR SHROUDING ASSEMBLY	1
2	20228058009	OVEN CHAMBER TOP PLATE	1
3	314490021	SENSOR FIXED PLATE	1
4	20228058010	OVEN CHAMBER LEFT PLATE	1
5	316130006	OVEN CHAMBER BOTTOM LEFT LIMIT PLATE	1
6	316120002	OVEN CHAMBER SIDE REINFORCE PLATE	2
7	302110504	RACK HOLDER	2
8	302110557	RACK (CHAMBER)	2
9	20228058013	OVEN CHAMBER F LOWER FRONT PLATE	1
10	302190496	BASEBOARD (CHAMBER)	1
11	20228058017	OVEN CHAMBER BOTTOM REINFORCE PLATE	1
12	302190429	DOOR HINGE	2
13	316130007	OVEN CHAMBER BOTTOM LEFT RIGHT PLATE	1
14	20228058011	OVEN CHAMBER RIGHT PLATE	1

KR4 OVEN DOOR ASSEMBLY



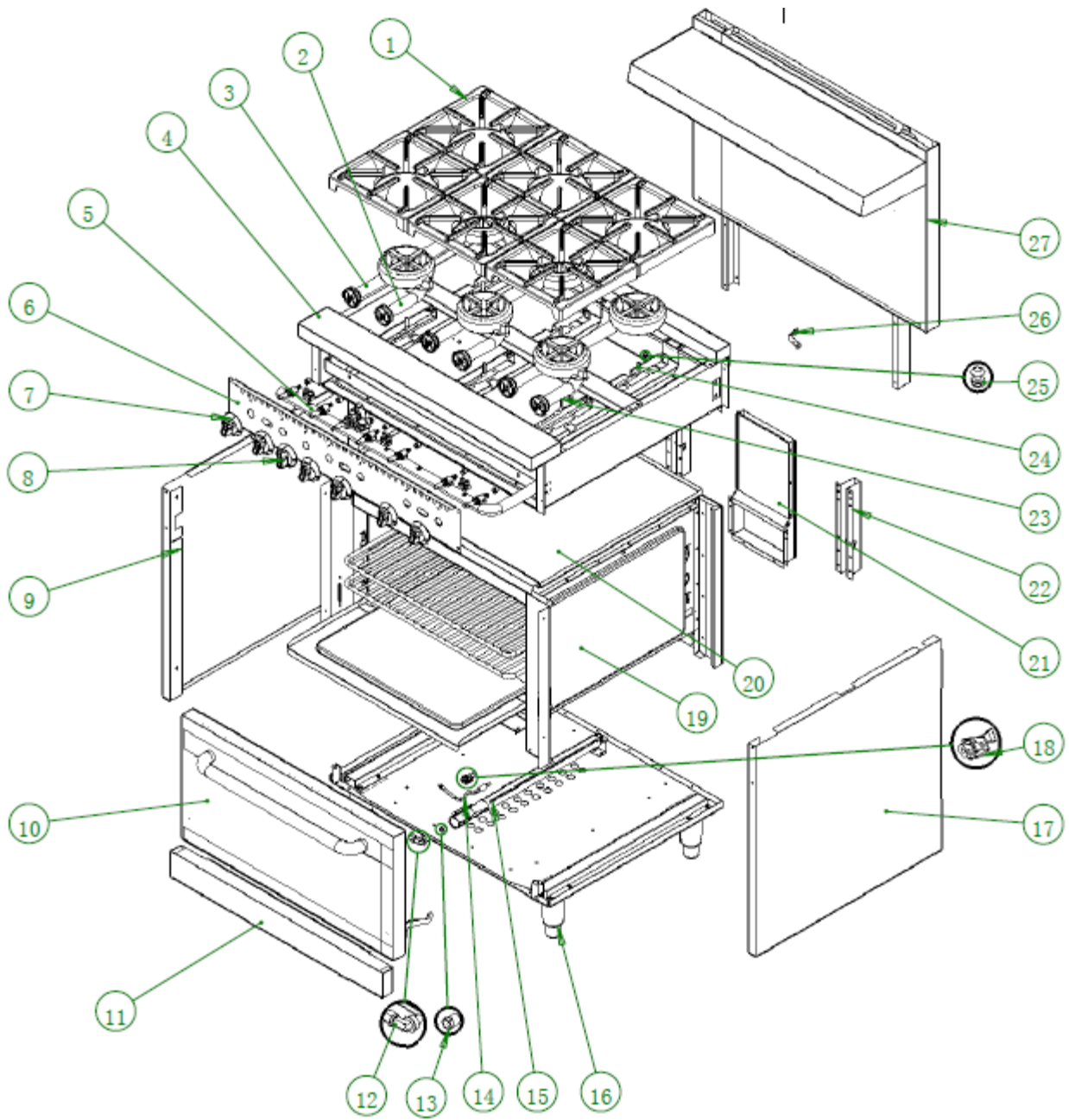
No.	Part Code	Part Name	QTY
1	20228058023	DOOR INNER PLATE	1
2	302190430	DOOR HINGE LEFT	1
3	20228058025	OVEN DOOR TOP REINFORCE	1
4	20228051037	OVEN DOOR LEFT REINFORCE	1
5	20228058051	DOOR OUTSIDE PLATE	1
6	302070220	DOOR HANDLE	1
7	20228058024	OVEN DOOR BOTTOM REINFORCE	1
8	20228051093	OVEN DOOR RIGHT REINFORCE	1
9	302190428	DOOR HINGE RIGHT	1

KR4 BACK PANEL ASSEMBLY



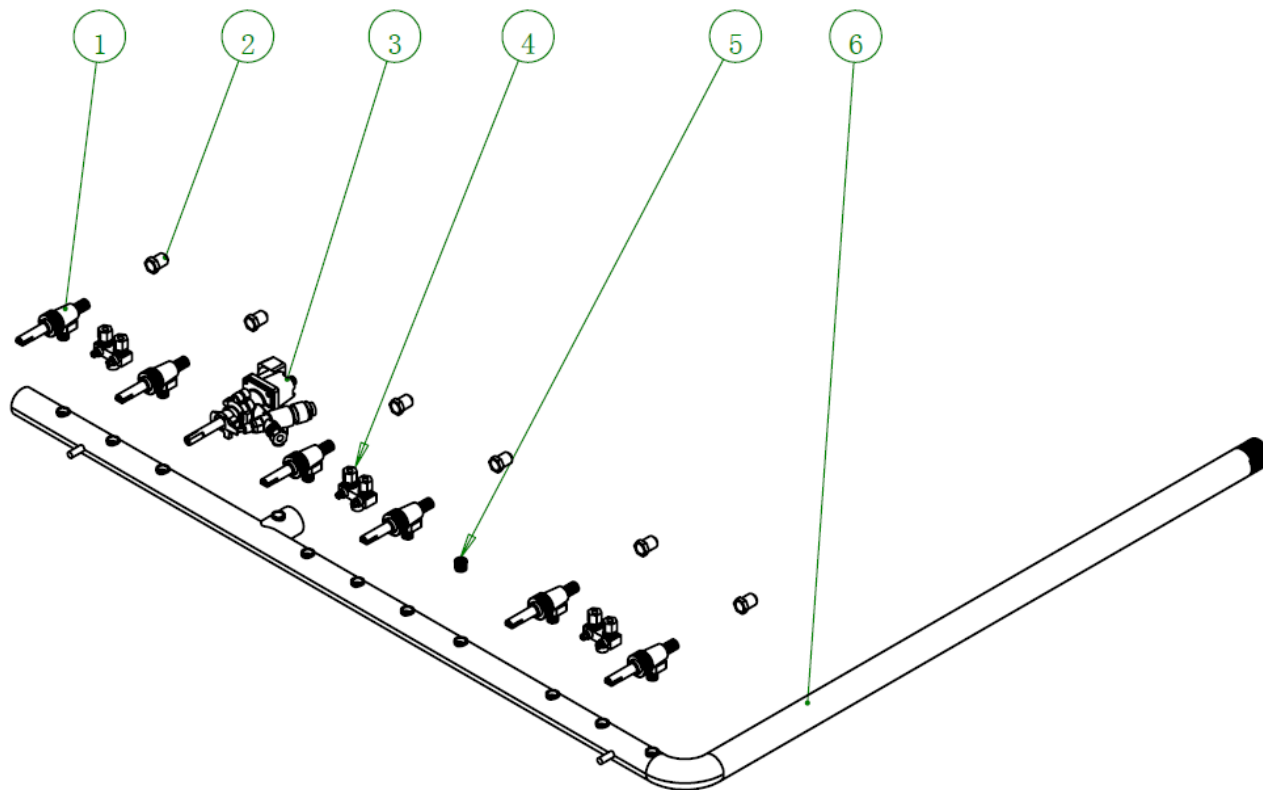
No.	Part Code	Part Name	QTY
1	20228058028	DECORATIVE COVER	1
2	20228058026	BACK FRONT PANEL	1
3	20228051040	BACK SUPPORT PANEL	2
4	316120003	BACK REAR PANEL	1

KR6 RANGE MAIN BODY



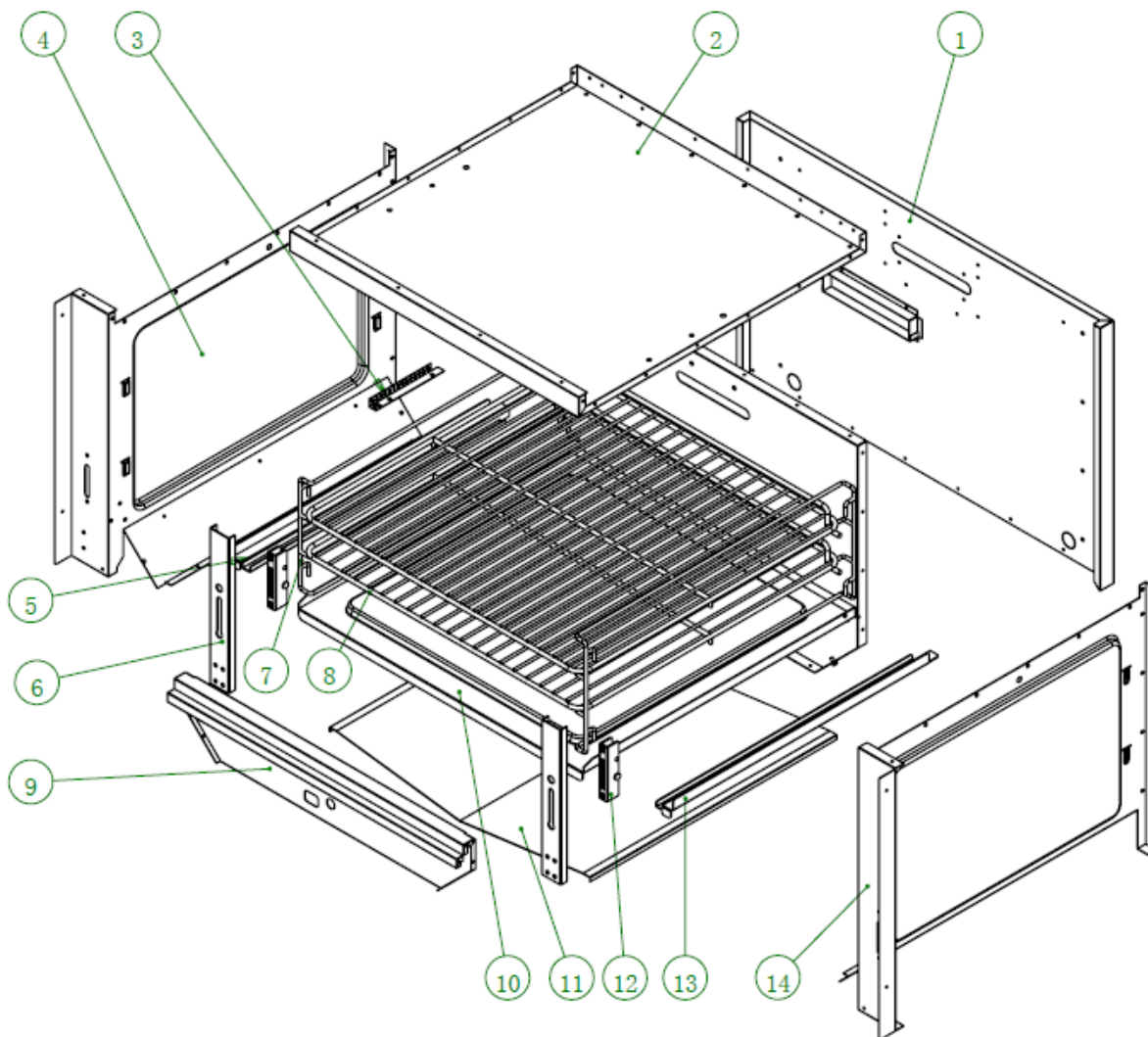
No.	Part Code	Part Name	QTY
1	302250132	BURNER GRATE	6
2	302250166	BURNER ASSEMBLY (SHORT)	3
3	302250165	BURNER ASSEMBLY (LONG)	3
4	20228077006	FRONT COUNTERTOP	1
5	20128051009	GAS CONTROL ASSEMBLY	1
6	20228051005	FRONT CONTROL PANEL	1
7	301110527	BURNER KNOB	6
	301110390	BURNER KNOB CORE	6
8	301110500	OVEN KNOB	1
	301110389	OVEN KNOB CORE	1
9	20228077010	LEFT SIDE WALL	1
10	20128051005	OVEN DOOR ASSEMBLY	1
11	316130001	LOWER FRONT BEAM SLAB	1
12	302140137	NOZZLE ELBOW	1
13	302150198	OVEN NOZZLE, NG	1
13	302150189	OVEN NOZZLE, LPG	1
14	302170058	Robertshaw THERMOCOUPLE	1
15	302130384	OVEN TUBE BURNER	1
16	302190487	LEG MOUNTING PLATE	4
16	302090158	ADJUSTABLE LEG	4
17	20228077013	RIGHT SIDE WALL	1
18	302130447	OVEN PILOT, LPG	1
18	302130427	OVEN PILOT, NG	1
19	20128051004	OVEN CHAMBER ASSEMBLY	1
20	20228051012	CRUMB TRAY	1
21	20128051007	INNER FLUE ASSEMBLY	1
22	316130004	SLIDE RAIL (REAR BAFFLE)	2
23	302060693	GAS PIPE (PILOT)(SHORT BURNER)	3
24	302060694	GAS PIPE (PILOT)(LONG BURNER)	3
25	302130019	STOVE PILOT	6
26	302060231	PIPE FIXER	1
27	20128051006	BACK PANEL ASSEMBLY	1

KR6 GAS CONTROL ASSEMBLY



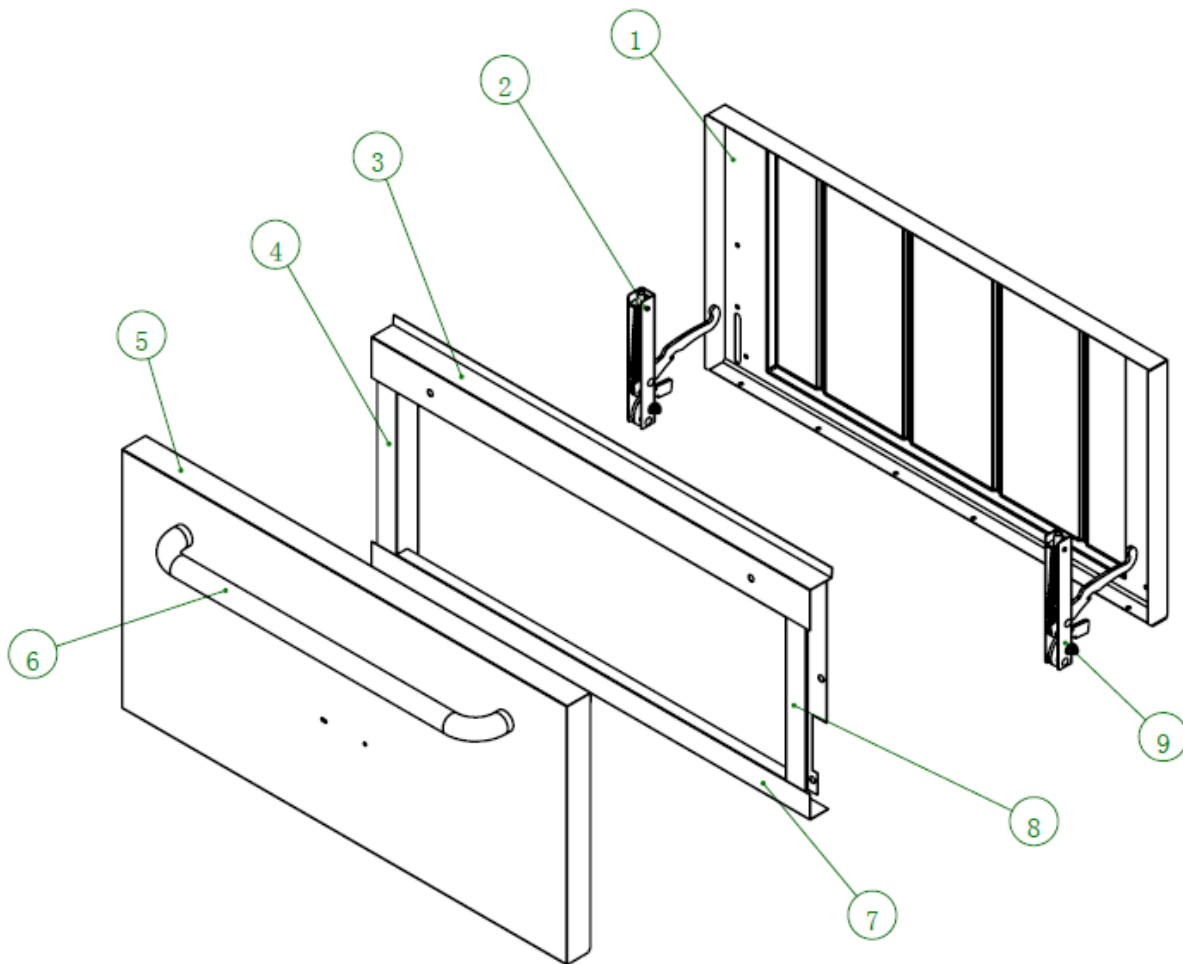
No.	Part Code	Part Name	QTY
1	302050051	GAS STOVE VALVE	6
2	302150190	BURNER NOZZLE, LPG	6
	302150198	BURNER NOZZLE, NG	6
3	302220127	GAS OVEN VALVE	1
4	302220027	PILOT VALVE	3
5	302200620	SCREW	1
6	302180441	GAS INLET PIPE ASSEMBLY	1

KR6 OVEN CHAMBER ASSEMBLY



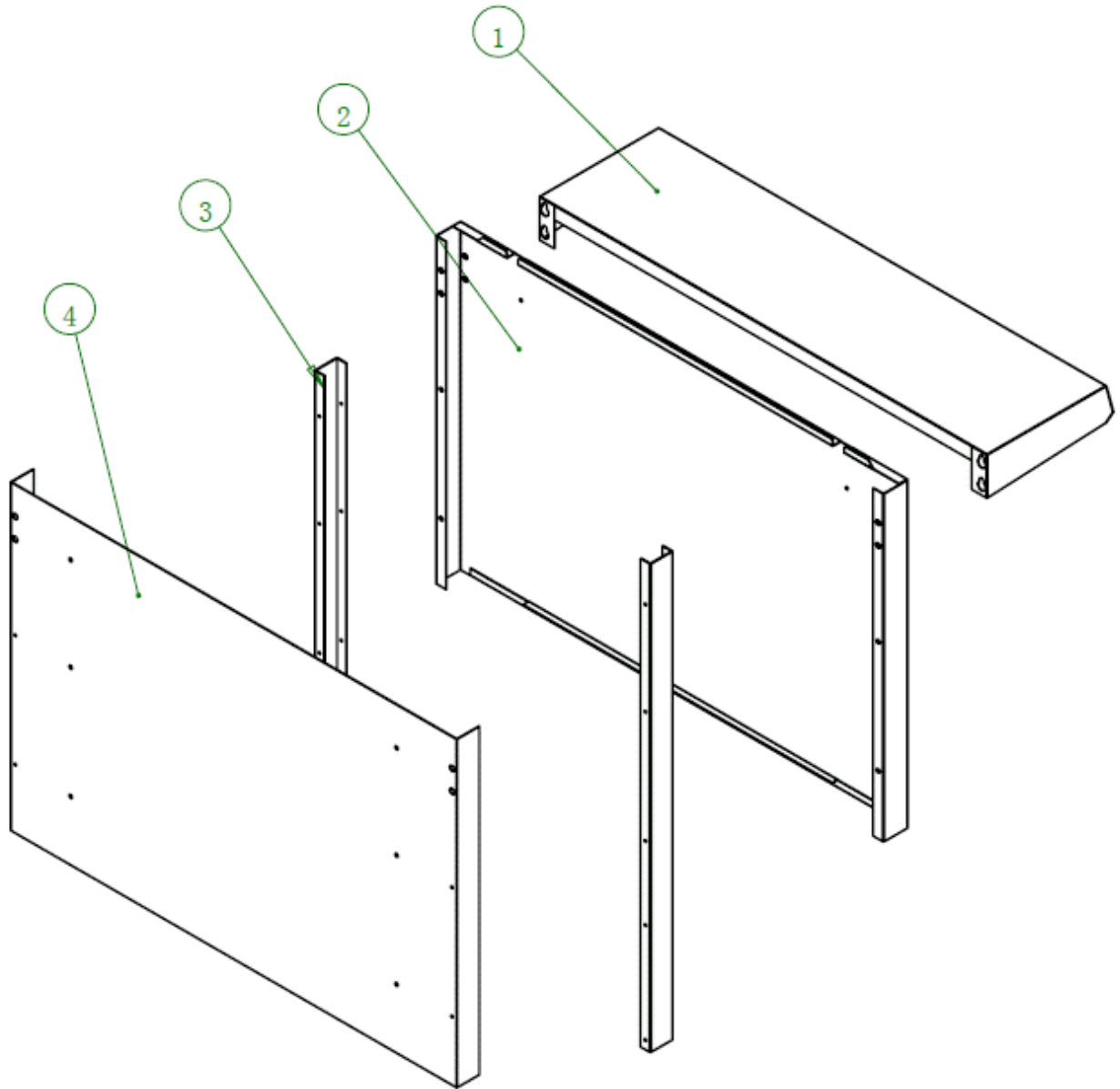
No.	Part Code	Part Name	QTY
1	20228051019	REAR SHROUDING ASSEMBLY	1
2	20228051014	OVEN CHAMBER TOP PLATE	1
3	314490021	SENSOR FIXED PLATE	1
4	20228051015	OVEN CHAMBER LEFT PLATE	1
5	316130006	OVEN CHAMBER BOTTOM LEFT LIMIT PLATE	1
6	316130002	OVEN CHAMBER SIDE REINFORCE PLATE	2
7	302110504	RACK HOLDER	2
8	302110503	RACK (CHAMBER)	2
9	20228051018	OVEN CHAMBER F LOWER FRONT PLATE	1
10	302190497	BASEBOARD (CHAMBER)	1
11	20228051028	OVEN CHAMBER BOTTOM REINFORCE PLATE	1
12	302190429	DOOR HINGE	2
13	316130007	OVEN CHAMBER BOTTOM LEFT RIGHT PLATE	1
14	20228051016	OVEN CHAMBER RIGHT PLATE	1

KR6 OVEN DOOR ASSEMBLY



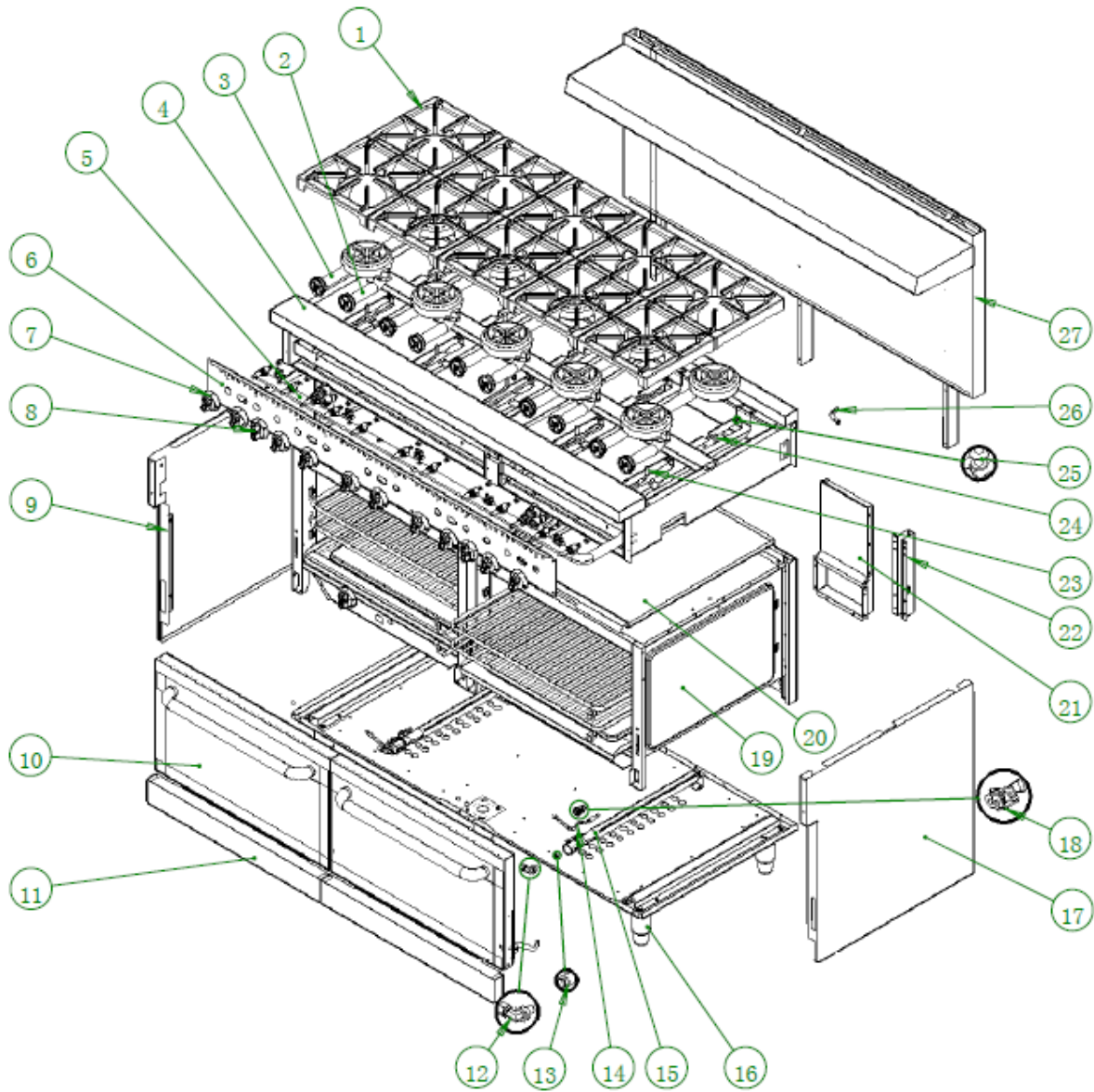
No.	Part Code	Part Name	QTY
1	20228051034	DOOR INNER PLATE	1
2	302190430	DOOR HINGE LEFT	1
3	20228051036	OVEN DOOR TOP REINFORCE	1
4	20228051037	OVEN DOOR LEFT REINFORCE	1
5	20228051033	DOOR OUTSIDE PLATE	1
6	302070144	DOOR HANDLE	1
7	20228051035	OVEN DOOR BOTTOM REINFORCE	1
8	20228051093	OVEN DOOR RIGHT REINFORCE	1
9	302190428	DOOR HINGE RIGHT	1

KR6 BACK PANEL ASSEMBLY



No.	Part Code	Part Name	QTY
1	20228051041	DECORATIVE COVER	1
2	20228051038	BACK FRONT PANEL	1
3	20228051040	BACK SUPPORT PANEL	2
4	316130010	BACK REAR PANEL	1

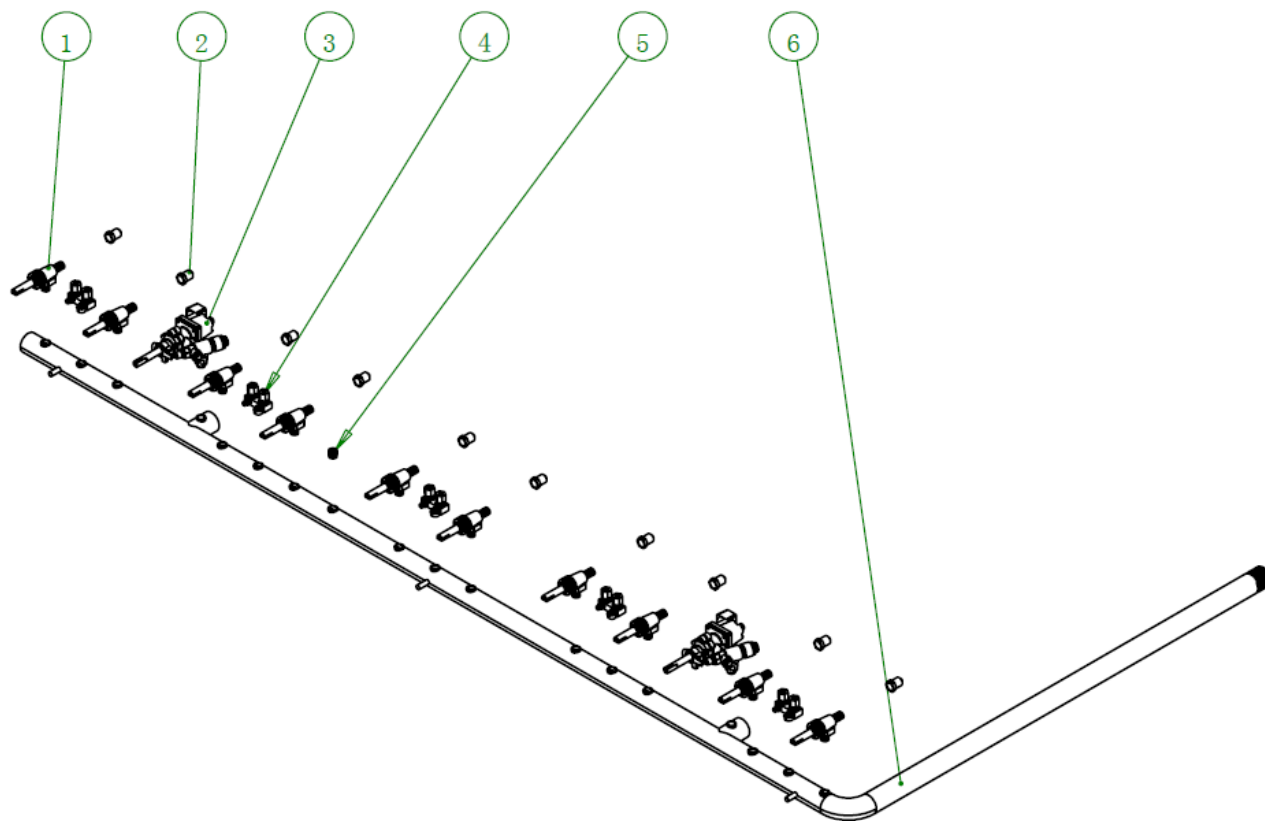
KR10 RANGE MAIN BODY



S SERIES REPLACEMENT PARTS

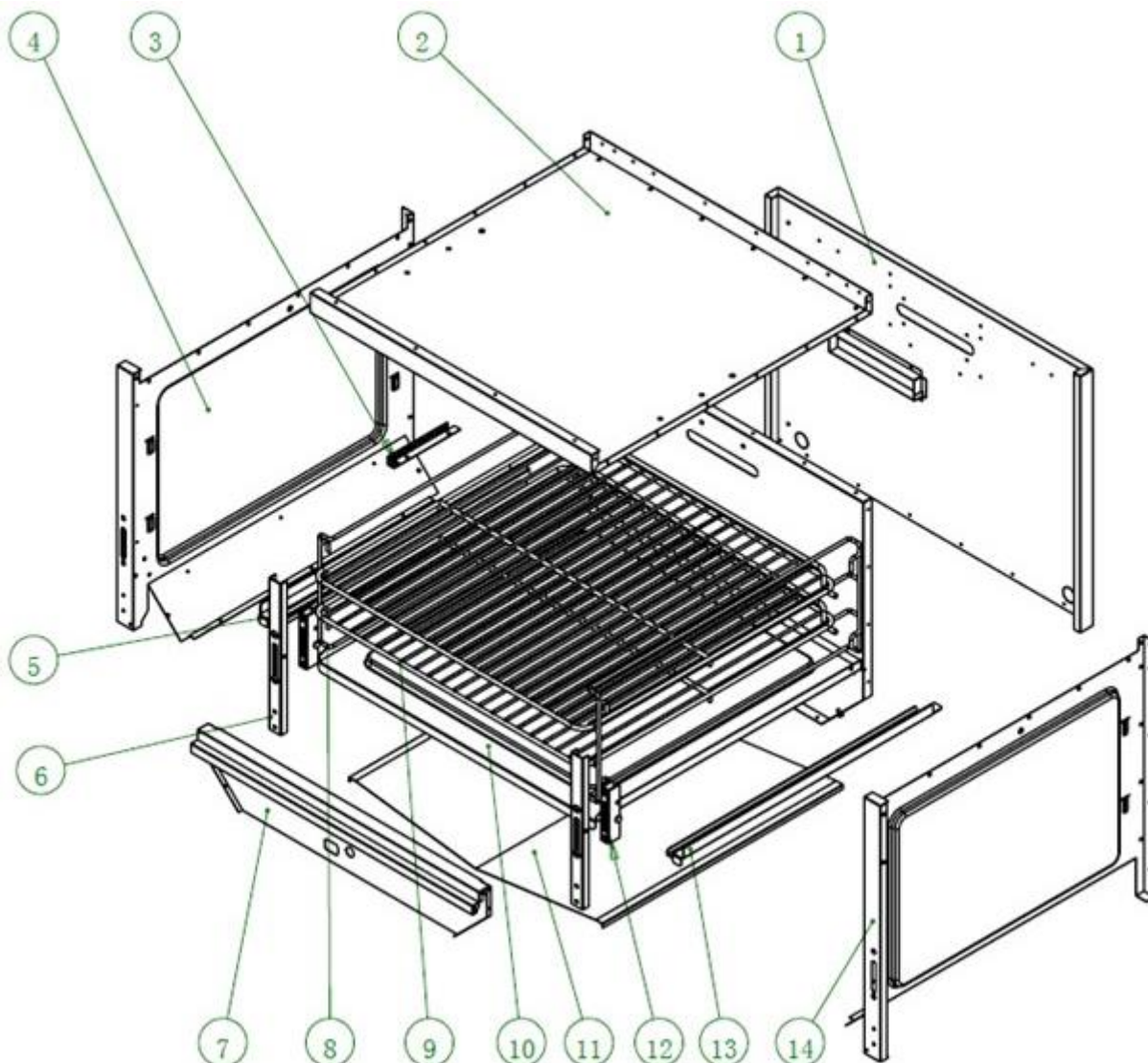
No.	Part Code	Part Name	QTY
1	302250132	BURNER GRATE	10
2	302250166	BURNER ASSEMBLY (SHORT)	5
3	302250165	BURNER ASSEMBLY (LONG)	5
4	20228059001	FRONT COUNTERTOP	1
5	20128059003	GAS CONTROL ASSEMBLY	1
6	20228059007	FRONT CONTROL PANEL	1
7	301110527	BURNER KNOB	10
	301110390	BURNER KNOB CORE	10
8	301110500	OVEN KNOB	2
	301110389	OVEN KNOB CORE	2
9	20228078022	LEFT SIDE WALL	1
10	20128059005	OVEN DOOR ASSEMBLY	2
11	316140001	LOWER FRONT BEAM SLAB	2
12	302140137	NOZZLE ELBOW	2
13	302150198	OVEN NOZZLE, NG	2
13	302150189	OVEN NOZZLE, LPG	2
14	302170058	Robertshaw THERMOCOUPLE	2
15	302130384	OVEN TUBE BURNER	2
16	302190487	LEG MOUNTING PLATE	6
16	302090158	ADJUSTABLE LEG	6
17	20228078024	RIGHT SIDE WALL	1
18	302130447	OVEN PILOT, LPG	2
18	302130427	OVEN PILOT, NG	2
19	20128059004	OVEN CHAMBER ASSEMBLY	2
20	20228058007	CRUMB TRAY	1
21	20128051007	INNER FLUE ASSEMBLY	2
22	316130004	SLIDE RAIL (REAR BAFFLE)	2
23	302060693	GAS PIPE (PILOT)(SHORT BURNER)	5
24	302060694	GAS PIPE (PILOT)(LONG BURNER)	5
25	302130019	STOVE PILOT	10
26	302060231	PIPE FIXER	1
27	20128059006	BACK PANEL ASSEMBLY	1

KR10 GAS CONTROL ASSEMBLY



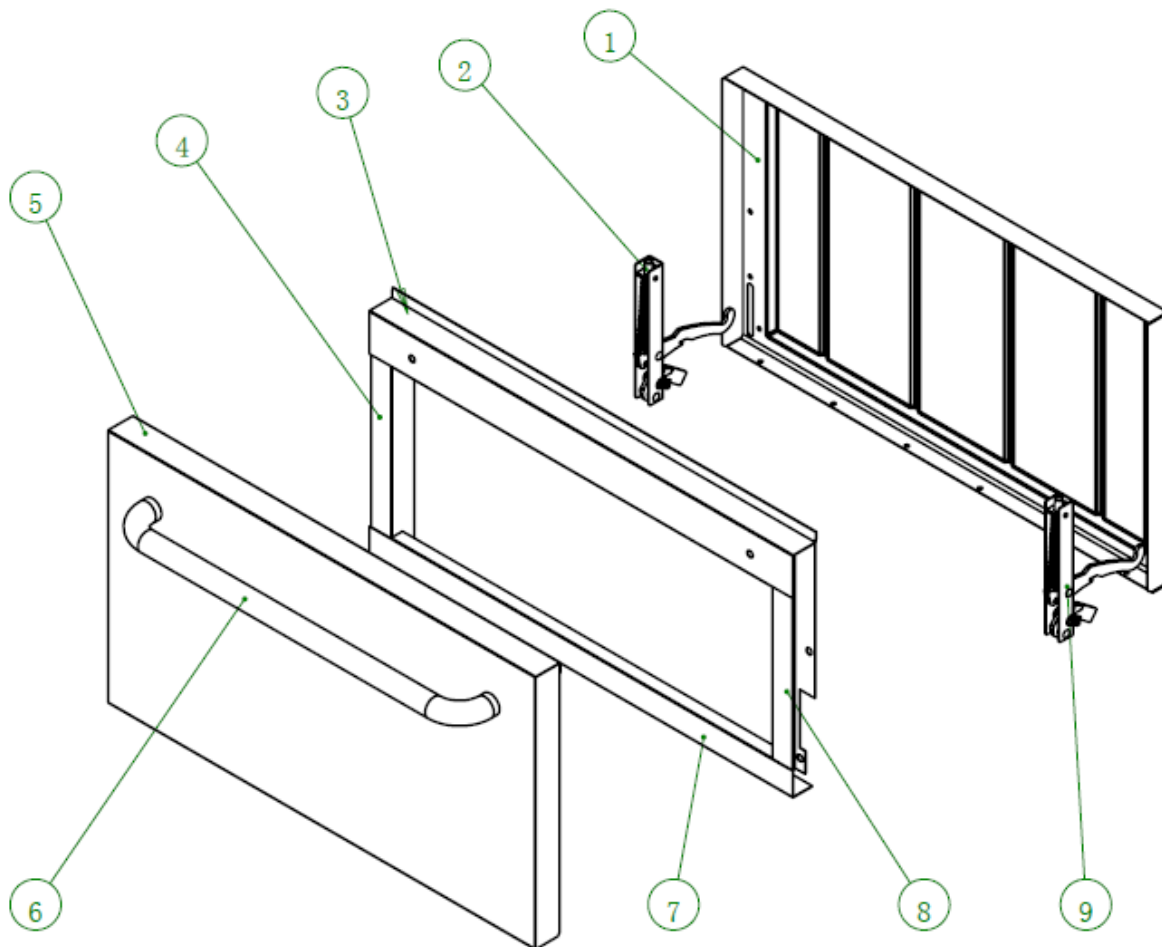
No.	Part Code	Part Name	QTY
1	302050051	GAS STOVE VALVE	10
2	302150198	BURNER NOZZLE, NG	10
2	302150190	BURNER NOZZLE, LPG	10
3	302220127	GAS OVEN VALVE	2
4	302220027	PILOT VALVE	5
5	302200620	SCREW	1
6	302180497	GAS INLET PIPE ASSEMBLY	1

KR10 OVEN CHAMBER ASSEMBLY



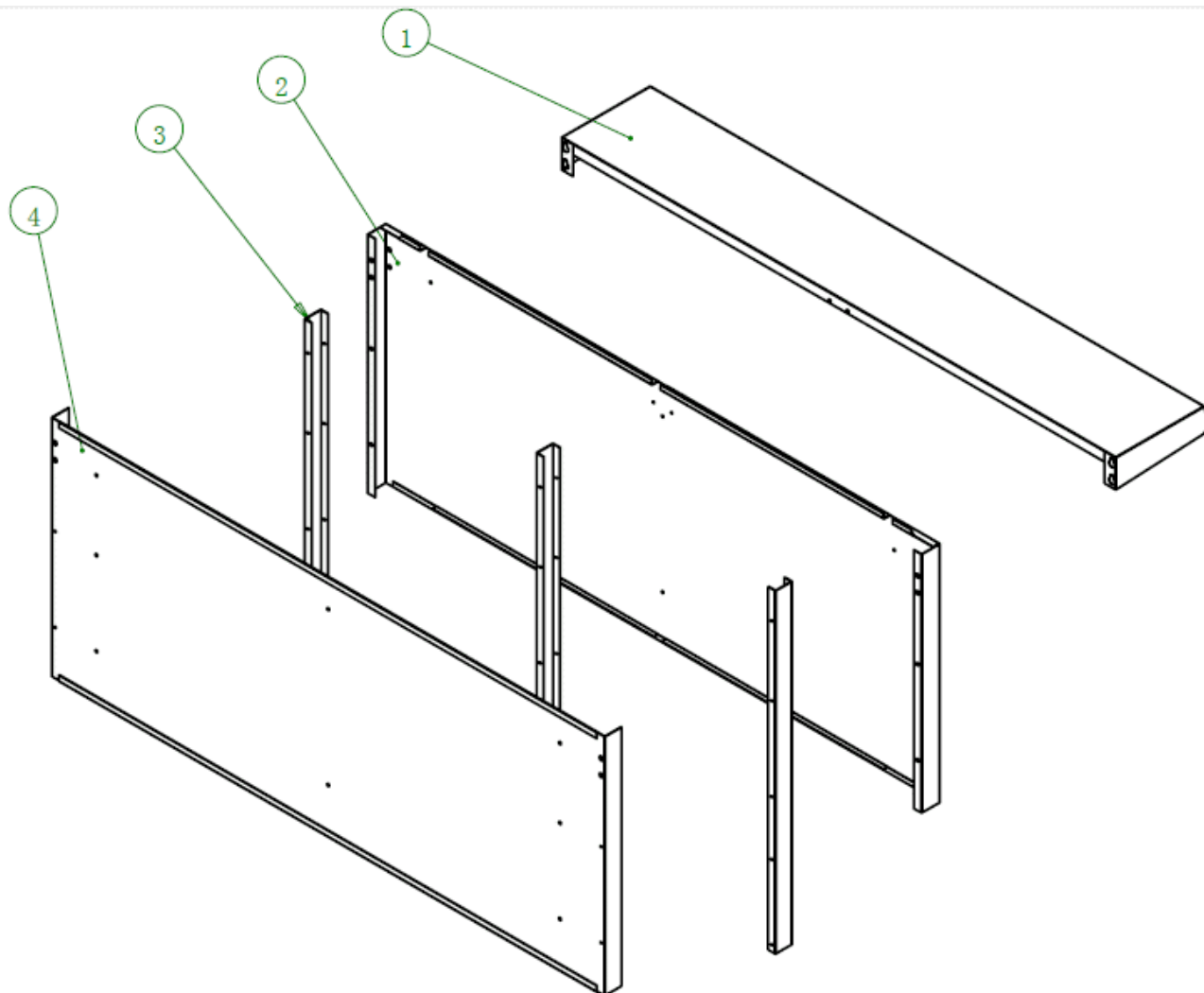
No.	Part Code	Part Name	QTY
1	20228059009	REAR SHROUDING ASSEMBLY	1
2	20228051014	OVEN CHAMBER TOP PLATE	1
3	314490021	SENSOR FIXED PLATE	1
4	20228058010	OVEN CHAMBER LEFT PLATE	1
5	316130006	OVEN CHAMBER BOTTOM LEFT LIMIT PLATE	1
6	316120002	OVEN CHAMBER SIDE REINFORCE PLATE	2
7	20228051018	OVEN CHAMBER F LOWER FRONT PLATE	1
8	302110504	RACK HOLDER	2
9	302110503	RACK (CHAMBER)	2
10	302190497	BASEBOARD (CHAMBER)	1
11	20228051028	OVEN CHAMBER BOTTOM REINFORCE PLATE	1
12	302190429	DOOR HINGE	2
13	316130007	OVEN CHAMBER BOTTOM LEFT RIGHT PLATE	1
14	20228058011	OVEN CHAMBER RIGHT PLATE	1

KR10 OVEN DOOR ASSEMBLY



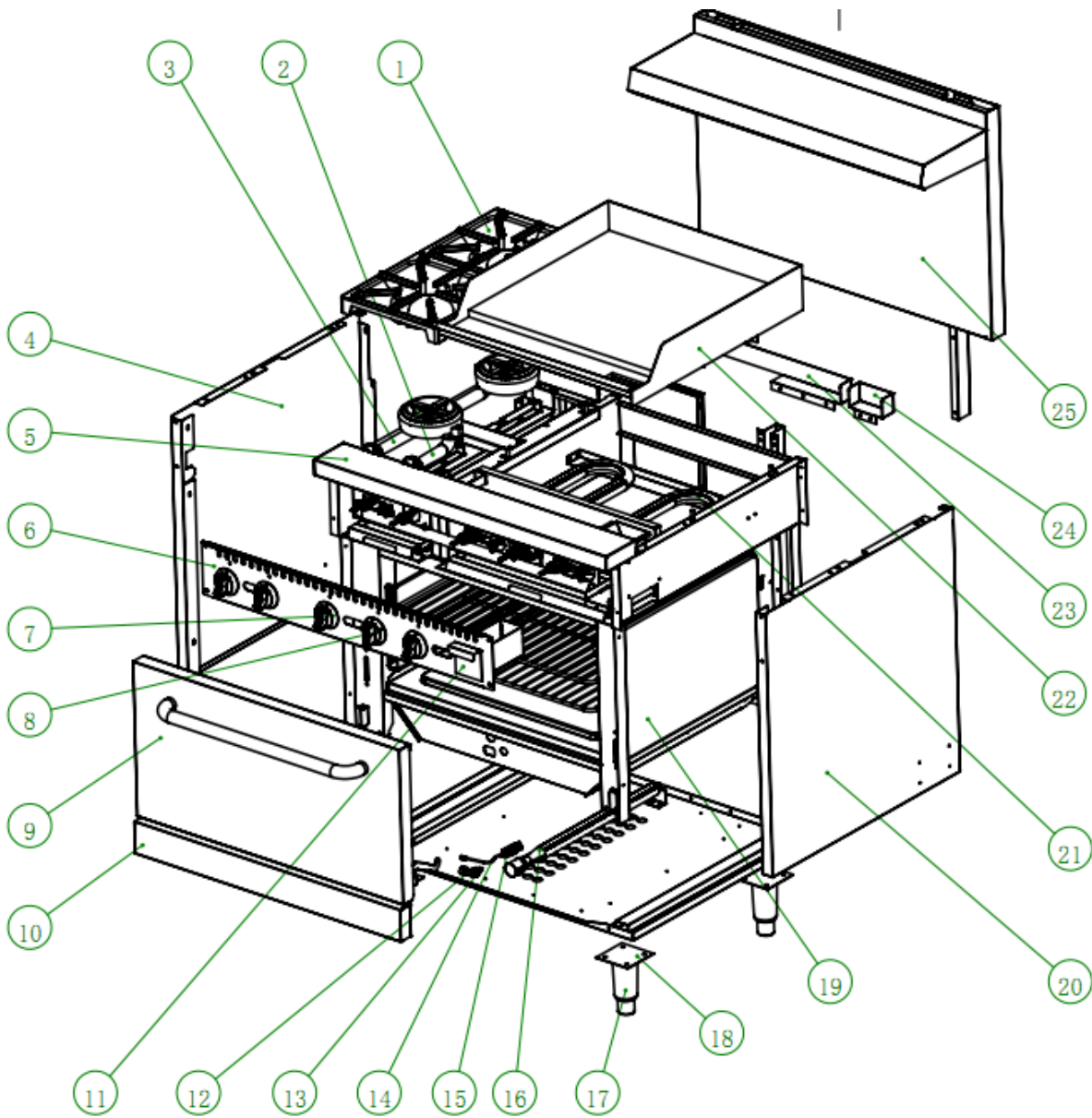
No.	Part Code	Part Name	QTY
1	20228059013	DOOR INNER PLATE	1
2	302190430	DOOR HINGE LEFT	1
3	20228059015	OVEN DOOR TOP REINFORCE	1
4	20228051037	OVEN DOOR LEFT REINFORCE	1
5	20228059012	DOOR OUTSIDE PLATE	1
6	302070144	DOOR HANDLE	1
7	20228059014	OVEN DOOR BOTTOM REINFORCE	1
8	20228051093	OVEN DOOR RIGHT REINFORCE	1
9	302190428	DOOR HINGE RIGHT	1

KR10 BACK PANEL ASSEMBLY



No.	Part Code	Part Name	QTY
1	20228059018	DECORATIVE COVER	1
2	20228059016	BACK FRONT PANEL	1
3	20228051040	BACK SUPPORT PANEL	3
4	20228059017	BACK REAR PANEL	1

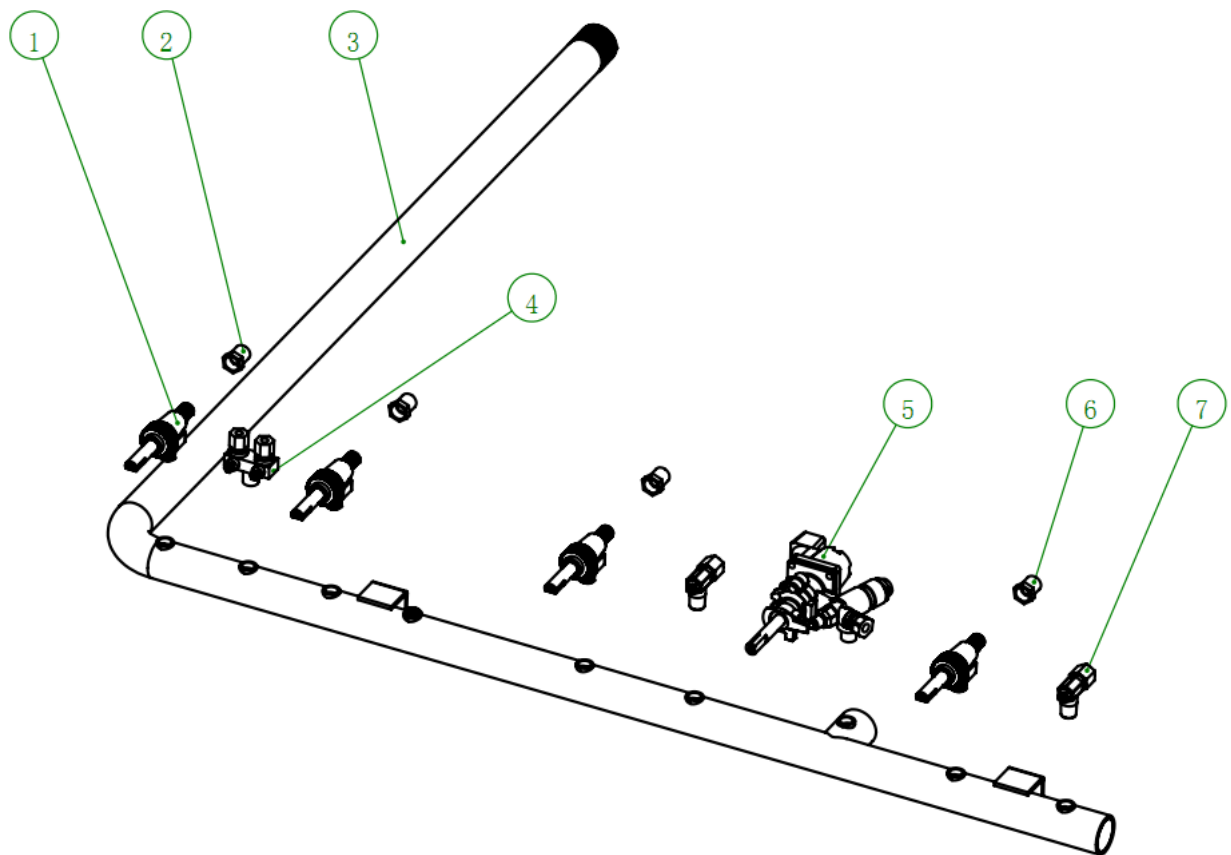
K2G24 RANGE MAIN BODY



S SERIES REPLACEMENT PARTS

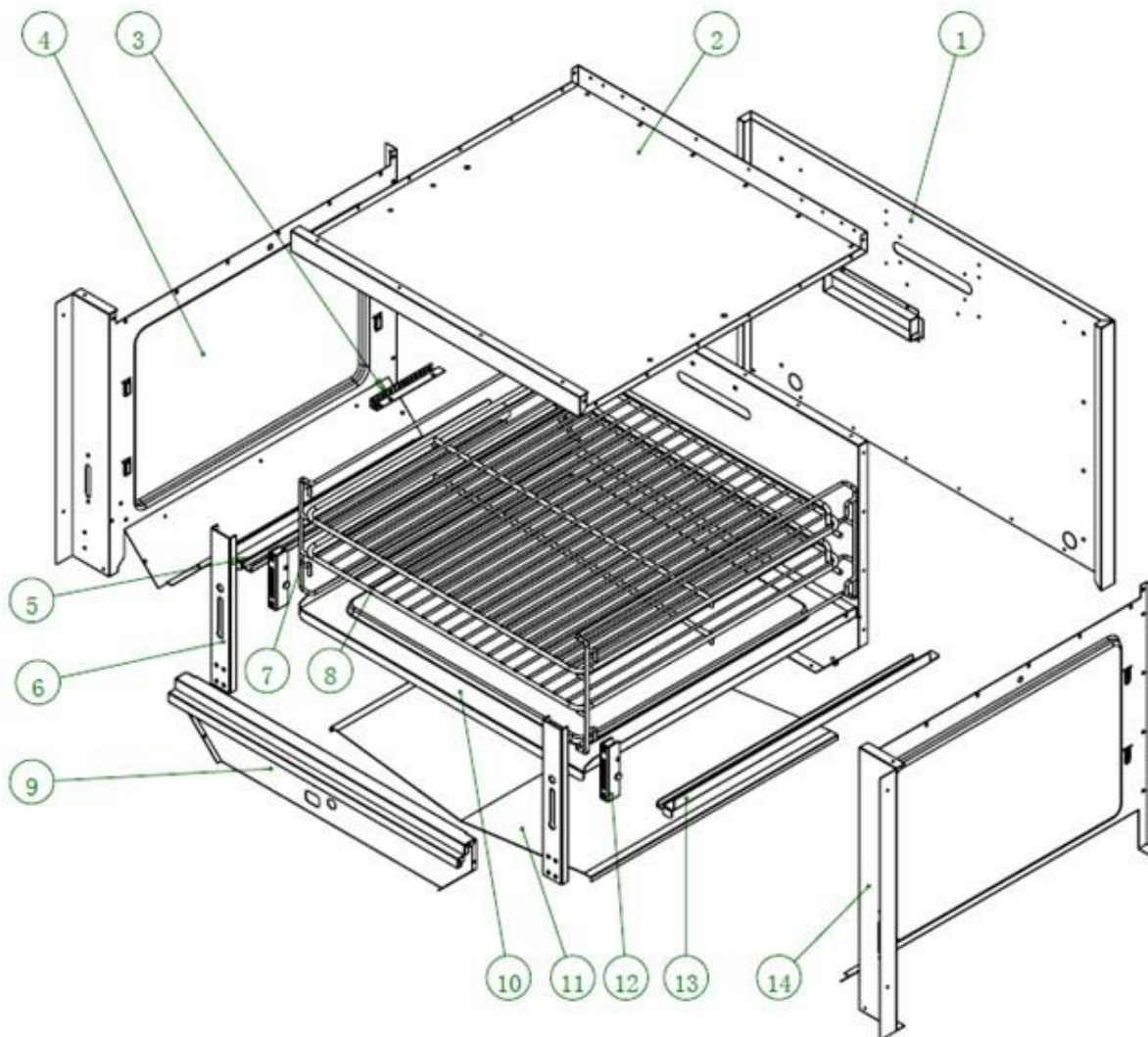
No.	Part Code	Part Name	QTY
1	302250132	BURNER GRATE	2
2	302250166	BURNER ASSEMBLY (SHORT)	2
3	302250165	BURNER ASSEMBLY (LONG)	2
4	20228077010	LEFT SIDE WALL	1
5	20228077006	FRONT COUNTERTOP	1
6	20228077007	FRONT CONTROL PANEL	1
7	301110527	BURNER KNOB	4
8	301110500	OVEN KNOB	1
	301110389	OVEN KNOB CORE	1
9	20128051035	DOOR EXTERIOR PLATE(WTHOUT LOGO HOLE)	1
10	316130001	LOWER FRONT SLAB	1
11	20128078006	OIL PAN ASSEMBLY	1
12	302140137	NOZZLE ELBOW	1
13	302150198	OVEN NOZZLE, NG	1
13	302150189	OVEN NOZZLE, LPG	1
14	302170058	Robertshaw THERMOCOUPLE	1
15	302130493+302150246	OVEN PILOT, LPG	1
15	302130493+302150345	OVEN PILOT, NG	1
16	302130384	OVEN TUBE BURNER	1
17	302090158	ADJUSTABLE LEG	4
18	302190487	LEG MOUNTING PLATE	4
19	20128051004	OVEN CHAMBER ASSEMBLY	1
20	20228077013	RIGHT SIDE WALL	1
21	302130387	U SHAPED BURNER	2
22	302010590	GRIDDLE PLATE ASSEMBLY	1
23	20228077012	GRIDDLE FLUE PALTE (2)	1
24	20228077011	GRIDDLE FLUE PALTE (1)	1
25	20128051006	BACK PANEL ASSEMBLY	1

K2G24 GAS CONTROL ASSEMBLY



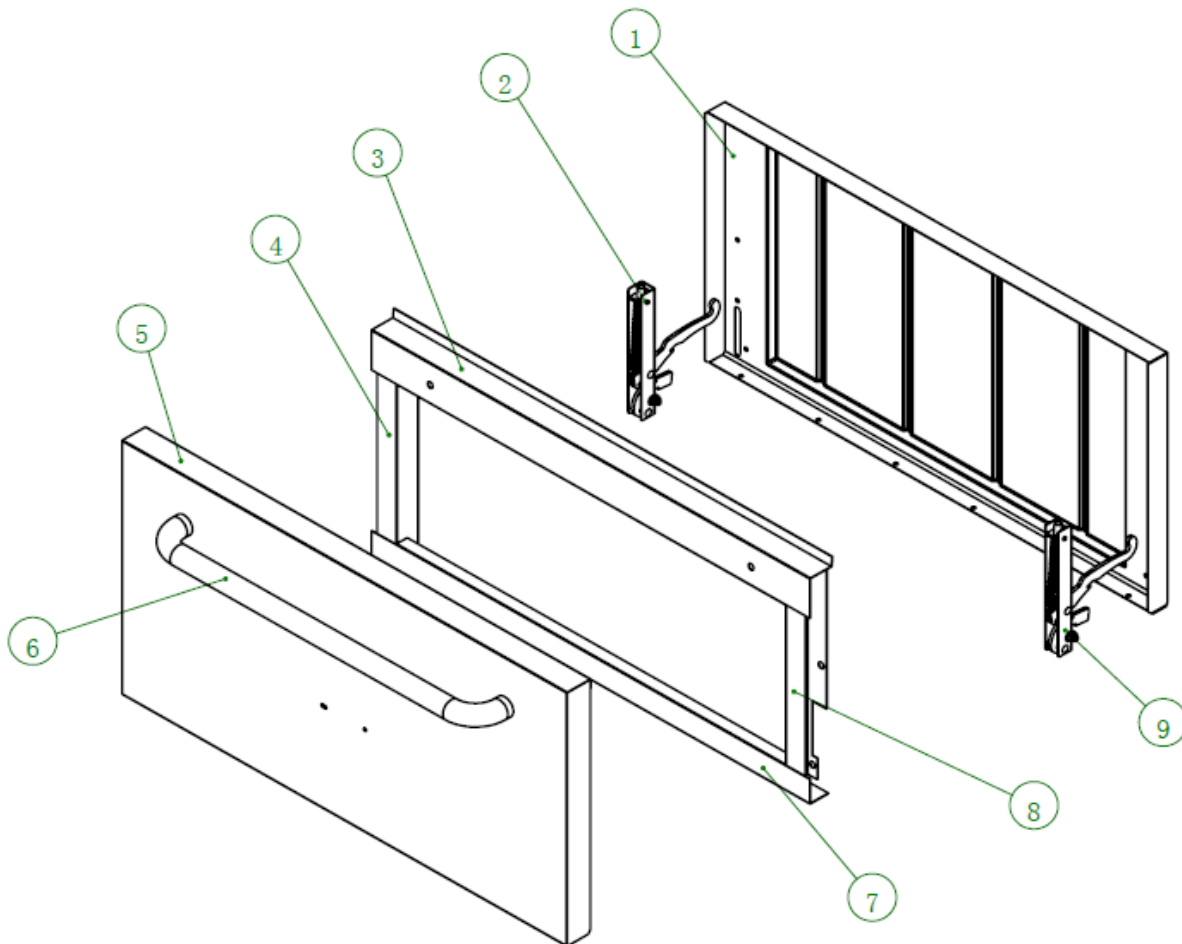
No.	Part Code	Part Name	QTY
1	302050051	RB091 GAS VALVE	4
2	302150198	BURNER NOZZLE, NG	2
	302150190	BURNER NOZZLE, LPG	2
3	302181089	GAS INLET PIPE ASSEMBLY	1
4	302220027	NG/LPG REGULATING VALVE	1
5	302220127	GAS VALVE	1
6	302150193	GRIDDLE NOZZLE, LPG	2
6	302150197	GRIDDLE NOZZLE, NG	2
7	302220028	NG/LPG REGULATING VALVE	2

K2G24 OVEN CHAMBER ASSEMBLY



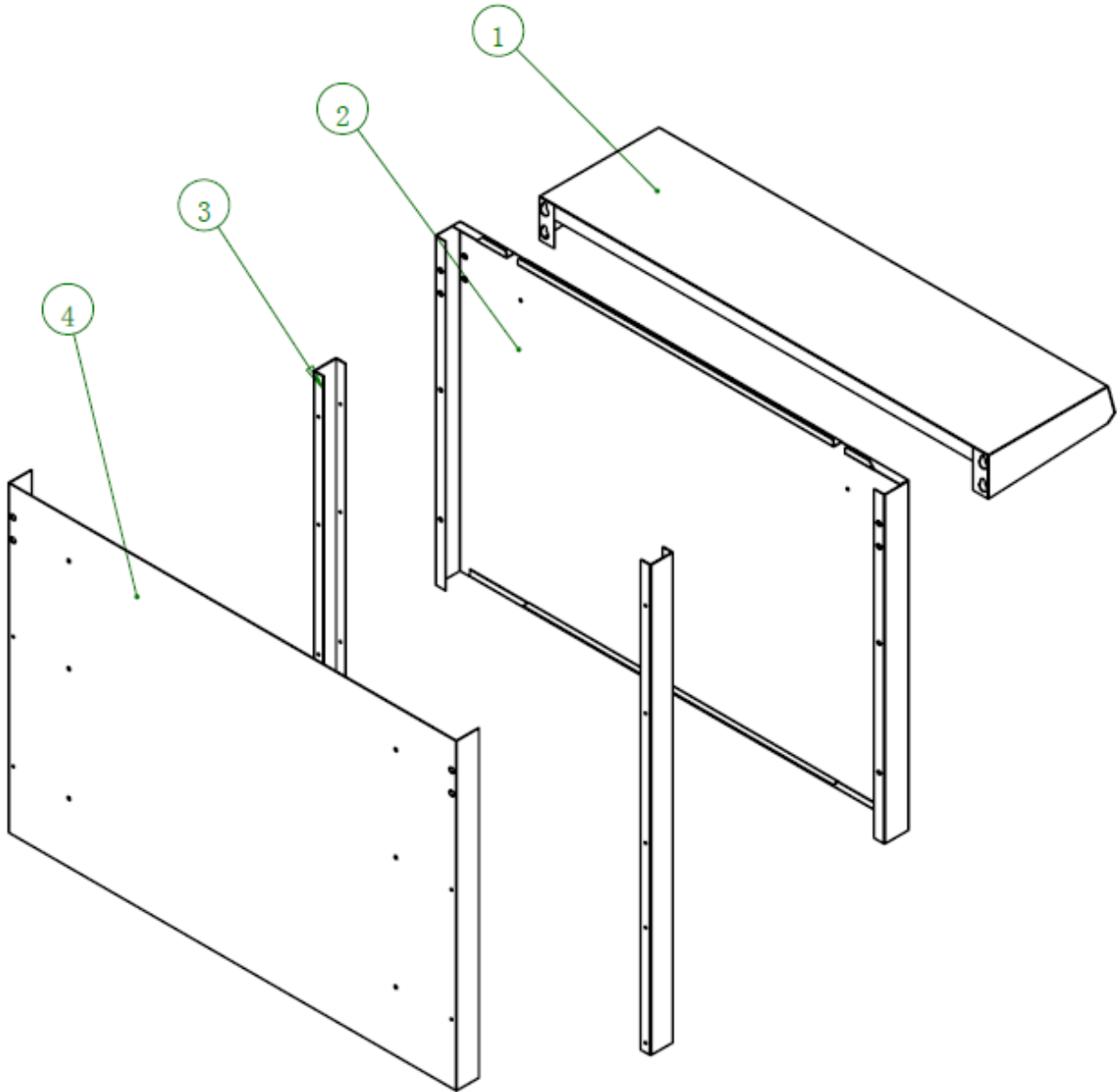
No.	Part Code	Part Name	QTY
1	20228051019	REAR SHROUDING ASSEMBLY	1
2	20228051014	OVEN CHAMBER TOP PLATE	1
3	20228051023	SENSOR FIXED PLATE	1
4	20228051015	OVEN CHAMBER LEFT PLATE	1
5	316130006	OVEN CHAMBER BOTTOM LEFT LIMIT PLATE	1
6	20228051026	OVEN CHAMBER SIDE REINFORCE PLATE	2
7	302110504	RACK HOLDER	2
8	302110503	RACK (CHAMBER)	2
9	20228051018	OVEN CHAMBER F LOWER FRONT PLATE	1
10	302190497	BASEBOARD (CHAMBER)	1
11	20228051028	OVEN CHAMBER BOTTOM REINFORCE PLATE	1
12	302190429	DOOR HINGE	2
13	316130007	OVEN CHAMBER BOTTOM LEFT RIGHT PLATE	1
14	20228051016	OVEN CHAMBER RIGHT PLATE	1

K2G24 OVEN DOOR ASSEMBLY



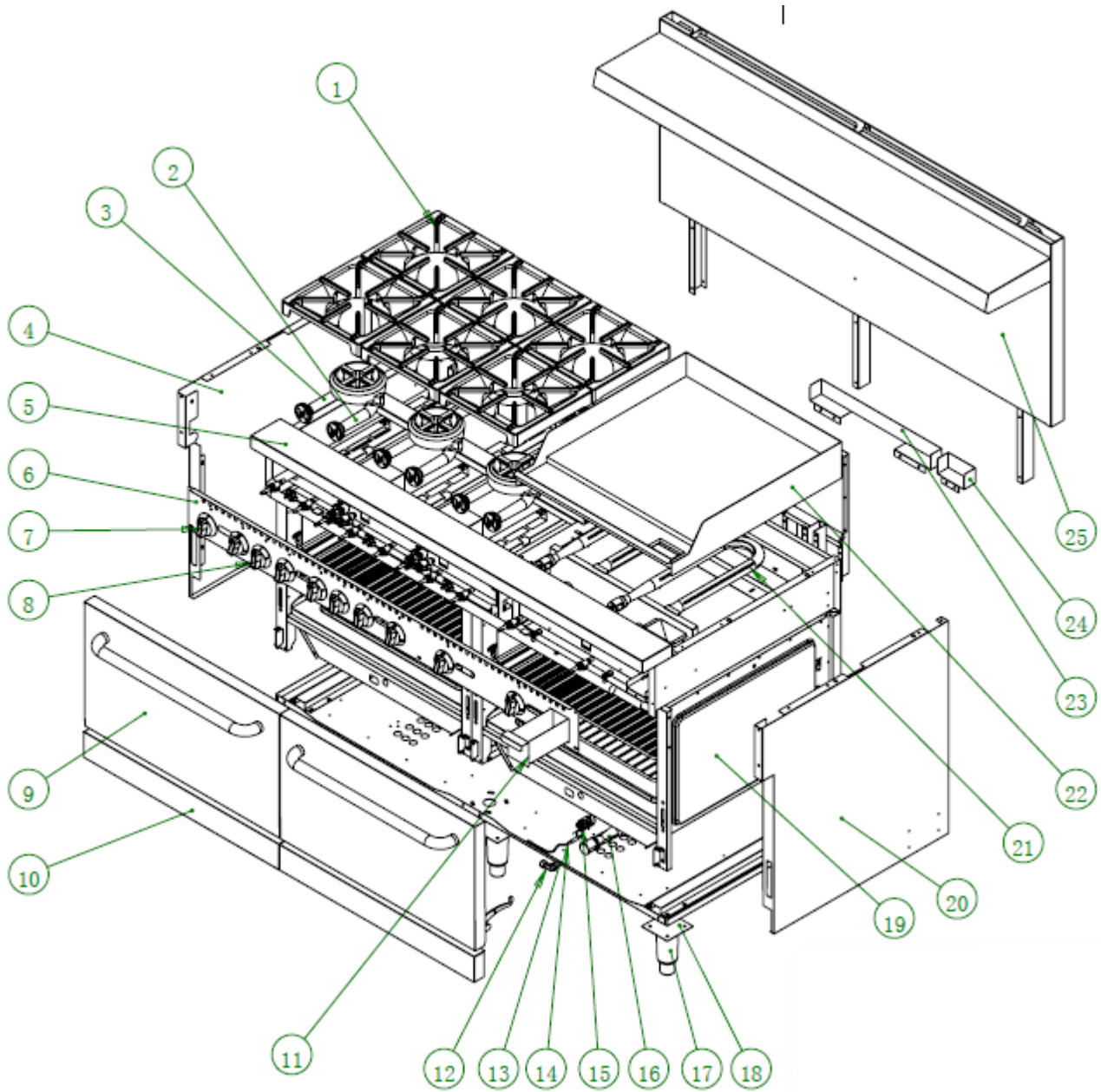
No.	Part Code	Part Name	QTY
1	20228051034	DOOR INNER PLATE	1
2	302190430	DOOR HINGE LEFT	1
3	20228051036	OVEN DOOR TOP REINFORCE	1
4	20228051037	OVEN DOOR LEFT REINFORCE	1
5	20228051092	DOOR OUTSIDE PLATE	1
6	302070144	DOOR HANDLE	1
7	20228051035	OVEN DOOR BOTTOM REINFORCE	1
8	20228051093	OVEN DOOR RIGHT REINFORCE	1
9	302190428	DOOR HINGE RIGHT	1

K2G24 BACK PANEL ASSEMBLY



No.	Part Code	Part Name	QTY
1	20228051041	DECORATIVE COVER	1
2	20228051038	BACK FRONT PANEL	1
3	20228051040	BACK SUPPORT PANEL	2
4	316130010	BACK REAR PANEL	1

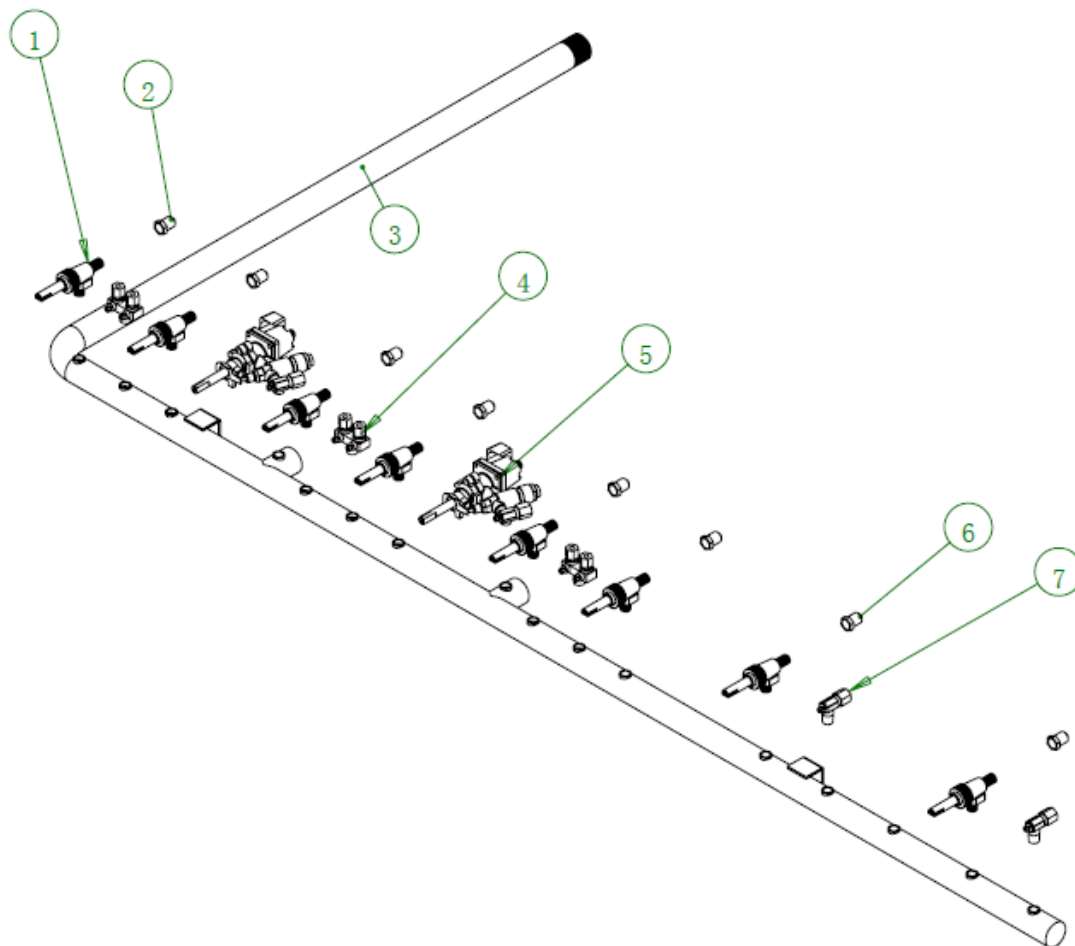
K6G24 RANGE MAIN BODY



S SERIES REPLACEMENT PARTS

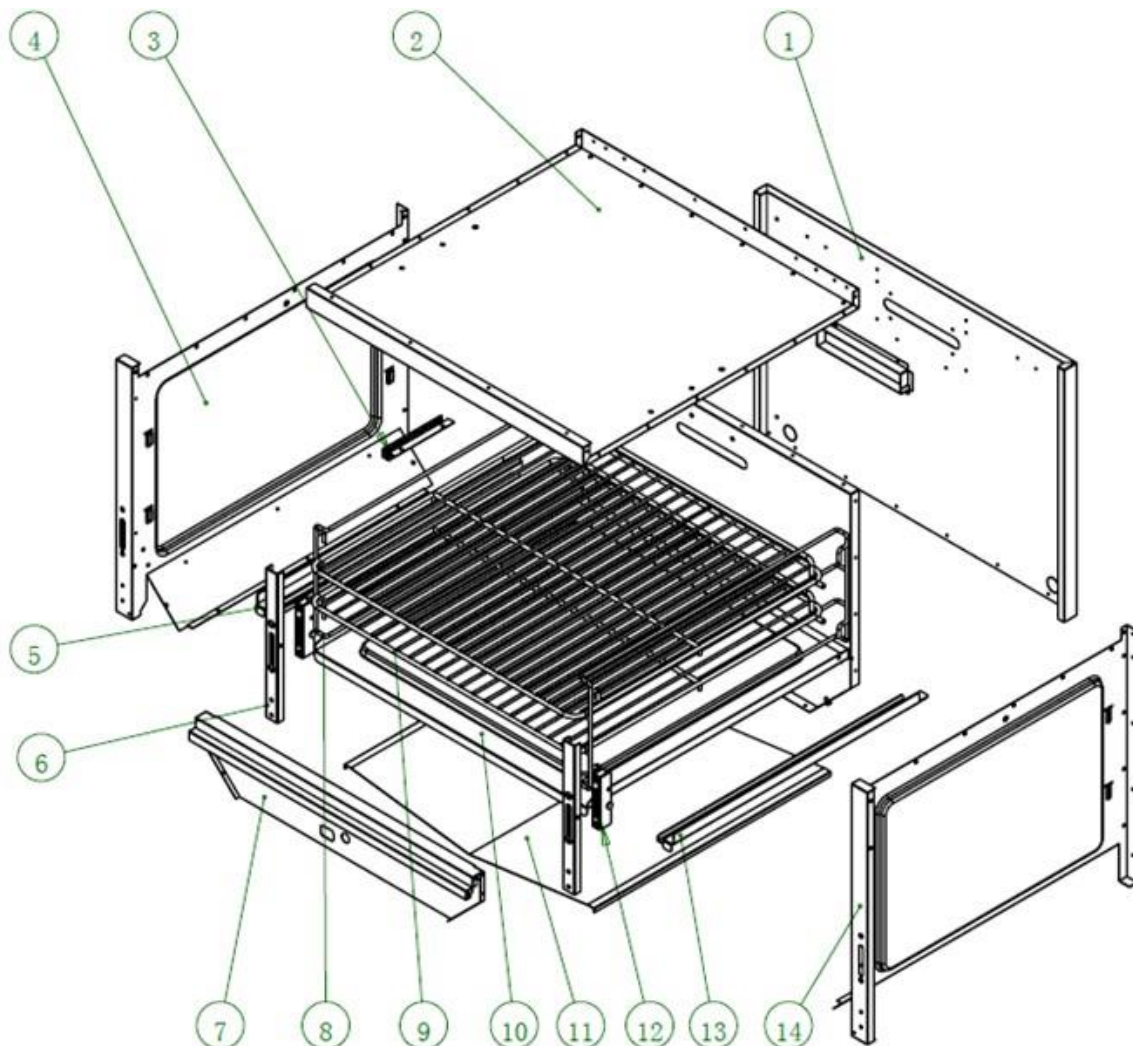
No.	Part Code	Part Name	QTY
1	302250132	BURNER GRATE	6
2	302250166	BURNER ASSEMBLY (SHORT)	3
3	302250165	BURNER ASSEMBLY (LONG)	3
4	20228078022	LEFT SIDE WALL	1
5	20228059001	FRONT COUNTERTOP	1
6	20228078005	FRONT CONTROL PANEL	1
7	301110527	BURNER KNOB	8
8	301110500	OVEN KNOB	2
	301110389	OVEN KNOB CORE	2
9	20128059013	DOOR EXTERIOR PLATE (WTHOUT LOGO HOLE)	2
10	316140001	LOWER FRONT SLAB	2
11	20228078027	OIL PAN ASSEMBLY	1
12	302140137	NOZZLE ELBOW	2
13	302150198	OVEN NOZZLE, NG	2
13	302150189	OVEN NOZZLE, LPG	2
14	302170058	Robertshaw THERMOCOUPLE	2
15	302130493+302150246	OVEN PILOT, LPG	2
15	302130493+302150345	OVEN PILOT, NG	2
16	302130384	OVEN TUBE BURNER	2
17	302090158	ADJUSTABLE LEG	6
18	302190487	LEG MOUNTING PLATE	6
19	20128059004	OVEN CHAMBER ASSEMBLY	2
20	20228078024	RIGHT SIDE WALL	1
21	302130387	U SHAPED BURNER	2
22	302010590	GRIDDLE PLATE ASSEMBLY	1
23	20228078023	GRIDDLE FLUE PALTE (2)	1
24	20228077011	GRIDDLE FLUE PALTE (1)	1
25	20128059006	BACK PANEL ASSEMBLY	1

K6G24 GAS CONTROL ASSEMBLY



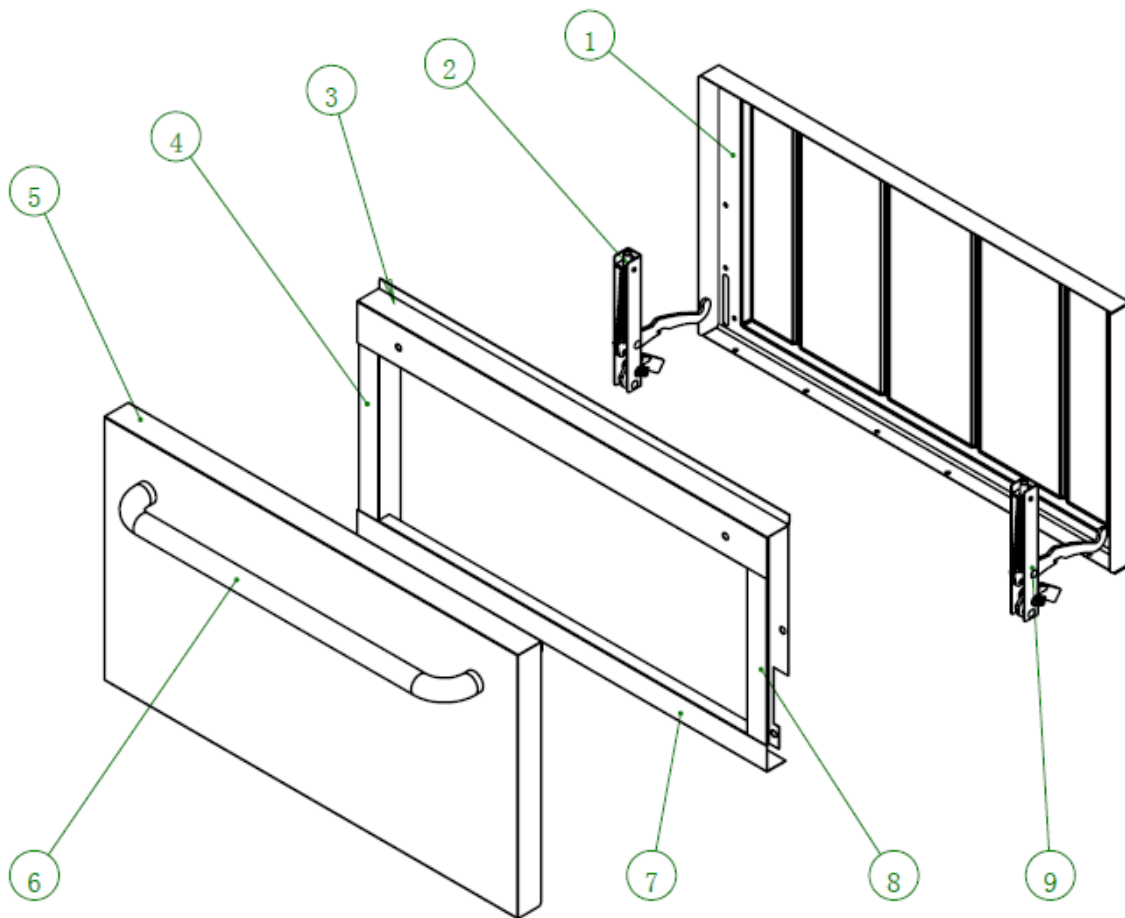
No.	Part Code	Part Name	QTY
1	302050051	RB091 GAS VALVE	8
2	302150198	BURNER NOZZLE, NG	6
	302150190	BURNER NOZZLE, LPG	6
3	302180621	GAS INLET PIPE ASSEMBLY	1
4	302220027	NG/LPG REGULATING VALVE	3
5	302220127	GAS VALVE	2
6	302150193	GRIDDLE NOZZLE, LPG	2
6	302150197	GRIDDLE NOZZLE, NG	2
7	302220028	NG/LPG REGULATING VALVE	2

K6G24 OVEN CHAMBER ASSEMBLY



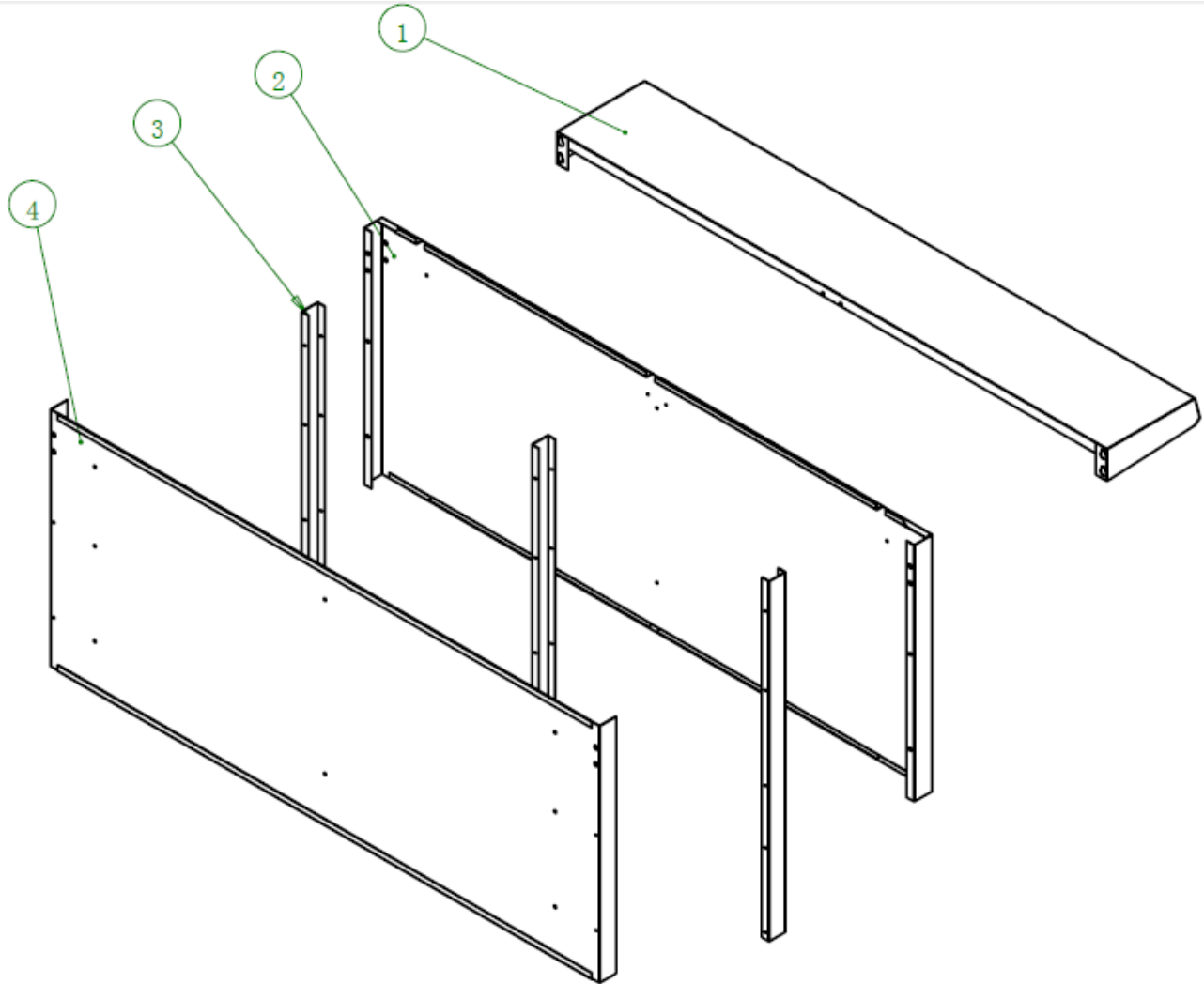
No.	Part Code	Part Name	QTY
1	20228059009	REAR SHROUDING ASSEMBLY	1
2	20228051014	OVEN CHAMBER TOP PLATE	1
3	314490021	SENSOR FIXED PLATE	1
4	20228058010	OVEN CHAMBER LEFT PLATE	1
5	316130006	OVEN CHAMBER BOTTOM LEFT LIMIT PLATE	1
6	316120002	OVEN CHAMBER SIDE REINFORCE PLATE	2
7	20228051018	OVEN CHAMBER F LOWER FRONT PLATE	1
8	302110504	RACK HOLDER	2
9	302110503	RACK (OVEN CHAMBER)	2
10	302190497	OVEN CHAMBER BOTTOM PLATE	1
11	20228051028	OVEN CHAMBER BOTTOM REINFORCE PLATE	1
12	302190429	DOOR HINGE	2
13	316130007	OVEN CHAMBER BOTTOM LEFT RIGHT PLATE	1
14	20228058011	OVEN CHAMBER RIGHT PLATE	1

K6G24 OVEN DOOR ASSEMBLY



No.	Part Code	Part Name	QTY
1	20228059013	DOOR INNER PLATE	1
2	302190430	DOOR HINGE LEFT	1
3	20228059015	OVEN DOOR TOP REINFORCE	1
4	20228051037	OVEN DOOR LEFT REINFORCE	1
5	20228059027	DOOR OUTSIDE PLATE	1
6	302070144	DOOR HANDLE	1
7	20228059014	OVEN DOOR BOTTOM REINFORCE	1
8	20228051093	OVEN DOOR RIGHT REINFORCE	1
9	302190428	DOOR HINGE RIGHT	1

K6G24 BACK PANEL ASSEMBLY



No.	Part Code	Part Name	QTY
1	20228059018	DECORATIVE COVER	1
2	20228059016	BACK FRONT PANEL	1
3	20228051040	BACK SUPPORT PANEL	3
4	20228059017	BACK REAR PANEL	1