



Installation, Operation and Troubleshooting Instructions

V-Series Reach-In Refrigerators & Freezers

For Models: VR-1, VR-2, VR-3, VR-1-G, VR-2-G, VF-1, VF-2, VF-3



Manual Part No. 50853202

Rev: 01

Print Date: 12/26/02

110 Woodcrest Road, Cherry Hill, NJ 08003

Phone: (856) 428-4200 Fax: (856) 428-7299 Website: www.victory-refrig.com

E-Mail: parts@victory-refrig.com • order-entry@victory-refrig.com • service@victory-refrig.com

PART OF AGA FOODSERVICE GROUP

T H A N K Y O U

Thank you for purchasing a Victory Refrigeration V-Series Refrigerator or Freezer! This unit has passed our strict Quality Control Inspection and meets the high standards set by Victory Refrigeration. You have made a quality investment that with proper maintenance will give you years of service.

Please read the following installation and maintenance instructions before installing or using your unit. If you have any questions, please call our Customer Service Department at (856) 428-4200.

IMPORTANT INFORMATION - PLEASE READ

- *Please read these instructions carefully before installing or using. If recommended procedures are not followed, warranty claims will be denied.*
- *Your Warranty Registration information is located on the next page of this manual. Please complete the card and submit it to Victory Refrigeration within 10 days of installation. Failure to properly register equipment can void the warranty.*
- *Victory Refrigeration reserves the right to change specifications and product design without notice. Such revisions do not entitle the buyer to corresponding changes, improvements, additions or replacements for previously purchased equipment.*
- *A detailed Owners Manual with a troubleshooting guide, parts lists and additional information can be ordered from the factory or may be downloaded free from the website at www.victory-refrig.com.*

Warranty

(Continental USA Only)

The Seller warrants to the original purchaser, equipment manufactured by Seller to be free from defects in material and workmanship for which it is responsible. The Seller's obligation under this warranty shall be limited to replacing or repairing at Seller's option, without charge, F.O.B. Seller's factory, any part found to be defective and any labor and material expense incurred by Seller in repairing or replacing such part, such warranty to be limited to a period of one year from date of purchase or thirteen months from date of shipment from Seller's factory, whichever is earlier, provided terms of payment have been fully met. All labor shall be performed during regular working hours. Overtime premium charges will be at Buyer's expense.

Proof of purchase must be supplied to Seller to validate warranty. This warranty is valid only if equipment is properly installed, started-up and inspected by the dealer or authorized Victory Service agent.

Removal or alteration of the serial/data plate from any equipment shall be deemed to release Seller from all warranty obligations or any other obligations, expressed or implied.

This warranty does not cover Thermostat or Defrost Timer calibration and/or adjustment, freight damage, normal maintenance items outlined in Owner's Manual, adjustment of door mechanisms or replacement of light bulbs, fuses or batteries.

Any repairs or replacement of defective parts shall be performed by Seller's authorized service personnel. Seller shall not be responsible for any costs incurred if the work is performed by other than Seller's authorized service personnel. Reimbursement claims for part(s) or labor service costs must be made in writing. Model, cabinet serial numbers and installation location must be shown on the claim. A receipted bill from the servicing agency must accompany the claim, together with full details of the service problems, diagnosis and work performed. Victory reserves sole discretion whether further documentation on a claim is to be submitted.

Seller shall not be liable for consequential damages of any kind which occur during the course of installation of equipment, or which result from the use or misuse by Buyer, its employees or others of the equipment supplied hereunder, and Buyer's sole and exclusive remedy against Seller for any breach of the foregoing warranty or otherwise shall be for the repair or replacement of the equipment or parts thereof affected by such breach.

The foregoing warranty shall be valid and binding upon Seller if and only if Buyer loads, operates and maintains the equipment supplied hereunder in accordance with the instruction manual provided to Buyer. Seller does not guarantee the process of manufacture by Buyer or the quality of product to be produced by the equipment supplied hereunder and Seller shall not be liable for any prospective or lost product or profits of Buyer.

THE FOREGOING WARRANTY IS EXCLUSIVE AND IN LIEU OF ALL OTHER EXPRESS AND IMPLIED WARRANTIES WHATSOEVER. SPECIFICALLY THERE ARE NO IMPLIED WARRANTIES OF MERCHANTABILITY OR OF FITNESS FOR A PARTICULAR PURPOSE.

The foregoing shall be Seller's sole and exclusive obligation and Buyer's sole and exclusive remedy for any action, whether in breach of contract or negligence. In no event shall Seller be liable for a sum in excess of the purchase price of the item.

You may register online at www.victory-refrig.com, fax this completed page to (856) 428-7299, or copy and mail form below to Victory.

***NOTE:** The following mail-in form or online registration must be filled out and forwarded to Victory by the installer or customer within 10 days after start-up. Failure to do this will invalidate the warranties. Retain this information for your records.



110 WOODCREST ROAD
CHERRY HILL, NJ 08003-3648
TEL: (856) 428-4200 • FAX: (856) 428-7299

Cabinet Model No. _____

Cabinet Serial No. _____

(Data plate information located inside cooler on the upper left wall)

**WARRANTIES NOT VALID UNLESS REGISTERED AT
FACTORY WITHIN 10 DAYS AFTER START-UP DATE.**

ORIGINAL DATE OF INSTALLATION _____

INSTALLATION COMPANY NAME _____

STREET _____ CITY _____ STATE _____ ZIP CODE _____

DISTRIBUTOR'S NAME _____

STREET _____ CITY _____ STATE _____ ZIP CODE _____

INSTALLATION INSTRUCTIONS

Proper installation is the first step to operation. We recommend that your refrigerator or freezer be installed by an authorized Victory Certified Installer.

Receiving Shipment

All units are performance tested and thoroughly inspected prior to shipment. Upon leaving the factory, all units are in perfect condition. Upon receipt, examine the exterior of the shipment packaging for any signs of rough handling. If the cabinet is damaged, it should be noted on the delivery slip or bill of lading and signed. A claim must be filed immediately against the carrier indicating the extent and estimated cost of damage incurred.

Uncrating

Tools Needed : 3/4" Box Wrench • Adjustable Wrench • Level

WARNING: Never lay your refrigerator or freezer down on either its back, front or sides. This allows compressor oil into the refrigerant lines which can damage the compressor at start-up. If the unit is laid down, it must be set upright for a minimum of 12 hours before starting the compressor. Failure to adhere to the above recommendation will void the warranty.

1. Split plastic wrap along one of the cardboard posts. Remove and discard all packaging material, tape and interior components.
2. Move cabinet as close to final location as possible before removing skid.
3. Remove the shipping skid by tipping the cabinet forward. Remove the shipping bolts with 3/4" box wrench while the cabinet is held in one direction. Repeat this procedure while the cabinet is held in the opposite direction.
4. Use extreme caution when removing the wooden skid, especially when the last bolt is removed. If not properly blocked, the skid will fall to the floor.

Locating Your New Storage Refrigerator or Freezer

Consider the following when selecting a location for your refrigerator or freezer:

1. **Clearance** - There must be a minimum clearance of 10" between the top of the refrigerator or freezer and the ceiling.
2. **Floor Load** - The floor on which the cabinet will rest must be free of vibration and suitably strong enough to support the combined weights of the cabinet plus the maximum product load.
3. **Ventilation** - The air cooled, self-contained refrigerator or freezer requires a sufficient amount of cool, clean air. Avoid placing the refrigerator near heat generating equipment such as ovens, ranges, heaters, fryers, steam kettles, etc., and out of direct sunlight. Avoid locating the self-contained refrigerator in an unheated room, or where the room temperature may be below 55°F.

Installing Casters or Legs

Refrigerators and freezers are shipped with 1/2" single stud mounted legs or casters.

1. Casters / legs must be screwed by hand into the threaded holes located on the case bottom (***Note:** *Once the caster cannot be turned, take a 3/4" box wrench and tighten the nut in between the mounting plate and wheel of the caster until it is snug*).
2. Tilt the cabinet in one direction approximately eight inches and block it securely with several pieces of 2 x 4 lumber or other suitable material.
3. Screw in the two left or right casters /legs.
4. Repeat this procedure to install the other casters/legs.

Leveling

Cabinets must be leveled when installed. Failure to level your cabinet may result in doors not sealing, closing properly or condensate water not draining properly.

Casters - Cabinets with casters can be leveled by placing large flat washers in between 1/2" stud and holes located on the case bottom.

Legs - Rotate the foot of the leg with an adjustable wrench to achieve desired height for leveling.

Cabinet Cleaning

Prior to placing your new refrigerator and all shelves, pans and slides into operation, it is advisable that the interior be washed thoroughly with a mild detergent and water solution. Rinse with clear water and a sanitizing solution. Allow cabinet to air dry.

Installing Shelves

All cabinets with shelves are supplied with pilasters and shelf clip supports. Shelves are easily installed by inserting the shelf support clips into the pilasters so they fit tightly. Align the shelf so the smaller fill wires run from front to rear and rest the shelf on the clips.

Electric Supply

Wiring should be done by a qualified electrician in accordance with local electrical codes. **A separate ground wire must be supplied for all installations.** A properly wired refrigerator or freezer will assure proper operation. Electrical supply requirements are on the cabinet serial/data plate. It is recommended that a direct, properly protected line of the proper size wire be installed from the main supply to your refrigerator or freezer. To assure that the correct voltage is being supplied, while the refrigerator or freezer is in operation take a voltage reading at the motor-compressor electrical connections, or as close to the motor-compressor as possible.

All refrigerator or freezer electrical systems are internally grounded.

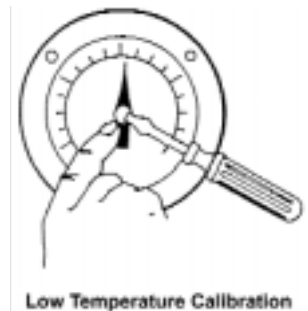
Temperature Control

Temperature control should be set to maintain a temperature of 38°F (3.3°C) to 40°F (4.4°C) for refrigerators, and 0°F (-17°C) to -5°F (-20.5°C) for freezers.

Adjusting Dial Thermometer (if required)

Check the cabinet temperature by using an accurate hand held dial or digital thermometer placed next to the thermometer sensing bulb (located in the upper right hand corner of your cabinet). If the dial thermometer on the cabinet grill matches the test thermometer ($\pm 1^\circ\text{F}$) do not adjust.

If it does not match, remove the dial thermometer lens with a small screwdriver. To adjust the temperature needle, insert a small screwdriver in the slotted screw on the needle. Hold the wide end of the needle to keep it from moving and turn the screw clockwise or counterclockwise to adjust as needed. Release the needle and remove the screwdriver. Verify new needle setting with the test thermometer. Replace the dial thermometer lens.



Installing Replacement Door Gasket (if required)

Removing

Beginning at one corner, pry gasket loose from the retaining strip. Peel remainder of gasket from the door and discard.

Replacing

Before replacing, be sure the gasket and door are at room temperature. (If necessary, soak the gasket in warmwater to make it more pliable.) Align new gasket frame on the door retainer strip. Starting at one corner, press each corner of the gasket into the retainer strip. Once started, the gasket can be easily inserted around the entire perimeter of the door by simply press rolling into place.

Installation Checklist

After the cabinet has been installed, leveled and cleaned as described, refer to the following checklist prior to start-up.

- Check for proper electrical hook-up.
- Check exposed refrigeration line connections for leaks. Make sure refrigeration lines are not dented, kinked or rubbing.
- Check condenser fan for freedom to rotate without striking any stationary members.
- Check that cabinet is level.

Product Load

After the refrigerator or freezer has been started and reaches the proper storage temperatures, food may be loaded. For optimum energy efficiency, we recommend allowing a 1-1/2" clearance between the interior cabinet wall and product load.

PERIODIC MAINTENANCE

Cabinet Cleaning

Victory Refrigeration recommends periodic internal and exterior cleaning as outlined below.

Daily Exterior Cleaning

1. Clean surface with a sponge and cleaning solution. Use a non-abrasive cleaner that does not contain chlorine.
2. Polish with a soft cloth, wiping with the grain of the metal.
3. Once a week wipe with a film cutting agent to maintain shine.

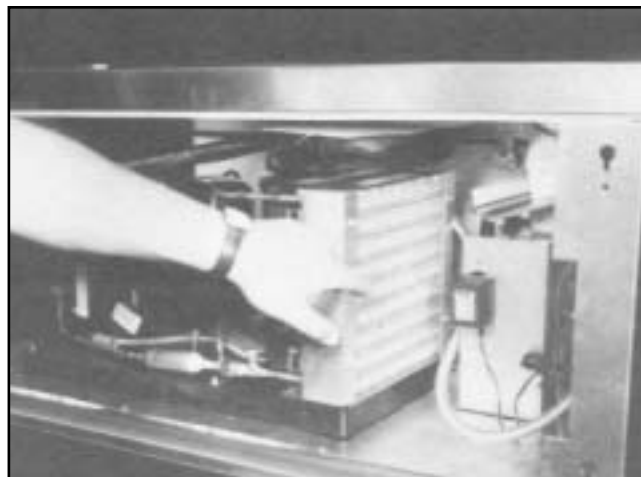
Weekly Interior Cleaning

1. Remove all food, food related items and shelves.
2. Turn the unit off.
3. Remove loose food particles from interior floors, walls and ceiling.
4. Scrub all interior surfaces with warm detergent solution 100 °F - 120°F (38°C - 39°C) and a nylon bristled brush.
5. Rinse with clear water and allow to air dry.
6. Reinstall shelves.
7. Return power (electrical) to unit by resetting circuit breaker.
8. Return food to cabinet when temperature indicator reaches safety zone.

Condenser Maintenance

To keep your cabinet running efficiently, it is recommended that you clean the condenser once every three months. However, once a month is recommended if the unit is located near cooking equipment which produces grease laden vapors, i.e. fryers, grills, steam kettles, etc.

1. Disconnect power by switching circuit breaker to "OFF" position.
2. Remove the front grill by removing the two (2) screws on the inside of the grill at each end, then lift the panel up and straight out.
3. Use a vacuum cleaner with proper brush attachments to clean the condenser, motor-compressor and related parts.
4. In extreme cases of dust and grease buildup, the condenser fins may require blowing out with compressed air or cleaning with a degreasing agent.
5. Turn circuit breaker to "ON" position.



WARNING: Failure to keep condenser clean may cause premature failure of motor-compressor which will NOT be covered by warranty.

Lubrication

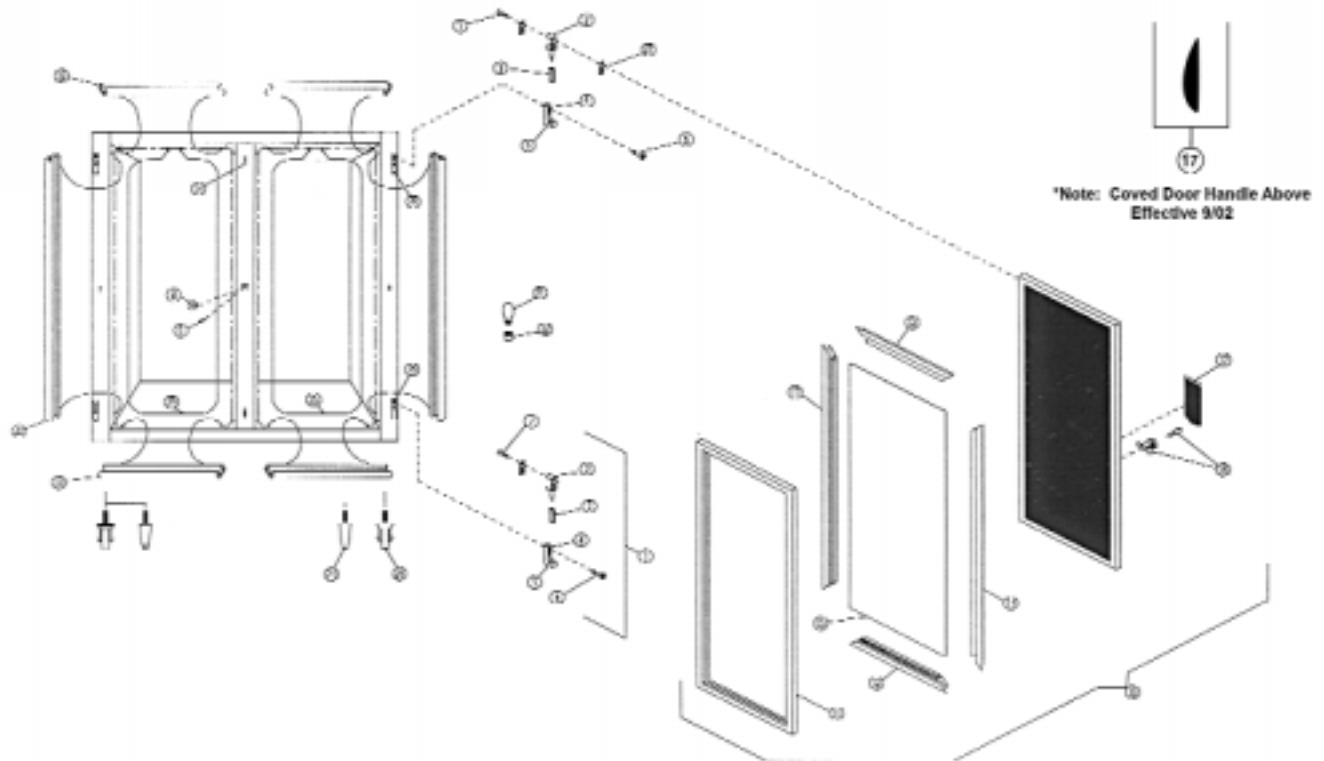
Unless otherwise specified, all Victory refrigerators are equipped with oilless type motors. The motor-compressor is a sealed unit and is constantly lubricated when in operation. The condenser and the evaporator motors are equipped with lifetime oiled bearings which never need to be oiled.

BEFORE CALLING SERVICE GUIDE FOR COMMON PROBLEMS

Caution: Disconnect Power Supply Prior to Attempting Any Service!

Problem	Possible Cause	Remedy
Cabinet not running.	Fuse blown or circuit breaker tripped.	Replace fuse or reset circuit breaker.
	Power cord unplugged.	Plug in cord.
	Main Power switch turned off	Turn power switch on.
	Improper Voltage supplied to cabinet (Voltage does not match Data Plate).	Correct supply voltage (Remove extension cords or other equipment on circuit, etc.)
	Thermostat set too high	Set thermostat to lower temperature.
	Cabinet in defrost cycle. (Freezer models)	Allow defrost cycle to finish.
Condensing Unit on Refrigerator or Freezer runs for prolonged period or continuously.	Excessive amount of warm product loaded in cabinet.	Allow adequate time for product to cool down.
	No product in cabinet.	Load cabinet with product.
	Prolonged door opening or door ajar.	Make sure door is closed when not in use. Avoid prolonged door openings.
	Door gasket not sealing properly.	Check gasket condition. Adjust door or replace gasket.
	Dirty Condenser coil.	Clean the condenser coil.
	Improper air flow around Condensing Unit.	Insure adequate air space, relocate away from heat generating equipment, direct sunlight, or direct path of air conditioning or heating ducts.
	Evaporator coil blocked with ice.	Turn unit off and allow coil to defrost. Make sure thermostat is not set too cold and that door gasket is sealing properly.
Refrigerator or Freezer cabinet temperature too high	Thermostat set too high.	Set thermostat to lower temperature (Refer to Users Manual).
	Poor air circulation in cabinet.	Re-arrange product to allow proper air circulation.
	Exterior Thermometer out of calibration.	Refer to Users Manual for calibration procedure.
	Excessive amount of warm product in cabinet.	Allow adequate time for product to cool down.
	Prolonged door openings or door(s) ajar.	Make sure door(s) are closed when not in use. Avoid prolonged door openings.
	Dirty condenser coil.	Clean the condenser coil.
	Insufficient clearance around cabinet or excessively high ambient temperature.	Insure adequate air space, relocate away from heat generating equipment (ovens, fryers, etc.), and out of direct sunlight.
	Evaporator coil blocked with ice.	Turn unit off and allow coil to defrost. Make sure thermostat is not set too cold. Also, check gasket condition.
Cabinet is noisy	Part(s) loose.	Locate and tighten loose part(s)
	Tubing Vibrating.	Insure tubing is free from contact with other tubing or components,.
Refrigerator is freezing product	Thermostat is set too low.	Set thermostat to higher temperature.
	Cabinet overloaded with product	Remove or rearrange product.
Refrigerator or Freezer Compressor will not start - hums and trips on overload protector.	Dirty Condenser coil.	Clean the condenser coil.
	Excessive heat generated from equipment nearby	Relocate cabinet, or adjacent heat generating equipment.
	Voltage to cabinet too high or too low.	Check and correct supply voltage.
Door won't close tight.	Cabinet is not level.	Level cabinet by adjusting legs or shimming casters.
	Door not seated properly in hinge.	Adjust door on hinges by lifting slightly, rotating and reseating.
Condensation on the face of cabinet.	Facia Heaters are turned OFF.	Turn Exterior Condensate Control Switch on Grill to "ON" position.
Digital thermometer blank, flashing, or displaying incorrect temperature or odd characters.	Cabinet not running or temperature too high.	See Remedies Above
	Thermometer probe wire disconnected at back of thermometer.	Connect thermometer probe wire (behind Grill).
	Incorrect power to thermometer unit.	Check Transformer (Located in Electrical Box) and Battery (Located on thermometer, behind Grill.)
	Display module requires calibration.	Refer to Users Manual for calibration procedure.

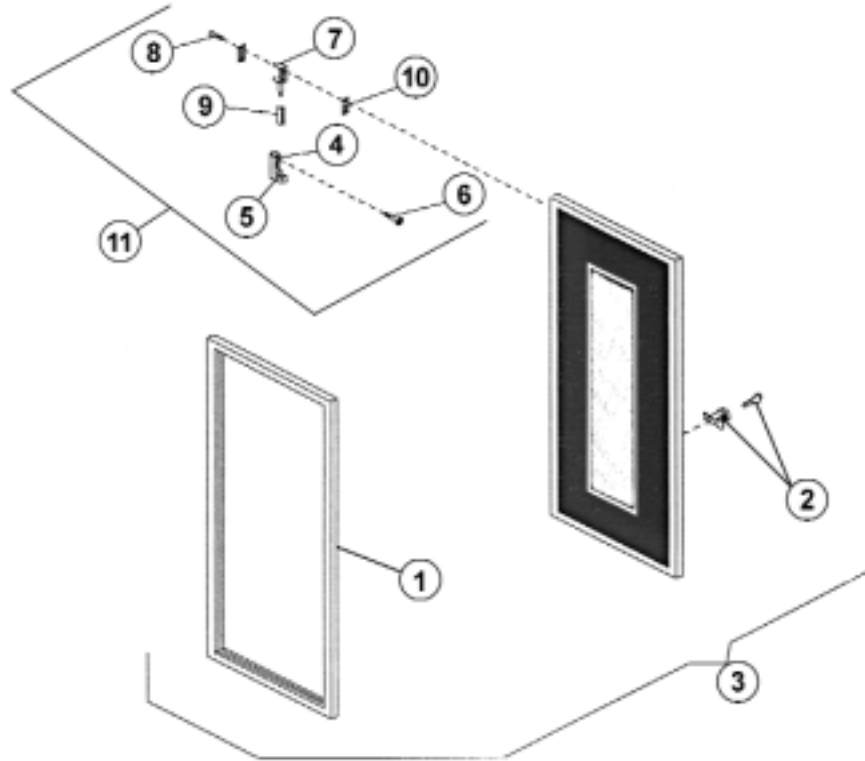
Cabinet & Hinged Metal Door Parts



Item	Description	Part Number	Quantity
1	Door Hinge Assembly	10685101	2 per door
2	Hinge Barrel	50520102	1 per hinge assembly
3	Hinge Cover	50520105	1 per hinge assembly
4	Hinge Base	50520103	1 per hinge assembly
5	Hinge Cam	50520106	1 per hinge assembly
6	Hinge Base Screw	50678801	3 per hinge assembly
7	Hinge Barrel Screw	50678801	2 per hinge assembly
8	Keeper, Single Door	01368801	1 per one & three section unit
8	Keeper, Double Door	01368802	1 per two & three section unit
9	Screw, Door Keeper	50585702	2 per door keeper
10	Door Assembly, RH Full Door w/ Rectangular Handle - * Prior to 9/3/02	10791102	per all standard section units
10	Door Assembly, RH Full Door w/ Coved Handle - * After 9/3/02	10791109	per all standard section units
10	Door Assembly, LH Full Door w/ Rectangular Handle - * Prior to 9/3/02	10791101	1 per two & three section units
10	Door Assembly, LH Full Door w/ Coved Handle - * After 9/3/02	10791110	1 per two & three section units
10	Door Assembly, LH Half Door w/ Rectangular Handle - * Prior to 9/3/02	10794105	* available upon request *
10	Door Assembly, LH Half Door w/ Coved Handle - * After 9/3/02	10818203	* available upon request *
10	Door Assembly, RH Half Door w/ Rectangular Handle - * Prior to 9/3/02	10794106	* available upon request *
10	Door Assembly, RH Half Door w/ Coved Handle - * After 9/3/02	10818204	* available upon request *
11	Door Gasket, Full - * Cabinets Built Prior to 9/3/02	50827801	1 per full length metal door
11	Door Gasket, Full - * Cabinets Built After 9/3/02	50879501	1 per full length metal door
11	Door Gasket, Half - * Cabinets Built Prior to 9/3/02	50827802	* available upon request *
11	Door Gasket, Half - * Cabinets Built After 9/3/02	50879502	* available upon request *
12	Retainer, Door Gasket (Top & Bottom)	50827701	2 per full & half length door
13	Retainer, Door Gasket (Sides for Full Door)	50827601	2 per full length door
13	Retainer, Door Gasket (Sides for Half Door)	50827602	* available upon request *
14	Plugs	50829101	* available upon request *
15	Door Pan, Full	50827901	1 per full length door
15	Door Pan, Half	50827902	* available upon request *
16	Lock & Key Set	50597107	1 per door
17	Door Handle, Rectangular - * Cabinets Built Prior to 9/3/02	50828001	1 per door
17	Door Handle, Coved - * Cabinets Built After 9/3/02	50867701	1 per door
18	Breaker Strip, Top	90317003	1 per section
19	Breaker Strip, Bottom	90317002	1 per section
20	Breaker Strip, Side (Full & Half)	90317001	2 per section
21	Bulb, Light	50828801	1 per unit
22	Socket, Light	50826601	1 per unit
23	Legs (Black in Color)	50671801	4 per unit
24	Castors, 5" Swivel (with Brake, 6" Overall Height)	50096002	4 per unit
25	Heater Wire, Door Frame	50707501	1 per section
26	Shim, Fascia	50720701	* available upon request *
27	Shim, Door	50538601	* available upon request *

*Note: All field replacement parts may not be stated on this parts list. For additional information or assistance, contact the factory.

Hinged Vision Panel Door Parts



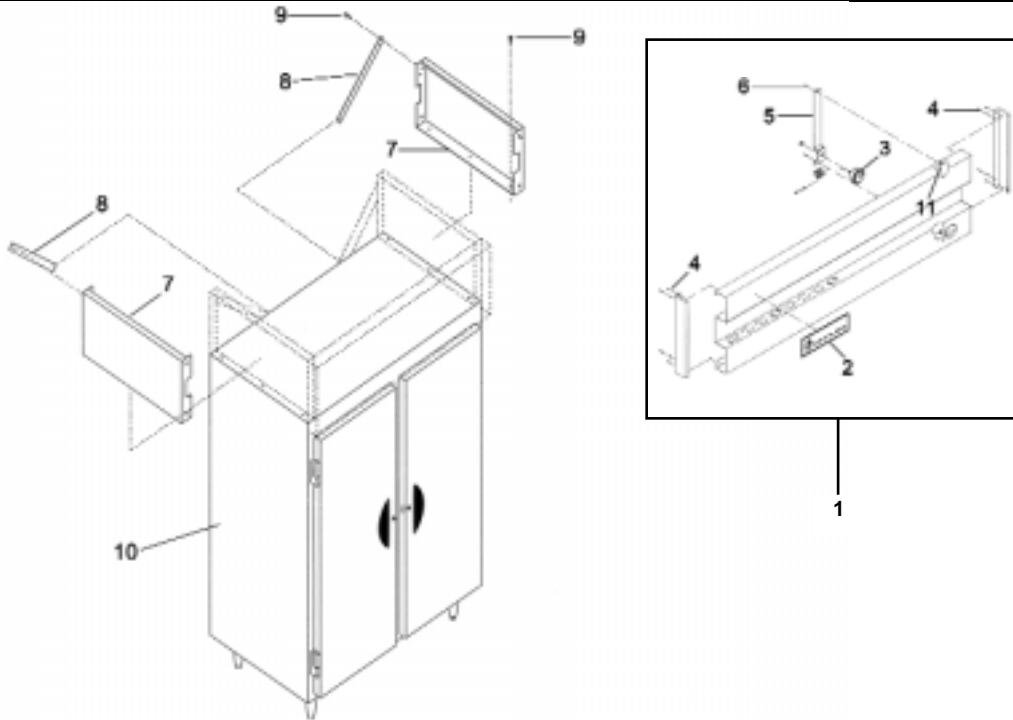
Item	Description	Part Number	Quantity
1	Door Gasket, Full -* Cabinets Built Prior to 9/3/02	50827801	1 per full length door
1	Door Gasket, Full -* Cabinets Built After 9/3/02	50879501	1 per full length door
2	Lock & Key Set	50597107	1 per door
3	Ass'y, LH Full Door w/ Vision Panel & Rectangular Handle -* Prior to 9/3/02	10791107	1 per cabinet section
3	Ass'y, LH Full Door w/ Vision Panel & Coved Handle -* After 9/3/02	10818301	1 per cabinet section
3	Ass'y, RH Full Door w/ Vision Panel & Rectangular Handle -* Prior to 9/3/02	10791108	1 per cabinet section
3	Ass'y, RH Full Door w/ Vision Panel & Coved Handle -* After 9/3/02	10818302	1 per cabinet section
4	Base, Hinge	50520103	1 per hinge assembly
5	Cam, Hinge	50520106	1 per door
6	Base Screw, Hinge	50678801	3 per hinge assembly
7	Barrel, Hinge	50520102	1 per hinge assembly
8	Barrel Screw, Hinge	50678801	2 per hinge assembly
9	Cover, Hinge	50520105	1 per hinge assembly
10	Shim, Door	05312701	*available upon request
11	Hinge Assembly, Top or Bottom	10685101	2 per door

(*NOTE: WARRANTY DOES NOT COVER GLASS BREAKAGE! THE GLASS PANEL IS NOT SERVICEABLE. ENTIRE DOOR MUST BE REPLACED.)

Vision panel door is interchangeable with standard solid door. Door is left / right reversible by inverting hinge mounting.

****Vision panel door is intended for operation in maximum 85° F, 55% RH environment for refrigerated case (38° F) applications only!***

Thermometer & Grill



Item	Description	Part Number	Quantity
1	Grill Assembly w/o Thermometer, 1 Section Refrigerator	10809204	1 per one section refrigerator unit
1	Grill Assembly w/o Thermometer, 2 Section Refrigerator	10809205	1 per two section refrigerator unit
1	Grill Assembly w/o Thermometer, 3 Section Refrigerator	10809206	1 per three section refrigerator unit
1	Grill Assembly w/o Thermometer, 1 Section Freezer	10809207	1 per one section freezer unit
1	Grill Assembly w/o Thermometer, 2 Section Freezer	10809208	1 per two section freezer unit
1	Grill Assembly w/o Thermometer, 3 Section Freezer	10809209	1 per three section freezer unit
2	"Victory" Logo -* for Cabinets Built Prior to 9/9/02	50853501	1 per all refrigerator or freezer units
2	"Victory" Logo, Refrigerator - * for Cabinets Built After 9/9/02	50883201	1 per all refrigerator units
2	"Victory" Logo, Freezer - * for Cabinets Built After 9/9/02	50883301	1 per all freezer units
3	Thermometer, Refrigerator Dial	50827403	1 per all refrigerator units
3	Thermometer, Freezer Dial	50827404	1 per all freezer units
3	Thermometer, Refrigerator & Freezer	N/A	1 per all refrigerator or freezer units
4	Screw	50267901	4 per all refrigerator or freezer units
5	Bracket, Dial Thermometer Mounting	05315501	1 per all refrigerator or freezer units
6	Screw, Thumb	50684201	1 per all refrigerator or freezer units
7	Upper Case End	05315601	2 per all refrigerator or freezer units
8	Brace, Upper Case End	05315701	2 per all refrigerator or freezer units
9	Screw	50692301	4 per Upper Case End Brace
10	End Panel, Field Replacement	01333320	2 per all refrigerator or freezer units
11	Nut	50081701	2 per all refrigerator or freezer units

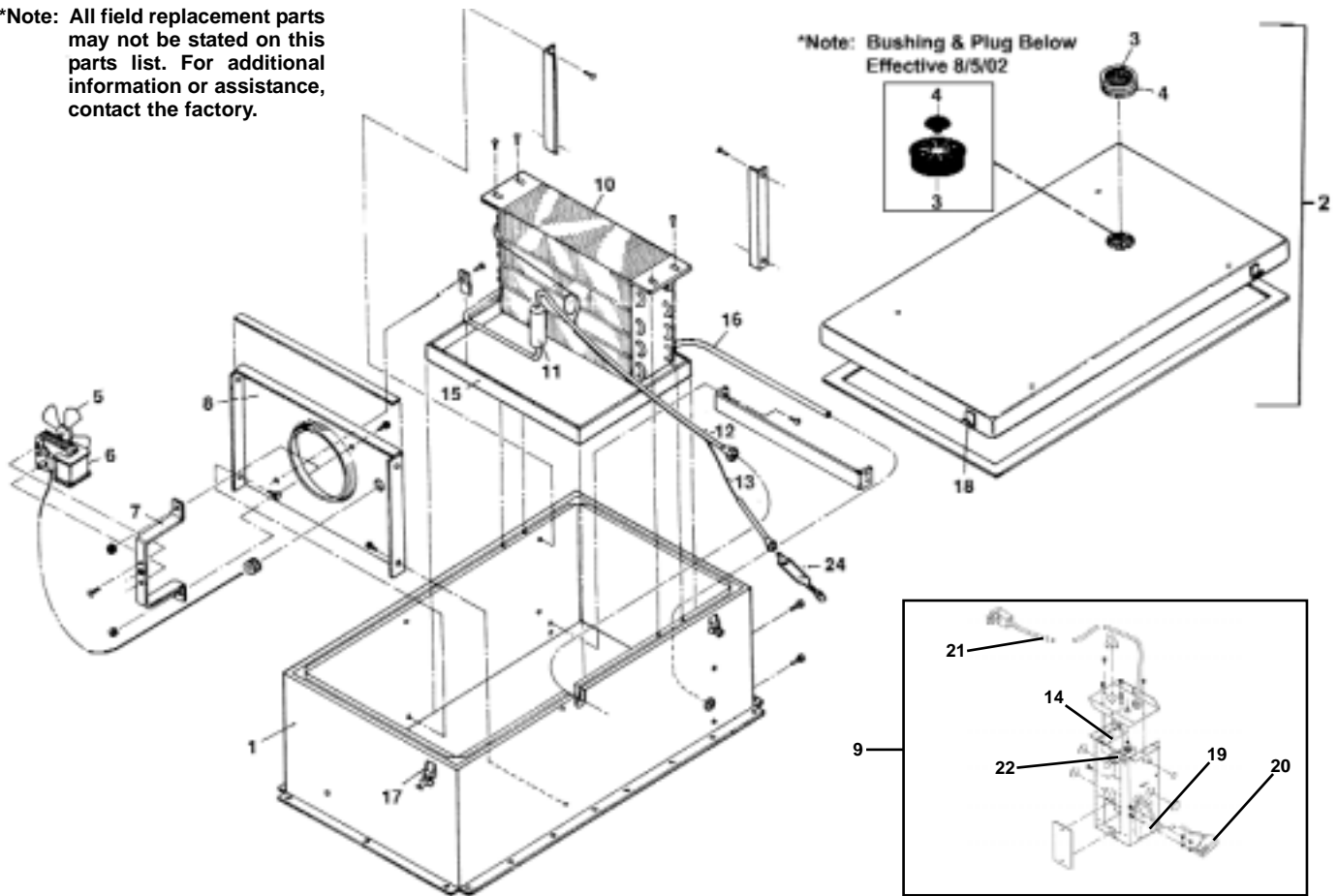
Shelving & Accessories

Item No.	Number of Sections						Part No.	Description
	One Section	Two Section		Three Section				
		Section 1	Section 2	Section 1	Section 2	Section 3		
1	X	X	X	X	X	X	03221003	Aluminum Pilaster 9/32" Deep x 54-1/2" Long
1	X	X	X	X	X	X	03221004	Stainless Steel 9/32" Deep x 54-1/2" Long
2	X	X	X	X	X	X	50022501	Shelf Support Clip
2	X	X	X	X	X	X	50022601	Stainless Steel Shelf Support Clip
3	50597703	50597803	50597803	50597803	50597903	50597803		Stainless Steel Shelves
3	50597706	50597806	50597806	50597806	50597906	50597806		Epoxy Coated Shelves
							50828401	Nylon Inserts
							50828901	Tapping Screws

*Note: All field replacement parts may not be stated on this parts list. For additional information or assistance, contact the factory.

One Section Refrigerator Components

*Note: All field replacement parts may not be stated on this parts list. For additional information or assistance, contact the factory.

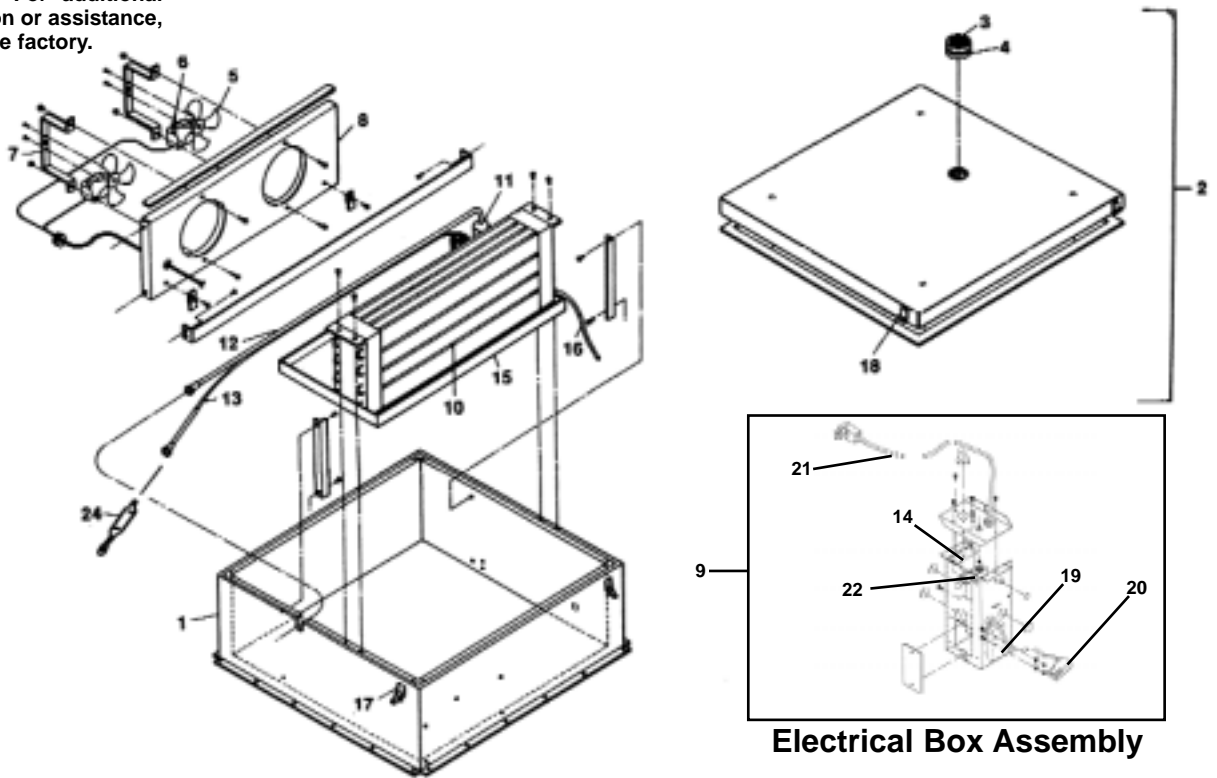


Electrical Box Assembly

Item	Description	Part Number	Quantity
1	Evaporator Housing Assembly	10534201	1
2	Evaporator Housing Assembly Cover	10534102	1
3	Screen, Vent - * for Cabinets Built Prior to 8/5/02	50177401	1
3	Bushing, Snap - * for Cabinets Built After 8/5/02	50880201	1
4	Vent, Breather - * for Cabinets Built Prior to 8/5/02	50097901	1
4	Bumper, Rubber - * for Cabinets Built After 8/5/02	50240301	1
5	Fan Blade, Evaporator	50598001	1
6	Fan Motor, Evaporator	50639801	1
7	Bracket, Evaporator Fan Motor	04415201	1
8	Fan Panel	04404803	1
9	Electrical Box Assembly	10806901	1
10	Coil, Evaporator	50617101	1
11	Accumulator	50180701	1
12	Heat Exchanger	10776901	1
13	Capillary Tube	50199002	1
14	Temperature Control	50616201	1
15	Drain Pan, Evaporator	10511103	1
16	Drain Line	50245001	1
17	Latch, Lock	50554302	4
18	Latch, Strike Hook	50554303	4
19	Terminal Board, 1 to 4	50684401	1
20	Cordset, Heater and Light	50836801	1
21	Harness, Cord and Plug 115v/15A	50828201	1
22	Harness, Condenser Unit Receptacle	50819901	1
23	Drain Pan, Condensate (not shown)	50876101	1
24	Liquid Line Dryer	50730801	1
25	Fan Motor, Condenser (not shown)	50193101	1

Two & Three Section Refrigerator Components

*Note: All field replacement parts may not be stated on this parts list. For additional information or assistance, contact the factory.

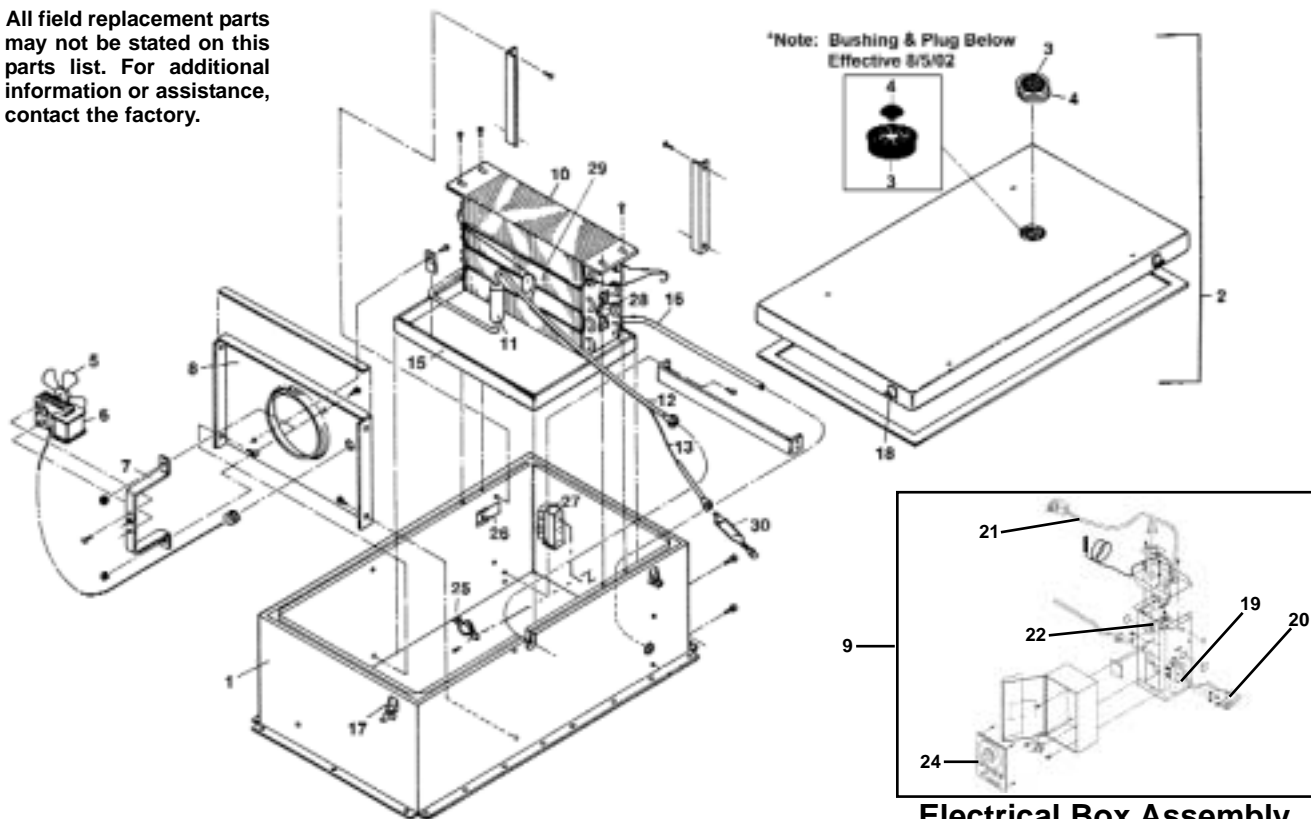


Electrical Box Assembly

Item	Description	Part Number	Quantity
1	Evaporator Housing Assembly	10536801	1
2	Evaporator Housing Assembly Cover	10536902	1
3	Screen, Vent - * for Cabinets Built Prior to 8/5/02	50177401	1
3	Bushing, Snap - * for Cabinets Built After 8/5/02	50880201	1
4	Vent, Breather - * for Cabinets Built Prior to 8/5/02	50097901	1
4	Bumper, Rubber - * for Cabinets Built After 8/5/02	50240301	1
5	Fan Blade, Evaporator	50598001	2
6	Fan Motor, Evaporator	50639801	2
7	Bracket, Evaporator Fan Motor	04415201	2
8	Fan Panel	04403702	1
9	Electrical Box Assembly, Two Section	10806901	1
9	Electrical Box Assembly, Three Section	10807001	1
10	Coil, Evaporator	50616801	1
11	Accumulator (for Two Section)	50293701	1
11	Accumulator (for Three Section)	50184101	1
12	Heat Exchanger (for Two Section)	10548601	1
12	Heat Exchanger (for Three Section)	10596201	1
13	Capillary Tube (for Two Section)	50197601	2
13	Capillary Tube (for Three Section)	50199001	2
14	Temperature Control	50616201	1
15	Drain Pan, Evaporator	10511104	1
16	Drain Line	50245001	1
17	Latch, Lock	50554302	4
18	Latch, Strike Hook	50554303	4
19	Terminal Board, 1 to 4	50684401	1
20	Cordset, Heater and Light	50836801	1
21	Harness, Cord and Plug 115v/15A, Two Section	50828201	1
21	Harness, Cord and Plug 115v/20A, Three Section	50828202	1
22	Harness, Condenser Unit Receptacle	50819901	1
23	Drain Pan, Condensate (not shown; for two section refrigerator only)	50876101	1
24	Liquid Line Dryer	50730801	1
25	Fan Motor, Condenser (not shown; for two section refrigerator only)	50193101	1

One Section Freezer Components

*Note: All field replacement parts may not be stated on this parts list. For additional information or assistance, contact the factory.

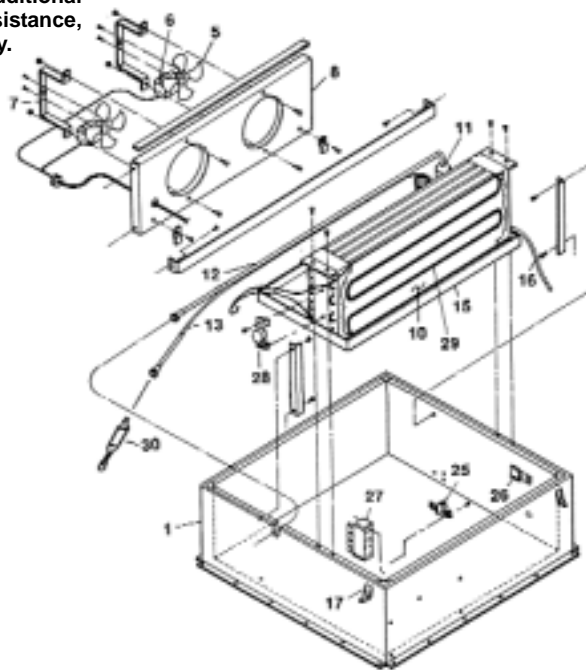


Electrical Box Assembly

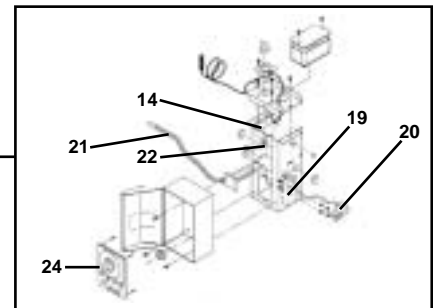
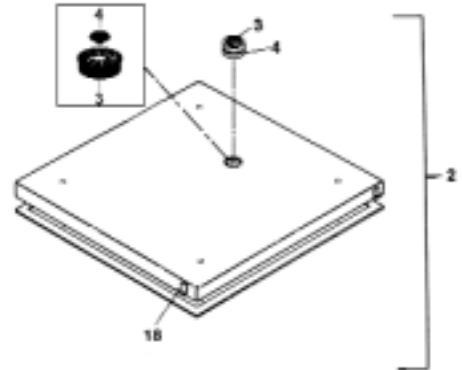
Item	Description	Part Number	Quantity
1	Evaporator Housing Assembly	10534201	1
2	Evaporator Housing Assembly Cover	10534102	1
3	Screen, Vent - * for Cabinets Built Prior to 8/5/02	50177401	1
3	Bushing, Snap - * for Cabinets Built After 8/5/02	50880201	1
4	Vent, Breather - * for Cabinets Built Prior to 8/5/02	50097901	1
4	Bumper, Rubber - * for Cabinets Built After 8/5/02	50240301	1
5	Fan Blade, Evaporator	50598001	1
6	Fan Motor, Evaporator	50639801	1
7	Bracket, Evaporator Fan Motor	04415201	1
8	Fan Panel	04404803	1
9	Electrical Box Assembly	10806301	1
10	Coil, Evaporator	50617201	1
11	Accumulator	50180701	1
12	Heat Exchanger	10723101	1
13	Capillary Tube	50793601	2
14	Temperature Control	50616101	1
15	Drain Pan, Evaporator	10511103	1
16	Drain Line	50245001	1
17	Latch, Lock	50554302	4
18	Latch, Strike Hook	50554303	4
19	Terminal Board, 1 to 4	50684401	1
20	Cordset, Heater and Light	50836801	1
21	Harness, Cord and Plug 115v/15A	50828201	1
22	Harness, Condenser Unit Receptacle	50837101	1
23	Drain Pan, Condensate (not shown)	N/A	-
24	Defrost Timer	50197302	1
25	Heater Safety (2 wire)	50599401	1
26	Probe Bracket	50244101	1
27	Junction Block	50606001	1
28	Fan Delay (3 wire)	50599501	1
29	Defrost Heater	50620501	1
30	Liquid Line Dryer	50730801	1
31	Power Relay	50369401	1

Two & Three Section Freezer Components

*Note: All field replacement parts may not be stated on this parts list. For additional information or assistance, contact the factory.



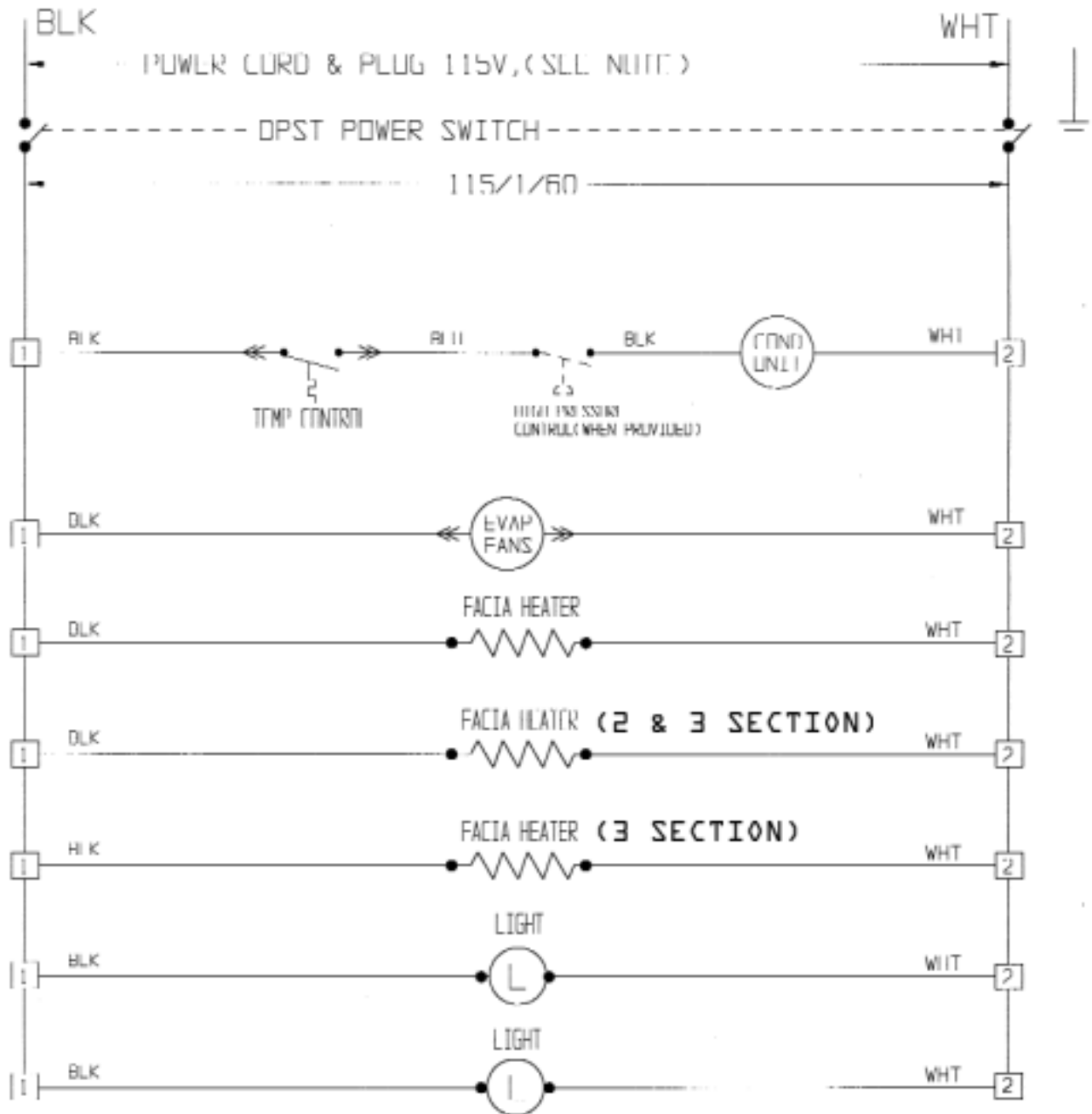
*Note: Bushing & Plug Below Effective 8/5/02



Electrical Box Assembly

Item	Description	Part Number	Quantity
1	Evaporator Housing Assembly	10536801	1
2	Evaporator Housing Assembly Cover	10536902	1
3	Screen, Vent - * for Cabinets Built Prior to 8/5/02	50177401	1
3	Bushing, Snap - * for Cabinets Built After 8/5/02	50880201	1
4	Vent, Breather - * for Cabinets Built Prior to 8/5/02	50097901	1
4	Bumper, Rubber - * for Cabinets Built After 8/5/02	50240301	1
5	Fan Blade, Evaporator	50598001	2
6	Fan Motor, Evaporator	50639801	2
7	Bracket, Evaporator Fan Motor	04415201	2
8	Fan Panel	04403702	1
9	Electrical Box Assembly (refer to "Electrical Assembly with Figure 6-5)	10806301	1
9	Electrical Box Assembly, Three Section	10806401	1
10	Coil, Evaporator	50616901	1
11	Accumulator	50181401	1
12	Heat Exchanger, Two Section	10738401	1
12	Heat Exchanger, Three Section	10768601	1
13	Capillary Tube	50198902	2
13	Capillary Tube	50793501	2
14	Temperature Control	50616101	1
15	Drain Pan, Evaporator	10511104	1
16	Drain Line	50245001	1
17	Latch, Lock	50554302	4
18	Latch, Strike Hook	50554303	4
19	Terminal Board, 1 to 4	50684401	1
20	Cordset, Heater and Light	50836801	1
21	Harness, Cord and Plug 115v/15A	50828201	1
22	Harness, Condenser Unit Receptacle	50837101	1
23	Drain Pan, Condensate (not shown)	N/A	-
24	Defrost Timer	50197302	1
25	Heater Safety (2 wire)	50599401	1
26	Probe Bracket	50244101	1
27	Junction Block	50606001	1
28	Fan Delay (3 wire)	50599501	1
29	Defrost Heater	50596301	1
30	Liquid Line Dryer	50730801	1
31	Power Relay	50369401	1


1, 2 & 3 Section Refrigerator Wiring Diagram



POWER CORD & PLUG NOTE:

MODEL:

VR-1	15 AMP	NEMA 5-15P
VR-2	15 AMP	NEMA 5-15P
VR-3	15 AMP	NEMA 5-15P

 REPRESENTS CONNECTION AT TERMINAL BLOCK



Victory Refrigeration Inc
110 Woodcrest Road
Cherry Hill, NJ 08003-3648
Tel: (856) 428-4200
Fax: (856) 428-7299
Web: www.victory-refrig.com
E-mail: service@victory-refrig.com
or
parts@victory-refrig.com