

# Unit Information

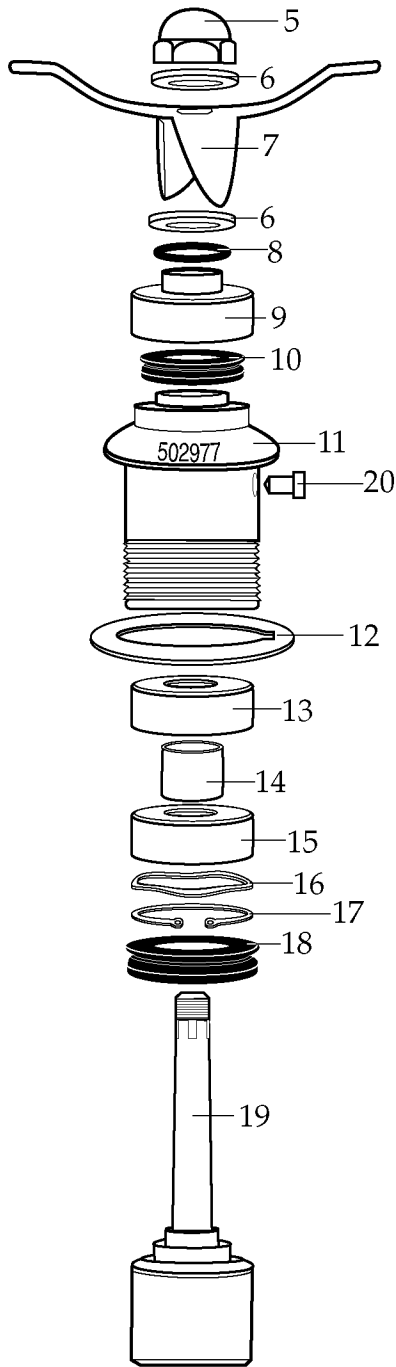
Container Does Not Come with A Lid or Lid Gasket.

Container Has Sealed Chamber with Two Ports, Allowing Cool Water or Other Coolants to be Circulated Around the Blending Assembly, Dissipating the Heat Build-up in the Blending Assembly During Prolonged Blending.

# WARING COMMERCIAL®

## 2610C

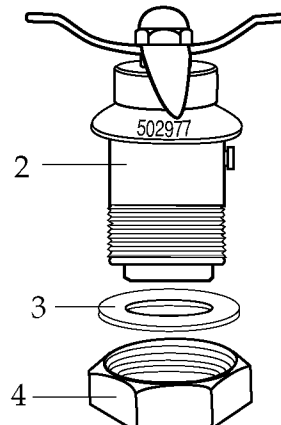
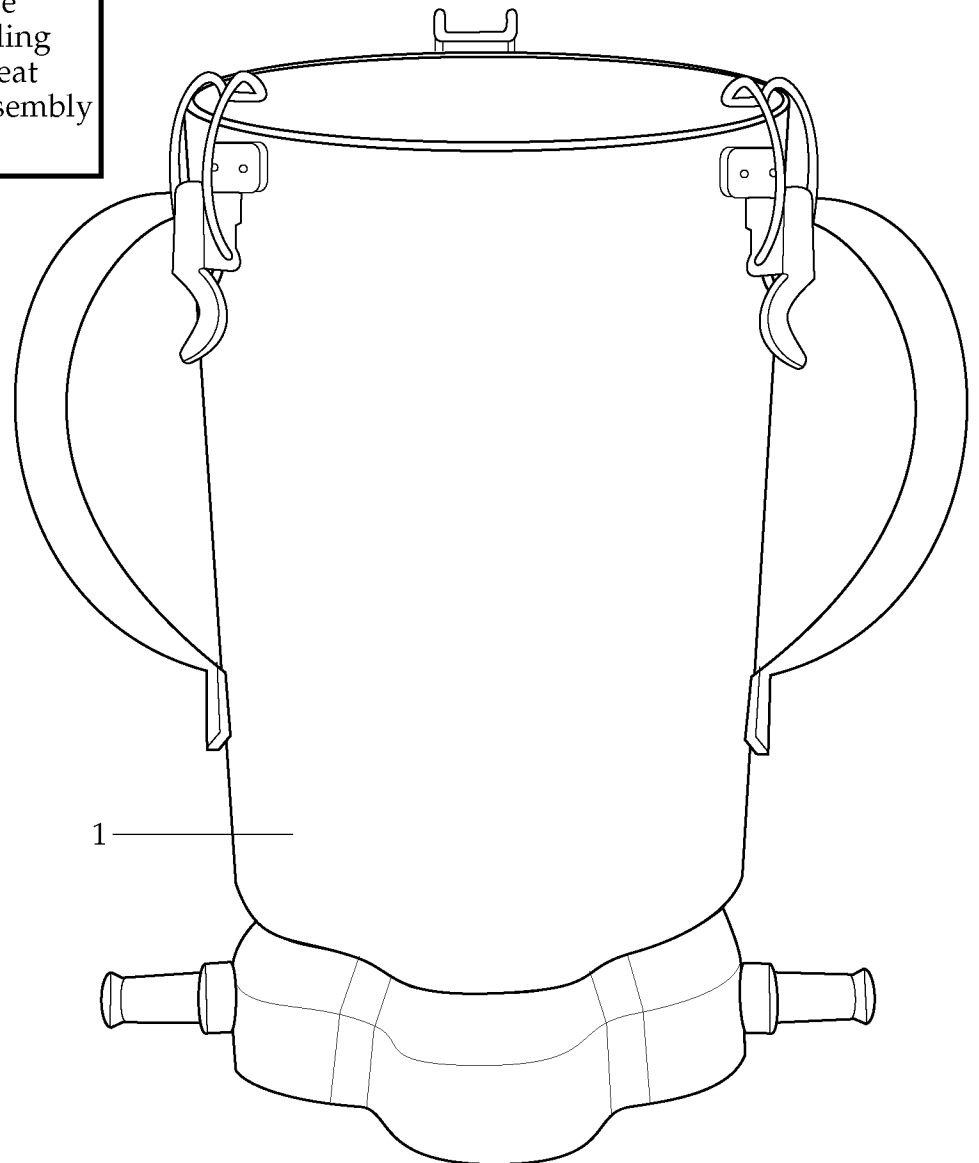
4 Liter Cool Base Container



**502977**

Blending Assembly

(replaces 502493, 501838 & 502975)



**001388**

Container Complete with Blending Assy.

<b>Illustration#</b>	<b>Part#</b>	<b>Description</b>
1	004628	Base & Nipple Assy.
2	502977	Blending Assy.
3	002974	Washer /teflon
4	004627	Hex Nut
5	002972	Cap Nut
6	027581	Washer /flat
7	027683	Blade
8	018389	"O" Ring
9	027582	Bearing Cap
10	018390	"V" Ring /small
11	023934	Bearing Holder
12	018386	Bearing
13	023926	Spacer
14	023907	Spring Washer
15	023927	Retaining Ring
16	023906	"V" Ring /large
17	023933	Drive Shaft
18	025817	Key
19	004946	Washer /teflon