

WARING
COMMERCIAL

2610F

1 Gallon Foam Arrestor

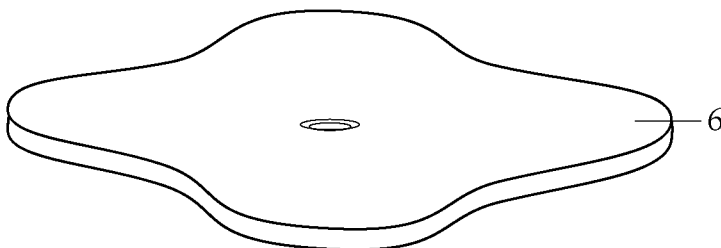
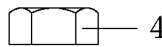
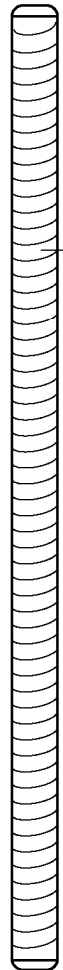
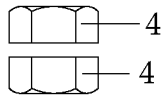
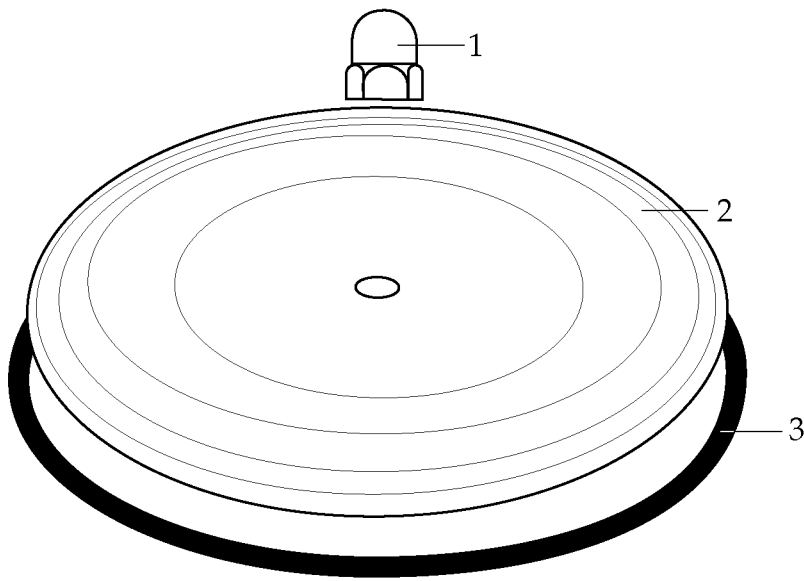


Illustration #	Part #	Description
1	011035	Cap Nut
2	004179	Container Cover
3	017442	Lid Gasket
4	002901	Hex Nut 4 Req.'d
5	002415	Threaded Rod
6	002416	Baffle

