



Unit Information

Model	Watts	Out Put Slices Per Hour	Plug Type
CTS1000 CTS10006	1800	450	
CTS1000CND	1500	450	

2" Opening Accommodates Thick Bread and Bagels
5 Minute Heat Up Time

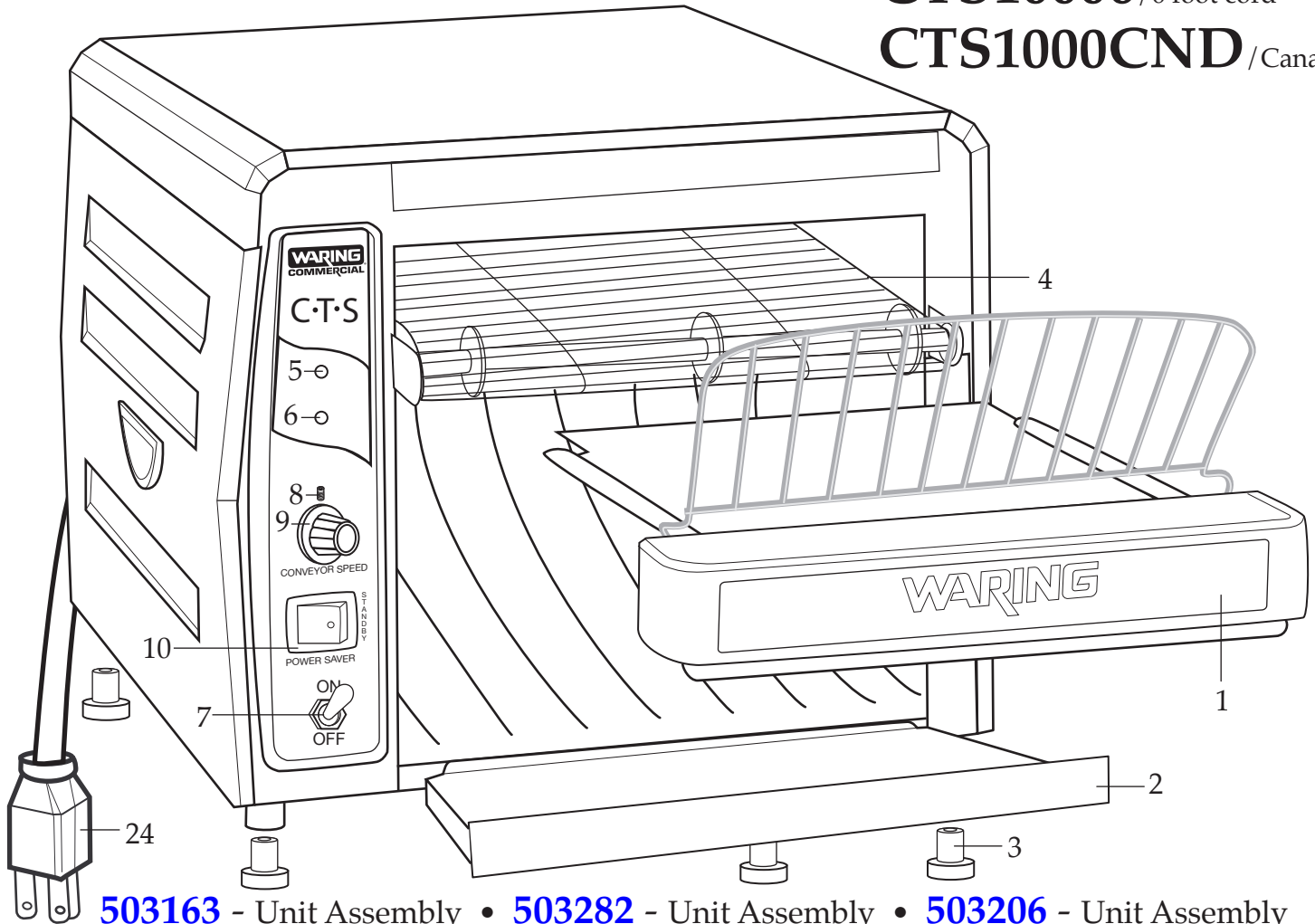
WARING COMMERCIAL®

Conveyor Toaster

CTS1000 / 3.5 foot cord

CTS10006 / 6 foot cord

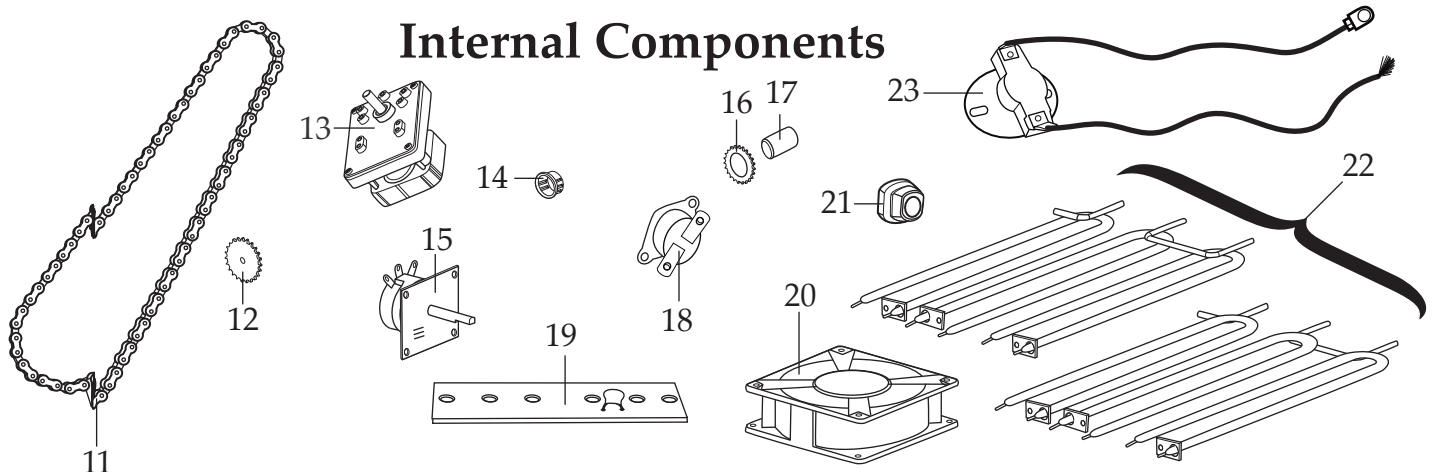
CTS1000CND / Canada



503163 - Unit Assembly • **503282** - Unit Assembly • **503206** - Unit Assembly
CTS1000 CTS10006 CTS1000CND

(in 2012 the configuration on the front panel changed)

Internal Components



Catalog/Model

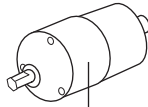
CTS1000
 CTS10006
 CTS1000CND

Waring Factory Service Center
 314 Ella T. Grasso Ave.
 Torrington, CT 06790
 Tele. 1-800-269-6640
 Fax 860-496-9017
 www.waringproducts.com




Illustration #	Part #	Description
1	028863	Crumb Tray
2	032930 028864	Toaster Drawer <i>(on units after 1/5/2012)</i> Toaster Drawer
3	028865	Foot (4 required)
4	029683	Conveyor Belt
5	029684	Red LED Cover
6	029685	Green LED Cover
7	029769	On/Off Toggle Switch
8	029235	Set Screw
9	029105	Conveyor Speed Knob
10	029768	Standby Rocker Switch
11	032721 029688	Chain / 62 pitch <i>(on units after 3/30/2009)</i> Chain / 68 pitch
12	032719	Motor Sprocket <i>(on units after 3/30/2009)</i>
13	032779	AC Motor <i>(on units after 3/30/2009)</i>
14	029691	Nylon Clamp Bushing
15	032720	VR PCB Assembly
16	029694	Conveyor Sprocket
17	029695	Space Tube (2 required)
18	029772	Thermo Switch
19	029697	Power Connection PCB Assembly
20	029773	Fan Assembly
21	029700	Cable Clamp (strain relief)
22	029774 035128	Heater Set (upper & lower) <i>(Replaceable starting with a date code of October 2011)</i> CTS1000CND Heater Set (upper & lower) <i>(Replaceable starting with a date code of October 2011)</i>
23	035126	Thermostat with Leads <i>(for heater on units after 6/2013)</i>
24	029847 029799 029848	CTS1000 Cord CTS10006 Cord CTS1000CND Cord

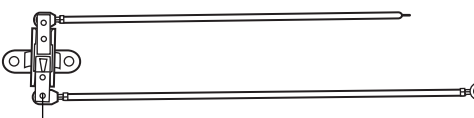
Parts No Longer Used



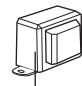
029770 - Motor / DC
(on units before 3/30/2009)



029689 - Motor Sprocket / large
(on units before 3/30/2009)



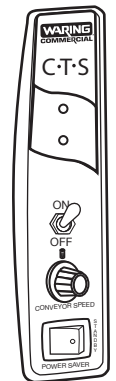
030208 - Temperature Sensor with Leads
(on units before 6/2013)



029771 - Transformer
(on units before 3/30/2009)



029692 - Main PCB Assembly
no longer available



(old front panel configuration)