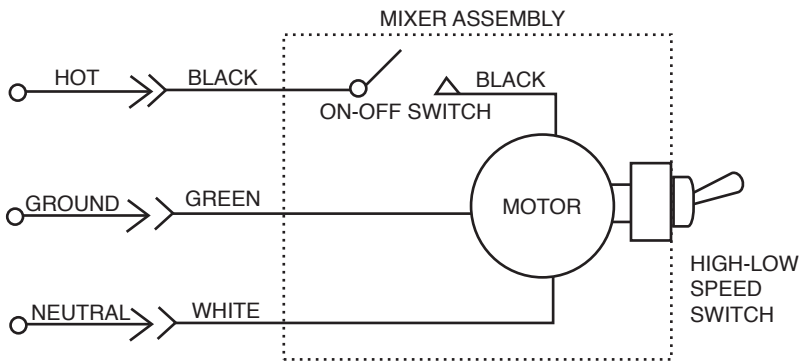


WARING COMMERCIAL®

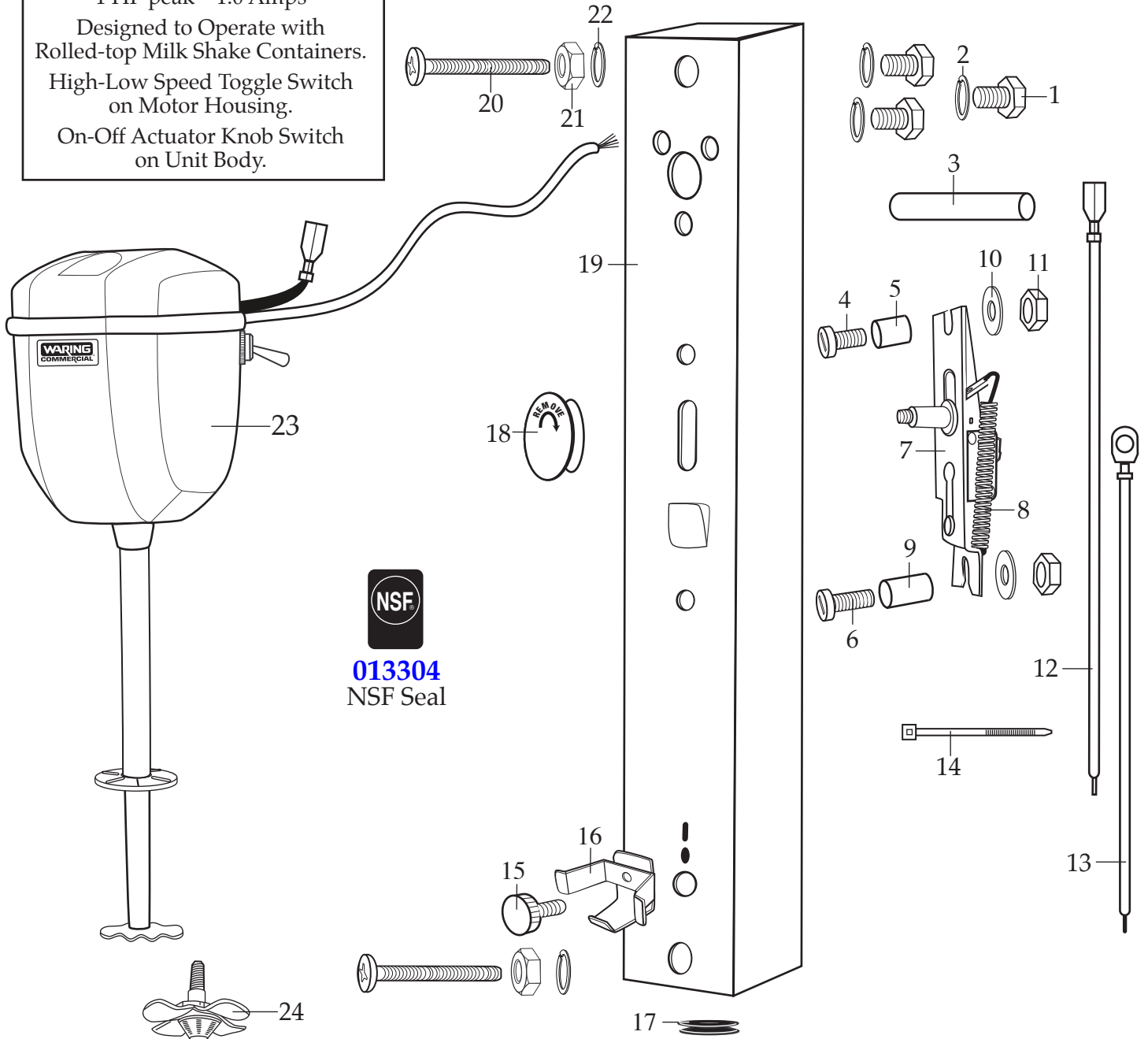
Wall Mount Drink Mixers
with Chrome Head

DMC180DCA
DMC180DCAGR
Grainger



Unit Information

1 HP peak – 1.0 Amps
Designed to Operate with
Rolled-top Milk Shake Containers.
High-Low Speed Toggle Switch
on Motor Housing.
On-Off Actuator Knob Switch
on Unit Body.



Catalog/Model

DMC180DCA
DMC180DCAGR



Illustration#	Part#	Description
1	032418	Bolt (3 required)
2	029273	Washer (3 required)
3	032419	Sleeve
4	032420	Screw
5	016182	Short Spacer
6	016179	Screw
7	030318	Switch
8	029275	Return Switch Spring
9	016181	Long Spacer
10	032421	Washer (2 required)
11	032422	Hex Nut (2 required)
12	032423	Black Lead
13	032424	Green Lead
14	013731	Wire Tie (2 required)
15	013918	Container Support Screw
16	015551	Container Support
17	032425	Lead Protector (hardware)
18	030319	Knob (screw on)
19	501496	Body
20	016183 027399	DMC180DCA Mounting Hardware Screw (2 required) DMC180DCAGR Mounting Hardware Screw (2 required)
21	016189	Mounting Hardware Hex Nut (2 required)
22	029273	Mounting Hardware Washer (2 required)
23	029289	Chrome Motor Head (comes with 029290 disk agitator & 029291 screw)
24	029292	Butterfly Agitator