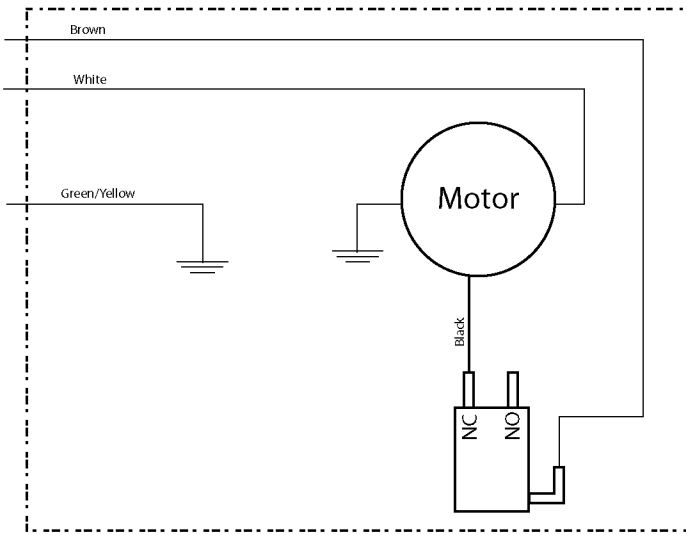




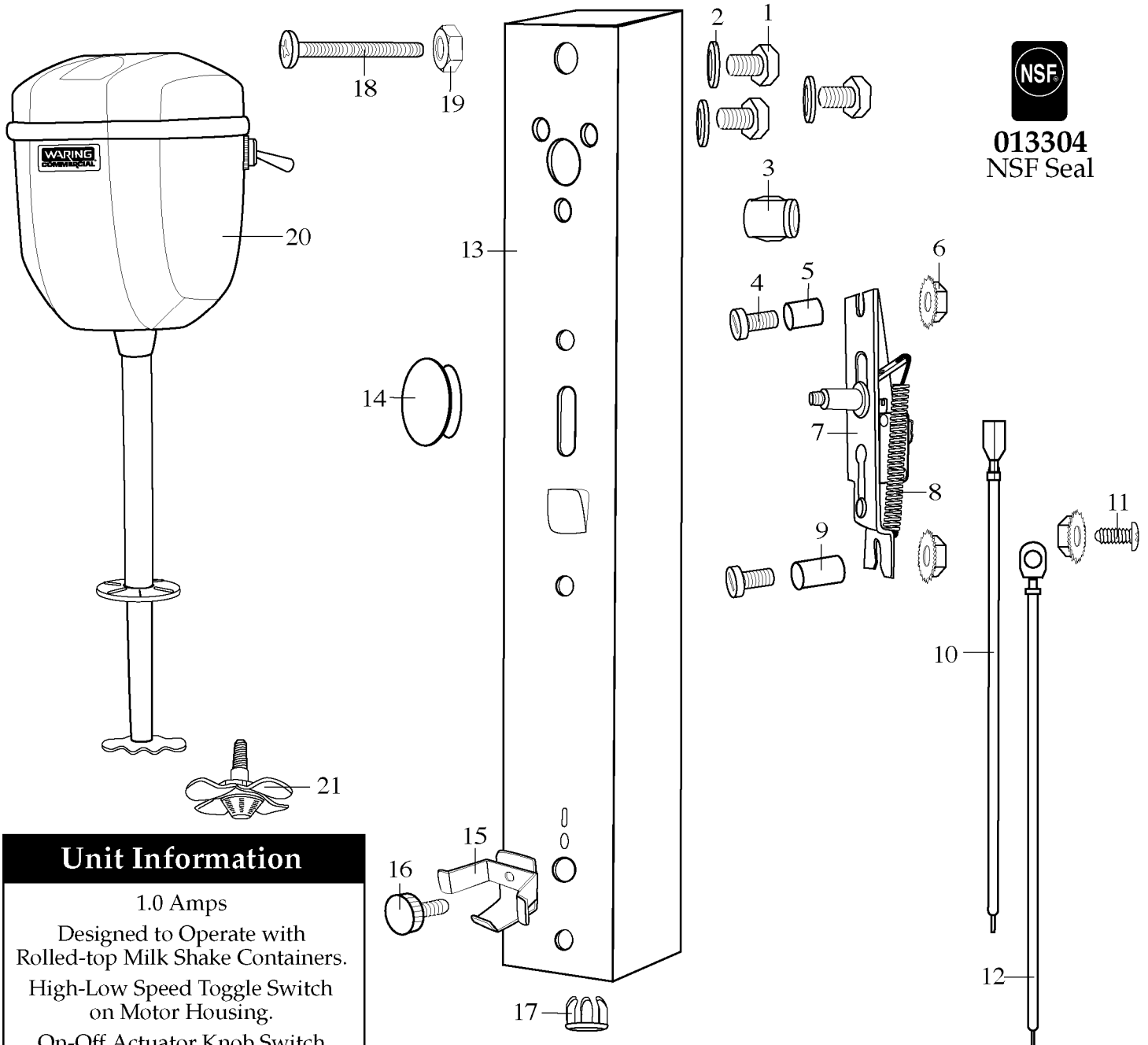
DMC180DC /Wall Mount with Chrome Head and Extra Butterfly Agitator

DMC180GDC /Grindmaster Wall Mount with Chrome Head

DMC180GMDC /Grindmaster Wall Mount with Chrome Head and Extra Butterfly Agitator



Wiring Diagram



013304
NSF Seal

Unit Information

1.0 Amps
 Designed to Operate with Rolled-top Milk Shake Containers.
 High-Low Speed Toggle Switch on Motor Housing.
 On-Off Actuator Knob Switch on Unit Body.

Catalog	Model
DMC180DC	32DM32
DMC180GDC	32DM32
DMC180GMDC	32DM32



Illustration#	Part#	Description
1	017930	Screw 3 Req.'d
2	003344	Washer 6 Req.'d
3	027940	Bushing /open-closed 2 Req.'d /DMC180DC, DMC180GDC
	015644	Snap Bushing 2 Req.'d /DMC180GMDC
4	016179	Screw 2 Req.'d
5	016182	Spacer /short
6	002881	Kep Nut 3 Req.'d
7	502335	Switch
8	013612	Return Switch Spring
9	016181	Spacer /long
10	501497	Lead /brown
11	027278	Screw /ground
12	501867	Lead /green
13	501496	Body /DMC180DC, DMC180GDC
	502572	Body /DMC180GMDC
14	026720	Snap On Knob /black
15	015551	Container Support
16	013918	Container Support Screw
17	015444	Hole Plug /DMC180DC, DMC180GDC
18	016183	Screw 2 Req.'d /DMC180DC
	027399	Screw 2 Req.'d /DMC180GDC
	024585	Screw 2 Req.'d /DMC180GMDC
19	016189	Hex Nut 2 Req.'d
20	027691	Motor (head) /chrome
21	500669	Agitator /butterfly

DMC180GMDC Item Not Shown

017408 - Screw