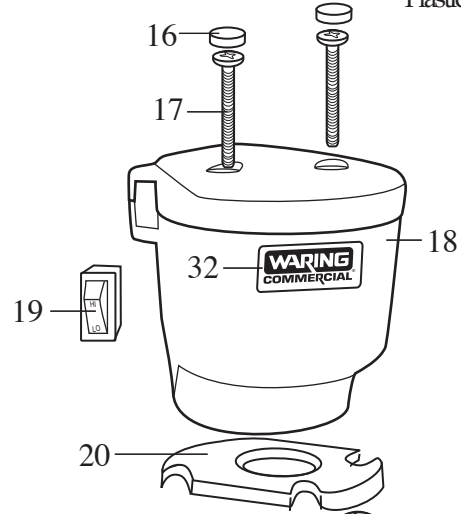
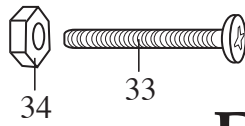
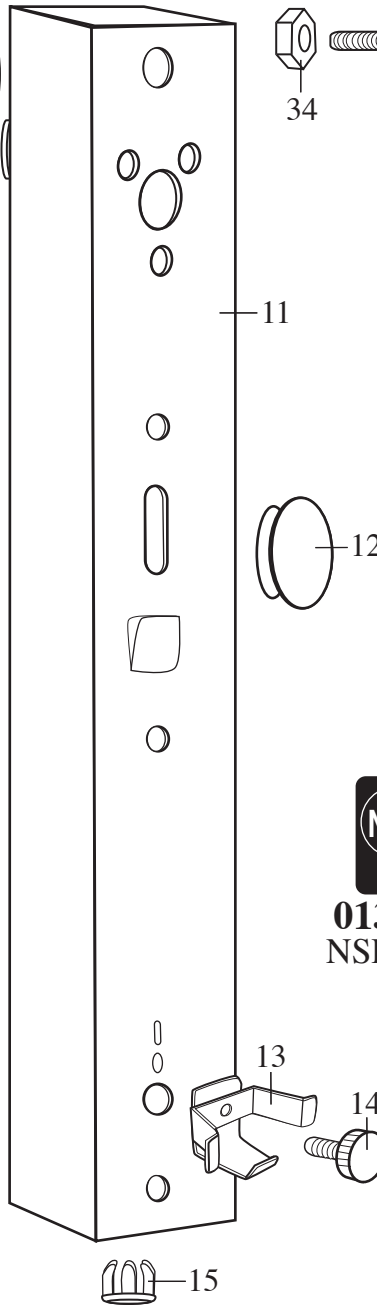
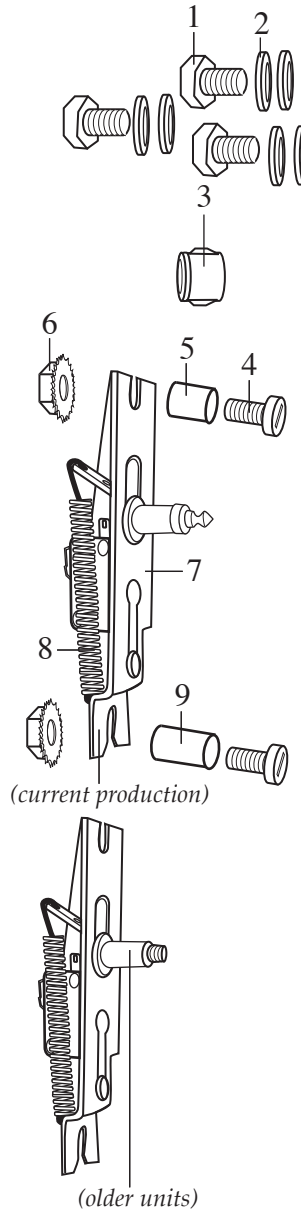
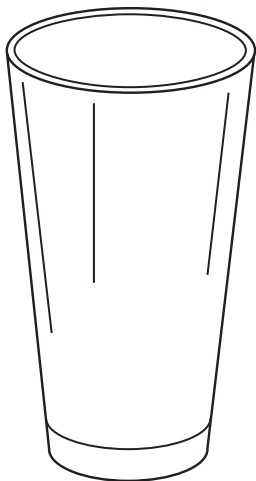
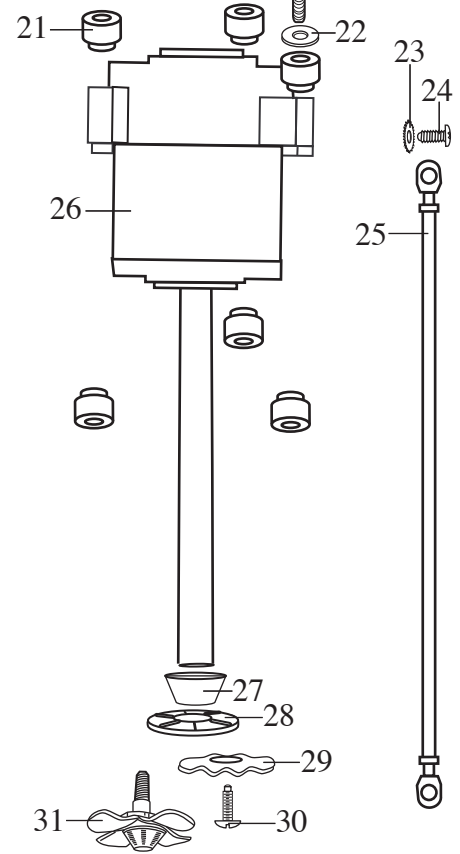


WARING
COMMERCIAL

DMC180
DMC180G / Grindmaster
DMC180GM / DMC160 with
Plastic Head Grindmaster



013204
NSF Seal



017440 /CAC20
Container (optional)

Unit Information

1 Amp.
UL & NSF Approved
2 Speed
Agitators Included:
DMC180 & DMC180G - Solid
DMC180GM - Solid & Butterfly

502648 /DMC180
Motor & Housing Assy. w/butterfly agitator

502605 /DMC180G, DMC180GM
Motor & Housing Assy. w/solid agitator

Catalog**Model**

DMC180	32DM32 DMC180
DMC180G	32DM32 (DMC180G)
DMC180GM	32DM32 (DMC180GM)



Illustration#	Part#	Description
1	017930	Screw 3 Req.'d
2	003344	Washer 6 Req.'d
3	015644	Snap Bushing 2 Req.'d
4	016179	Screw 2 Req.'d
5	016182	Spacer /short
6	002881	Kep Nut 3 Req.'d
7	502335	Switch (<i>current production</i>)
	501356	Switch (<i>older units</i>)
8	013612	Return Switch Spring
9	016181	Spacer /long
10	501497	Lead /brown
11	501496	Body /DMC180 (<i>all</i>) or DMC180G (<i>older units</i>)
	503034	Body /DMC180G (<i>current production</i>)
	027717	Body /DMC180GM
12	026720	Snap On Knob /black (<i>current production</i>)
	501709	Knob /white (<i>older units</i>)
13	015551	Container Support
14	013918	Container Support Screw
15	015444	Hole Plug /DMC180 & DMC180G
	501867	Lead-green – 017408 Screw /DMC180GM (Items Not Shown)
16	016094	Hole Plug 2 Req.'d
17	012729	Screw 3 Req.'d
18	503162	Housing Assy, / motor cover, mounting plate & motor hsg.
19	017510	Rocker Switch
20	017508	Baffle
21	013603	Vibration Dampener 6 Req.'d
22	013604	Washer
23	002943	Washer
24	013659	Sems
25	501738	Lead /green
26	025255	ECM Motor – 025628 - Brush 2 Req.'d
27	013630	Shaft Collar
28	013654	Splash Guard Disc
29	016599	Solid Agitator
30	016384	Screw
31	500669	Agitator /butterfly
32	015526	Name Plate
33	016183	Screw 2 Req.'d /DMC180
	028030	Screw 2 Req.'d /DMC180G (<i>current production</i>)
	027399	Screw 2 Req.'d /DMC180G (<i>older units</i>)
	024585	Screw 2 Req.'d /DMC180GM
34	016189	Hex Nut 2 Req.'d