

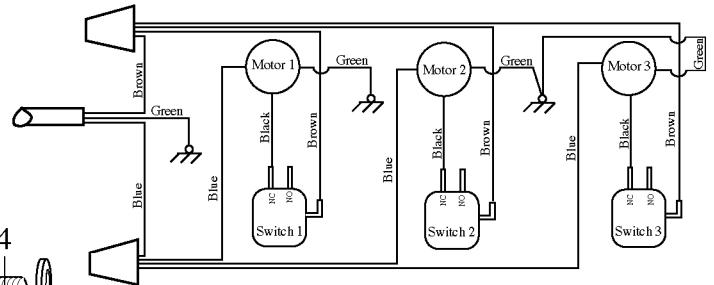
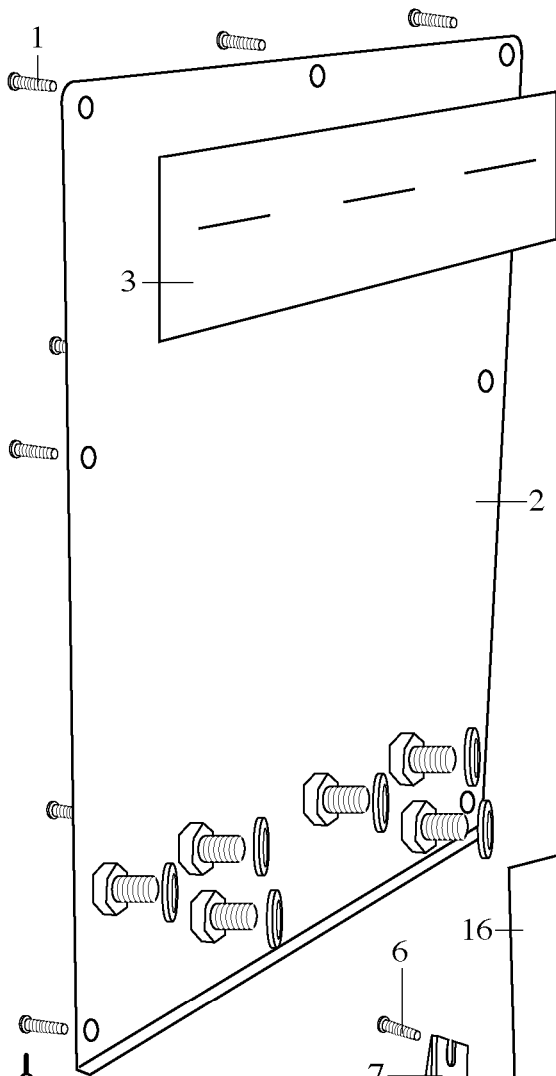
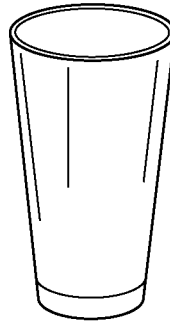
WARING COMMERCIAL

DMC200 /Chrome Triple Head

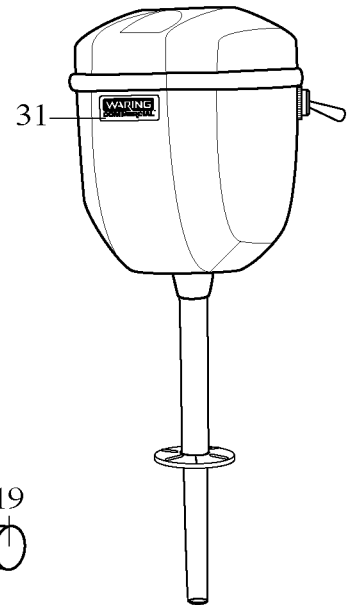
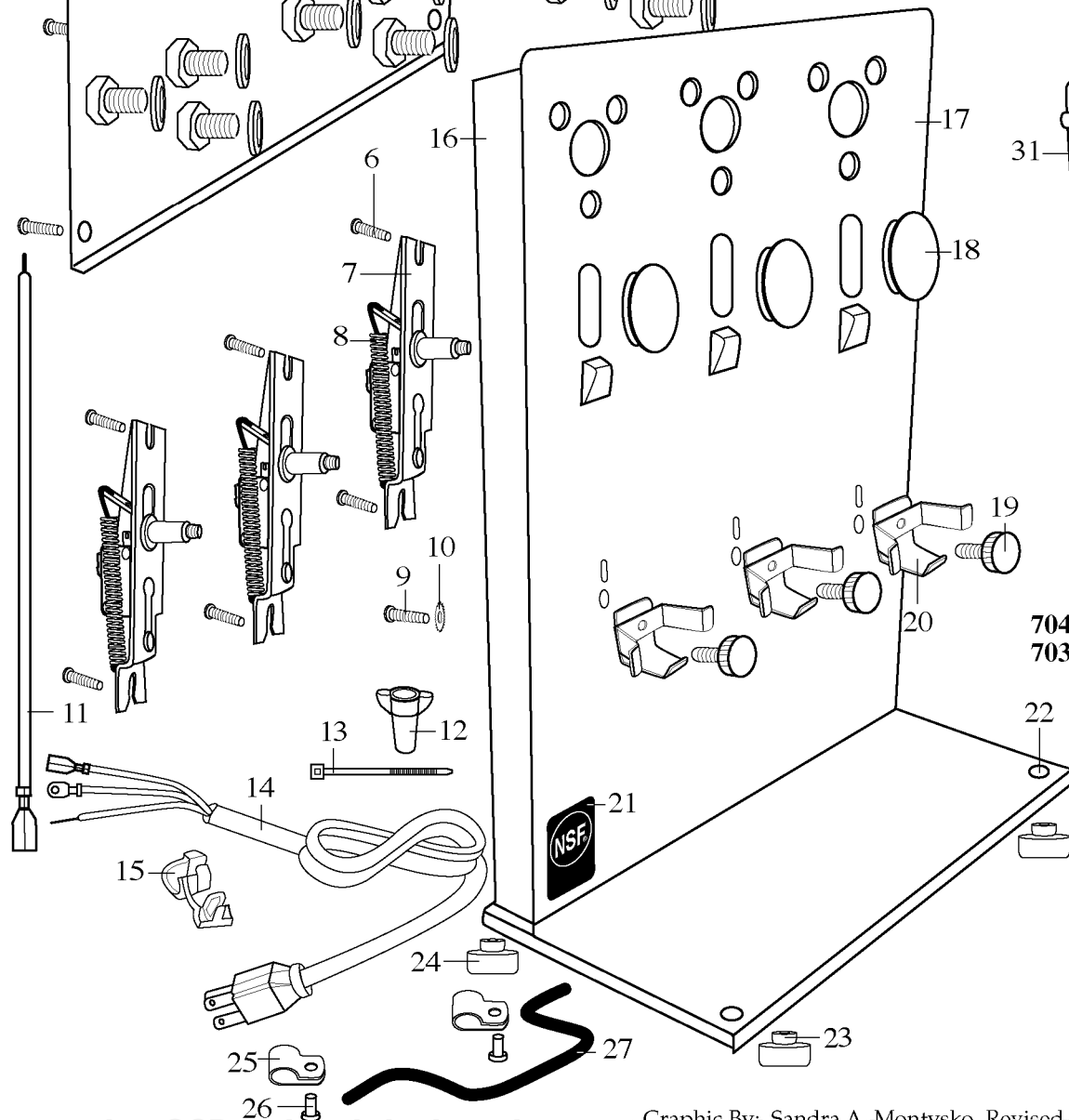
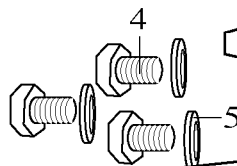
DMX200 /CSA

These Units Are No Longer In Production

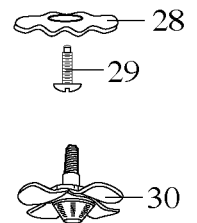
017440 /CAC20
Container (optional)



Wiring Diagram DMC200



704651 no longer available
703177 no longer available
Chrome Mixer Head
3 Req.'d



Catalog
DMC200
DMX200

Model
31DM60
31DM38 or 31DM53



| Illustration# | Part# | Description |
|----------------------|--------------|----------------------------------|
| 1 | 016562 | Screw 7 Req.'d |
| 2 | 016380 | Rear Panel |
| 3 | 016194 | Insulator |
| 4 | 015434 | Screw 9 Req.'d |
| 5 | 003344 | Washer 9 Req.'d |
| 6 | 016562 | Screw 6 Req.'d |
| 7 | 501356 | Switch Assy. 3 Req.'d |
| 8 | 013612 | Switch Return Spring 3 Req.'d |
| 9 | 016562 | Screw |
| 10 | 002943 | Washer |
| 11 | 501571 | Lead - brown 3 Req.'d |
| 12 | 016567 | Wire Nut 2 Req.'d |
| 13 | 013731 | Cable Tie |
| 14 | 501570 | Cord Set for DMC200 |
| | 501317 | Cord Set for DMX200 |
| 15 | 007556 | Strain Relief |
| 16 | 017124 | Coated Stand for DMC200 |
| | 017125 | Coated Stand for DMX200 |
| 17 | 015446 | Front Panel |
| 18 | 501709 | Knob 3 Req.'d |
| 19 | 013918 | Container Support Screw 3 Req.'d |
| 20 | 015551 | Container Support 3 Req.'d |
| 21 | 013304 | NSF Seal |
| 22 | 014980 | Stud 2 Req.'d |
| 23 | 016569 | Foot 2 Req.'d |
| 24 | 016568 | Foot 2 Req.'d |
| 25 | 013649 | Clamp 2 Req.'d |
| 26 | 015481 | Rivet 2 Req.'d |
| 27 | 014229 | Stabilizer |
| 28 | 016599 | Agitator 3 Req.'d |
| 29 | 016384 | Screw 3 Req.'d |
| 30 | 500669 | Agitator (butterfly) 3 Req.'d |
| 31 | 015526 | Name Plate 3 Req.'d |

DMX200 Items Not Shown

015483 - Lead /blue 015482 - Terminal Block
015484 - Lead /brown 016330 - Sleeve 3 Req.'d