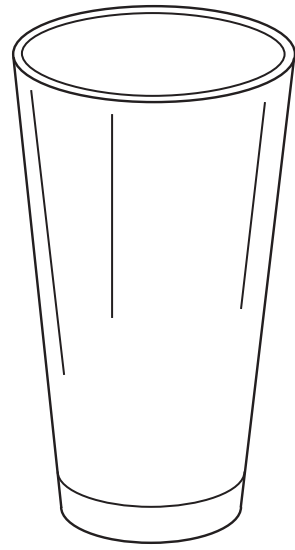
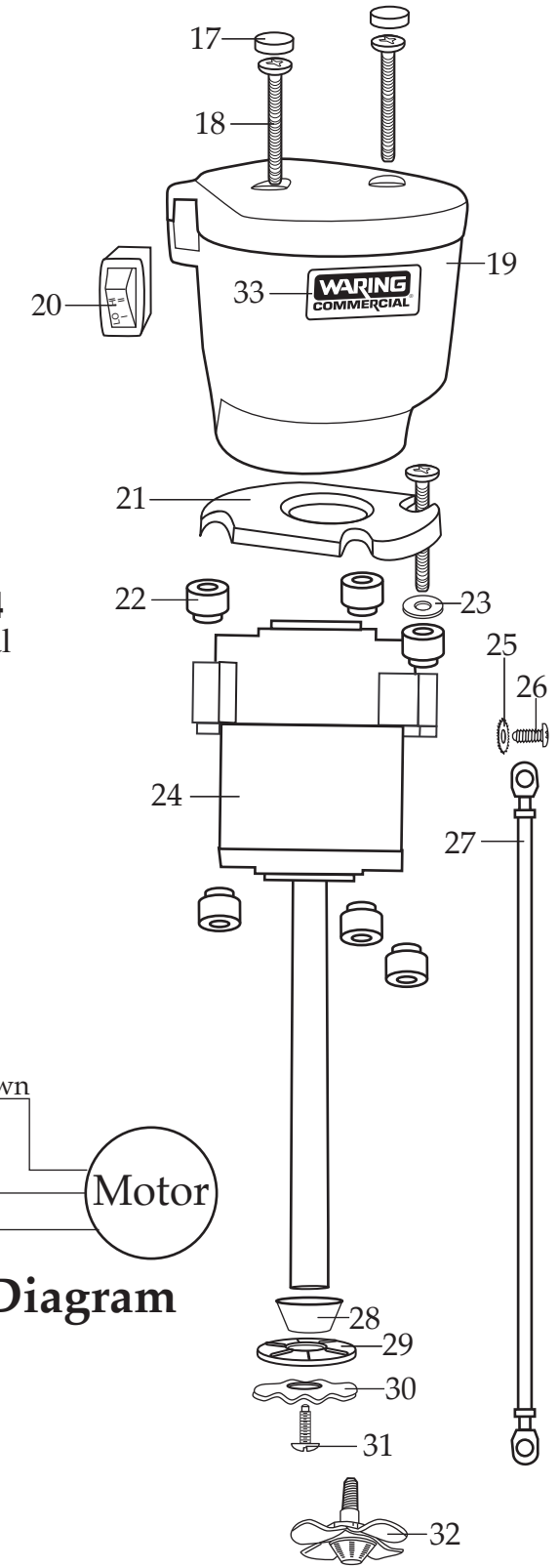
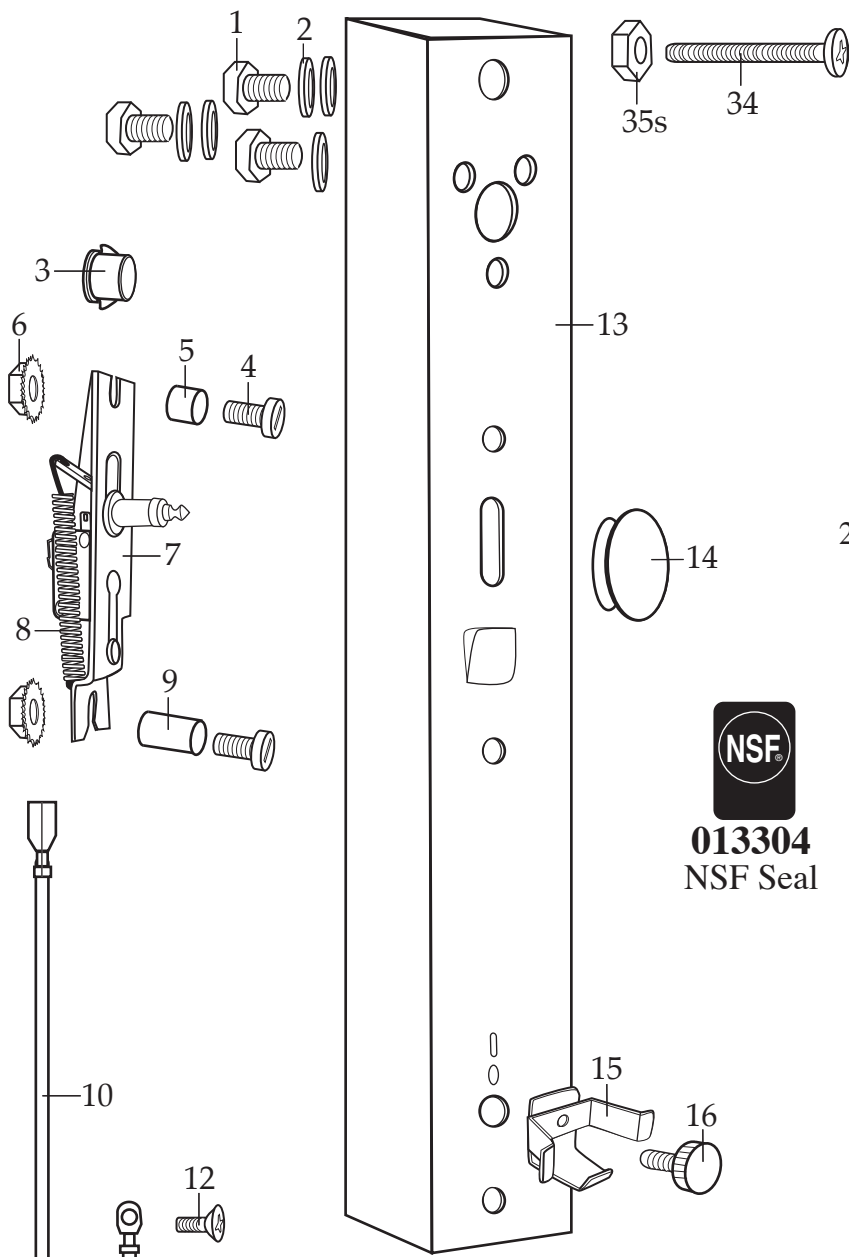
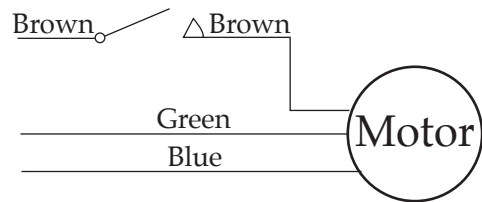




DMC280GM / Grindmaster



017440 /CAC20
Container (optional)



Wiring Diagram

502600

Motor & Housing Assy. comes w/ solid agitator

Illustration#	Part#	Description
1	017930	Screw 3 Req.'d
2	003344	Washer 5 Req.'d
3	027915 015644	Snap Shorty Bushing (<i>current production</i>) Snap Bushing (<i>older units</i>)
4	016179	Screw 2 Req.'d
5	016182	Spacer /short
6	002881	Kep Nut 3 Req.'d
7	502335	Switch /snap on knob
8	013612	Return Switch Spring
9	016181	Spacer /long
10	501497	Lead /brown
11	501867	Lead /green
12	017408	Screw
13	503021	Body
14	026720	Snap On Knob /black
15	015551	Container Support
16	013918	Container Support Screw
17	016094	Hole Plug 2 Req.'d
18	012729	Screw 3 Req.'d
19	503162	Housing Assy./motor cover, mounting plate & motor hsg.
20	018374	Rocker Switch
21	017508	Baffle
22	013603	Vibration Dampener 6 Req.'d
23	013604	Washer
24	002943	Washer
25	013659	Sems
26	501738	Lead /green
27	024369	ECM Motor
28	013630	Shaft Collar
29	013654	Splash Guard Disc
30	016599	Solid Agitator
31	016384	Screw
32	500669	Agitator /butterfly
33	015526	Name Plate
34	024585	Screw 2 Req.'d
35	016189	Hex Nut 2 Req.'d