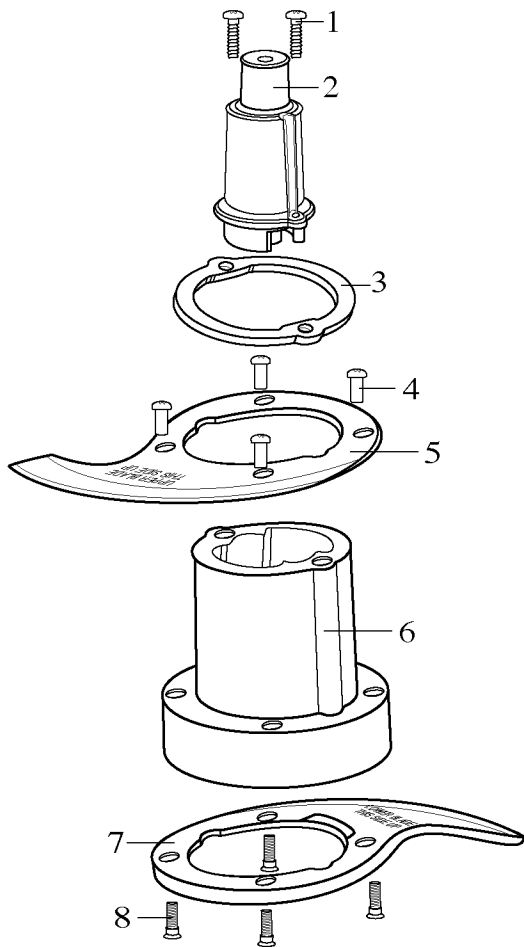
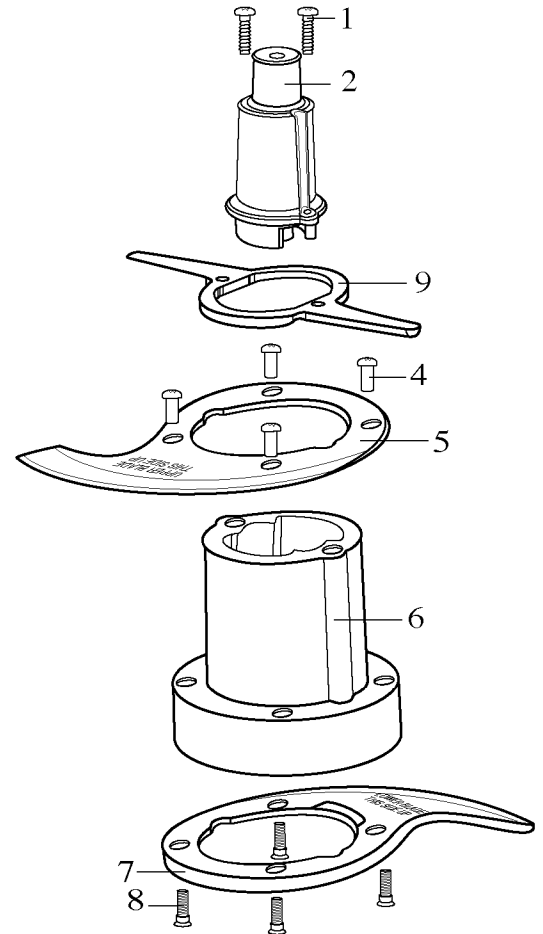


WARING COMMERCIAL® "S" Blades



502505 - CAF30
S Mixing Blade Assembly

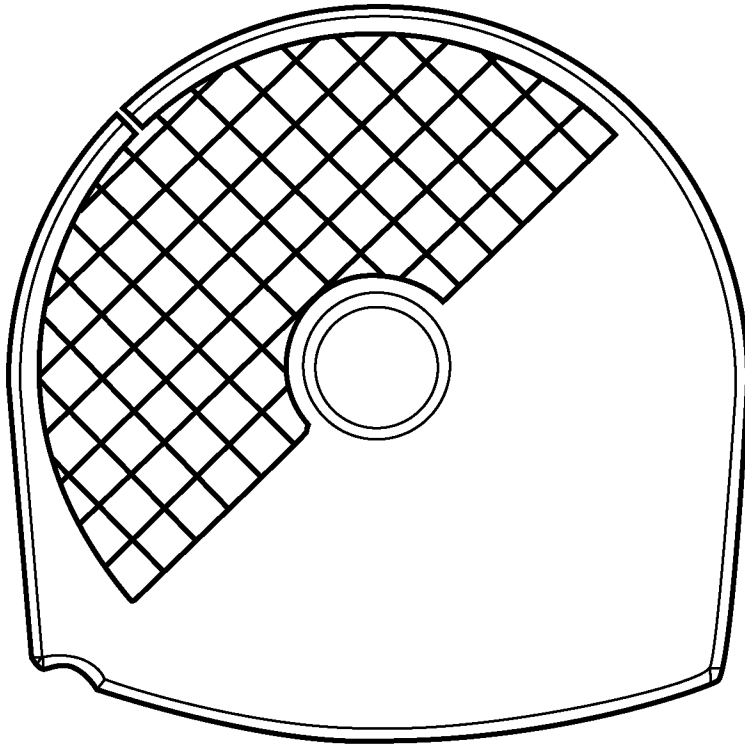


502499 - CAF31
S Blade Cutter Assembly

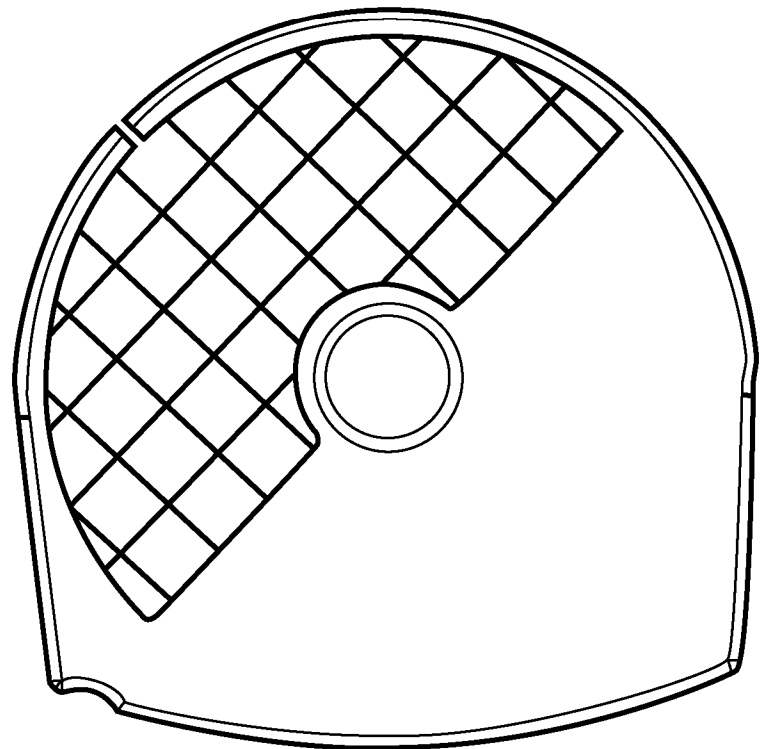
Illustration #	Part #	Description
1	024005	Screw 2 Req.'d
2	023988	Top Center Hub
3	024047	Washer
4	019984	Special Nut 4 Req.'d
5	023940	Upper "S" Blade Cutter
6	023989	Bottom Center Hub
7	019580	Lower "S" Blade Cutter
8	023029	Special Screw 4 Req.'d
9	019670	Mid Blade

WARING
COMMERCIAL[®]

FP2200
Dicing Disc

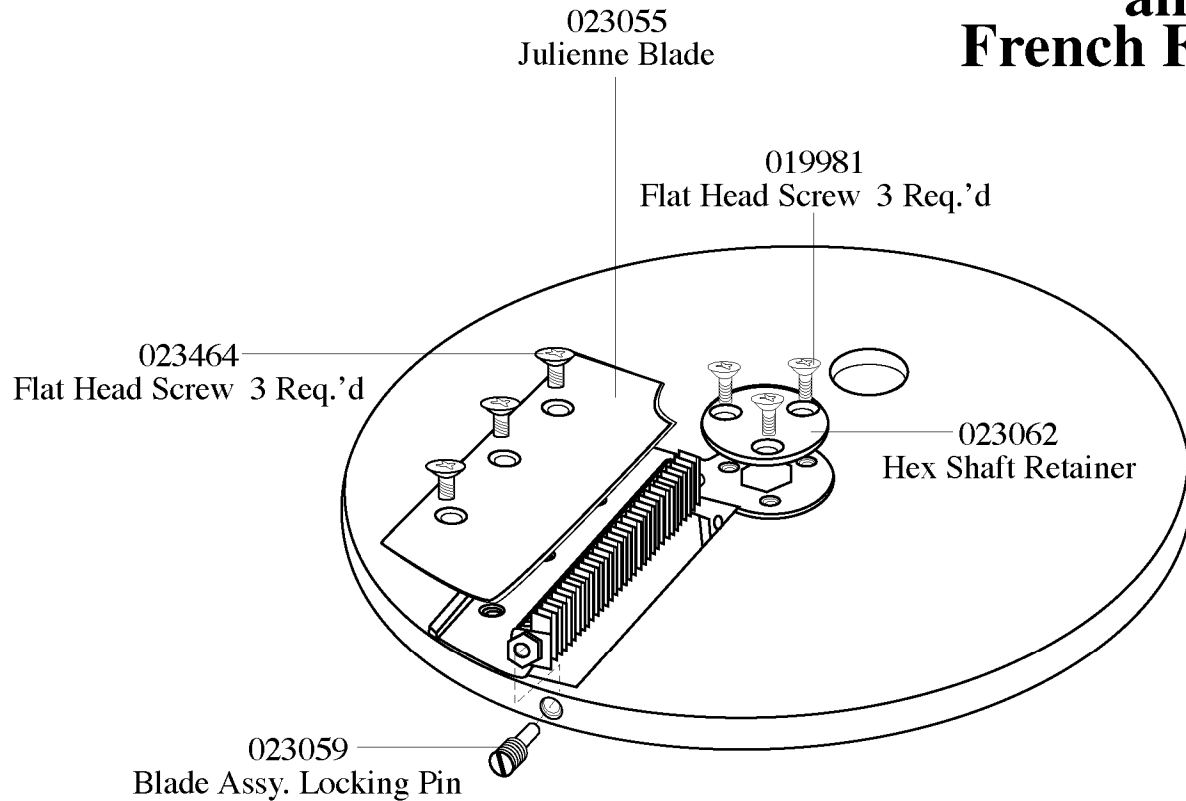


CAF24 - 024176 1/2" (12mm) Dicing Disc
(use with CAF18 Slicing Disc)



CAF25 - 024177 3/4" (18mm) Dicing Disc
(use with CAF18 Slicing Disc)

FP2200
Julienne Disc
and
French Fry Disc



Julienne

CAF26 - 024178 3/32" (2mm)

CAF27 - 024179 1/8" (3mm)

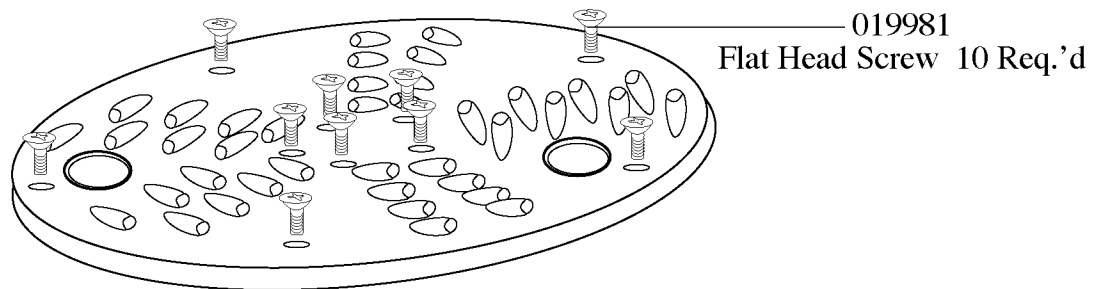
CAF28 - 024180 3/16" (5mm)

French Fry

CAF29 - 024181 3/8" (10mm)

WARING
COMMERCIAL[®]

FP2200
Shredding Disc
&
Grating Disc



Shredding

CAF19 - 024172 1/8" (3mm)

CAF20 - 502294 3/16" (5mm)

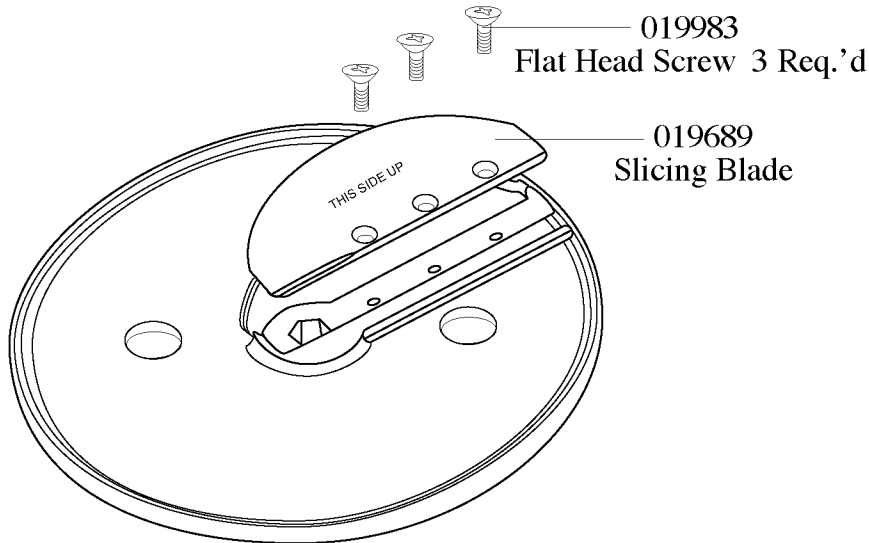
CAF21 - 024174 3/8" (10mm)

Grating

CAF22 - 024175 5/64" (2mm)

WARING
COMMERCIAL

FP2200
Slicing Disc



CAF10 - 024163 1/32" (1mm)

CAF11 - 024164 3/32" (2mm)

CAF12 - 502451 1/8" (3mm)

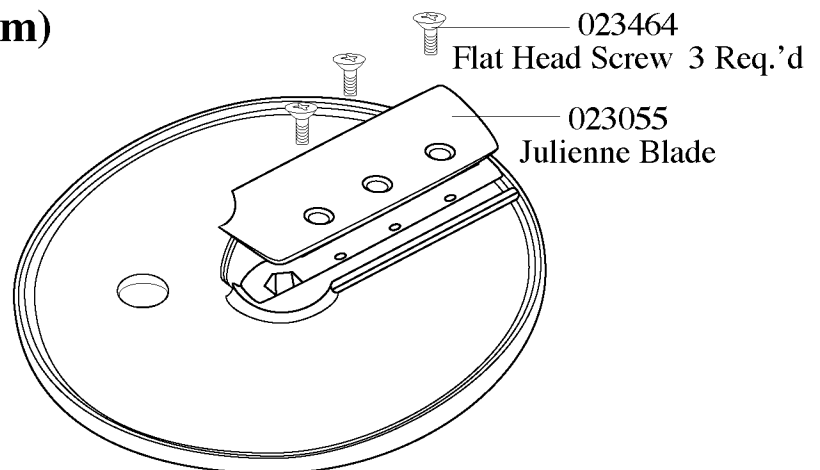
CAF13 - 024166 5/32" (4mm)

CAF14 - 024167 3/16" (5mm)

CAF15 - 024168 1/4" (6mm)

CAF16 - 024169 5/16" (8mm)

CAF17 - 024170 3/8" (10mm)



CAF18 - 024171 1/2" (12mm)