

# WARING COMMERCIAL®

Half Size Convection Oven with Rotisserie

## WCO500 WCO500C/Canada

### Plug Configuration

WCO500  
NEMA 5-15P

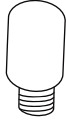
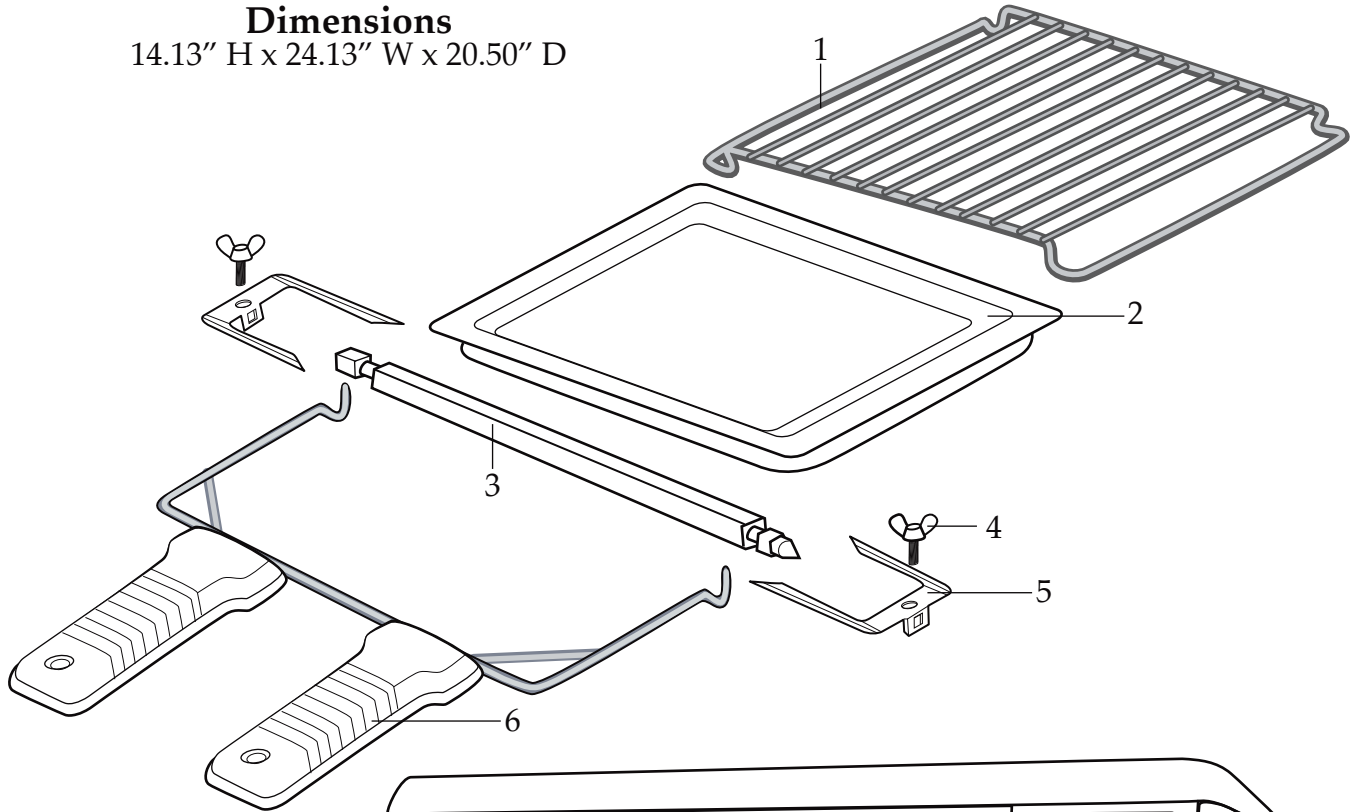


WCO500C  
NEMA 5-20P

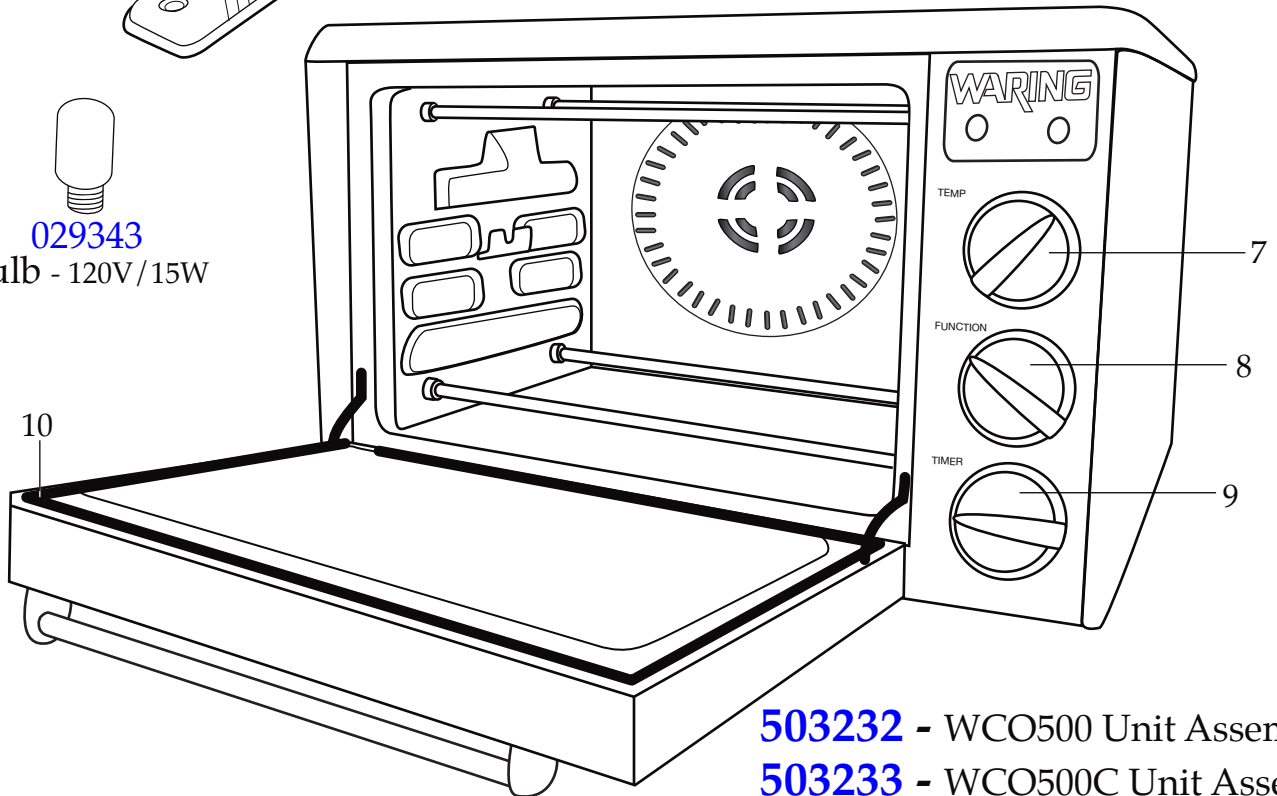


### Dimensions

14.13" H x 24.13" W x 20.50" D



**029343**  
Bulb - 120V/15W



**503232** - WCO500 Unit Assembly  
**503233** - WCO500C Unit Assembly

Catalog/Model

WCO500  
WCO500C

Waring Factory Service Center  
 314 Ella T. Grasso Ave.  
 Torrington, CT 06790  
 Tele. 1-800-269-6640  
 Fax 860-496-9017  
 www.waringproducts.com

Illustration #	Part #	Description
1	032338	Wire Rack 3 Req.'d
2	032339	Baking Tray
3	029342	Rotisserie Spit
4	029340	Skewer Thumb Screw 2 Req.'d
5	029341	Skewers /set
6	032274	Rotisserie Spit Removal Tool (hand grip)
7	029344	Temperature Knob
8	029345	Function Control Knob
9	029346	Timer Knob
10	029359	Door Gasket

### Internal Components

