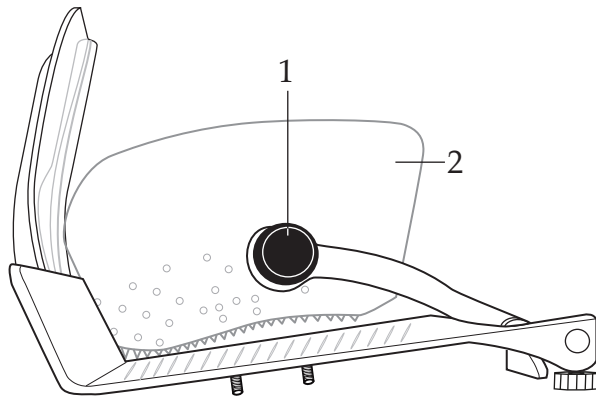


WARING
COMMERCIAL

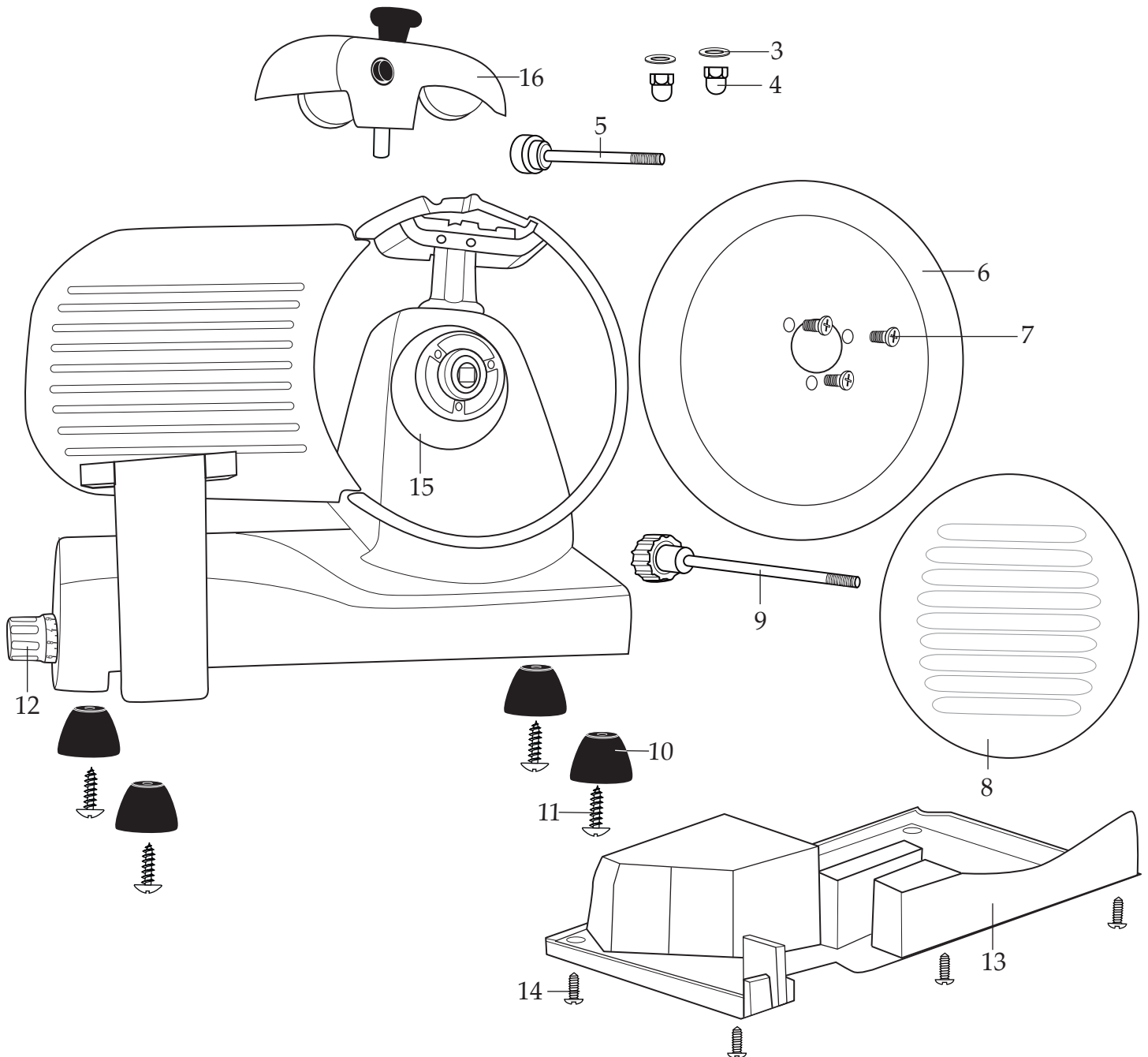
12" Blade Food Slicer
WCS300SV silver

Unit Information

120 volts – 60Hz – 115 watts
Limited 1 Year Warranty

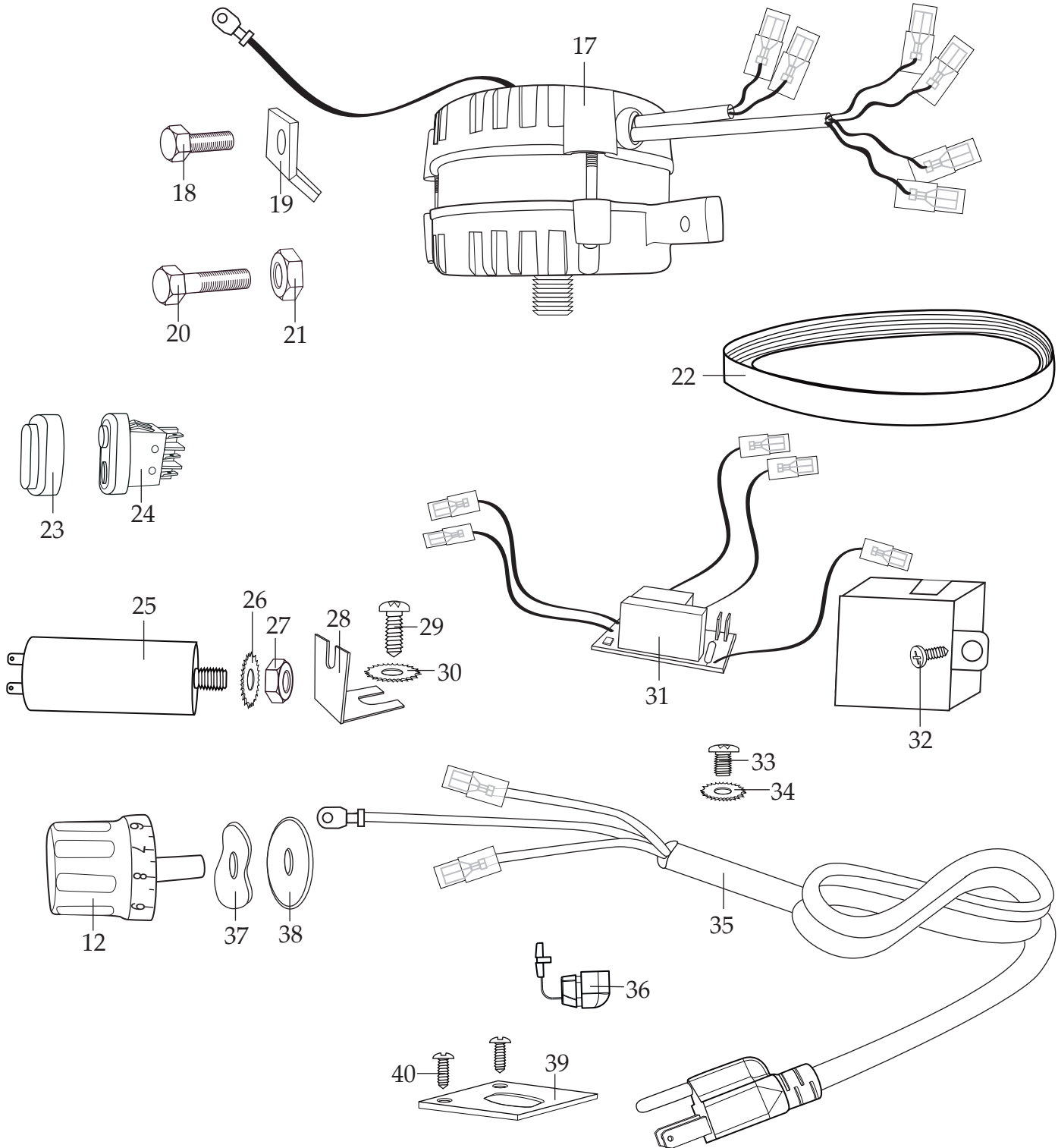


037022
Food Carriage Assembly



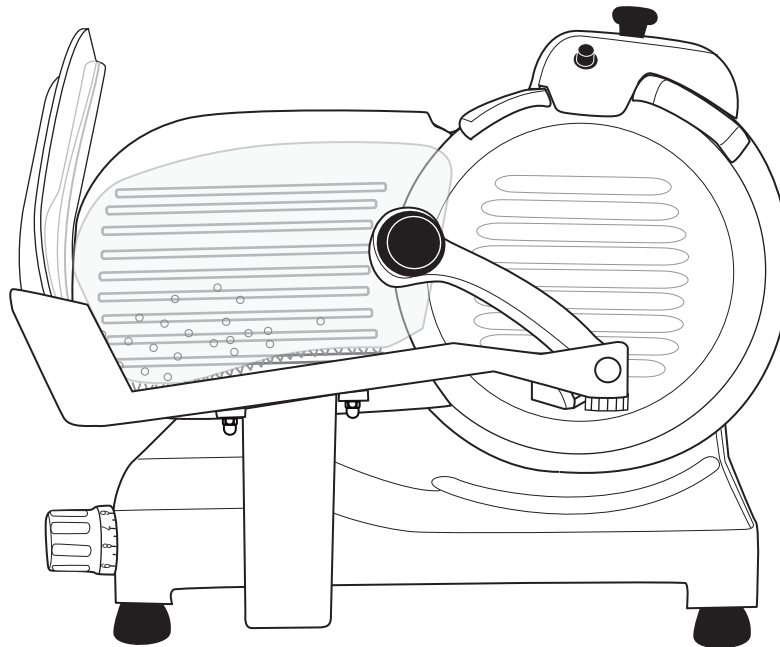
WARING COMMERCIAL

Internal Components
WCS300SV



Illustration#	Part#	Description
1	036270	Food Guide Handle
2	036269	Plastic Food Guide
3	036267	Washer (2 required)
4	036266	Cap Nut (2 required)
5	037018	Blade Sharpener Rod and Knob
6	037021	12" Blade
7	036264	Screw (3 required)
8	036261	Blade Cover
9	036262	Locking Blade Cover Knob and Rod
10	036273	Foot (4 required)
11	036274	Screw (4 required)
12	036277	Thickness Knob
13	036271	Bottom Plate
14	036272	Screw (4 required)
15	036298	Sealing Ring Cover
16	037015	Blade Sharpener Assembly
17	037023	Motor Assembly
18	036287	Short Hex Head Bolt
19	036286	Motor Bracket
20	036288	Long Hex Head Bolt
21	036289	Hex Nut
22	037024	Drive Belt
23	036276	Clear Switch Cover
24	036275	Switch
25	037019	Capacitor
26	036282	Lock Washer
27	036283	Hex Nut
28	036281	Capacitor Bracket

Illustration#	Part#	Description
29	036284	Screw
30	036282	Lock Washer
31	037026	Control Board with Box
32	036272	Screw
33	036290	Ground Screw (2 required)
34	036291	Ground Lock Washer (2 required)
35	036292	Cord
36	036293	Strain Relief
37	036278	Spring Washer (2 required)
38	037346	Washer
39	037025	Cable Lock Plate
40	036295	Screw (2 required)



[037027](#)
WCS300SV Unit