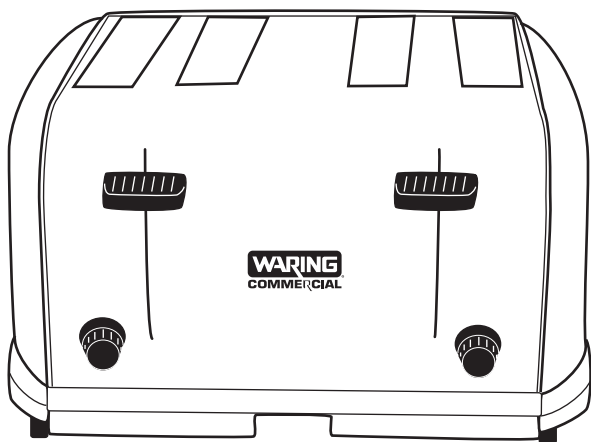




Operating and Cleaning Instructions

Operating Manual

WCT708/WCT708CND – Four-Slice Toaster



IMPORTANT SAFEGUARDS

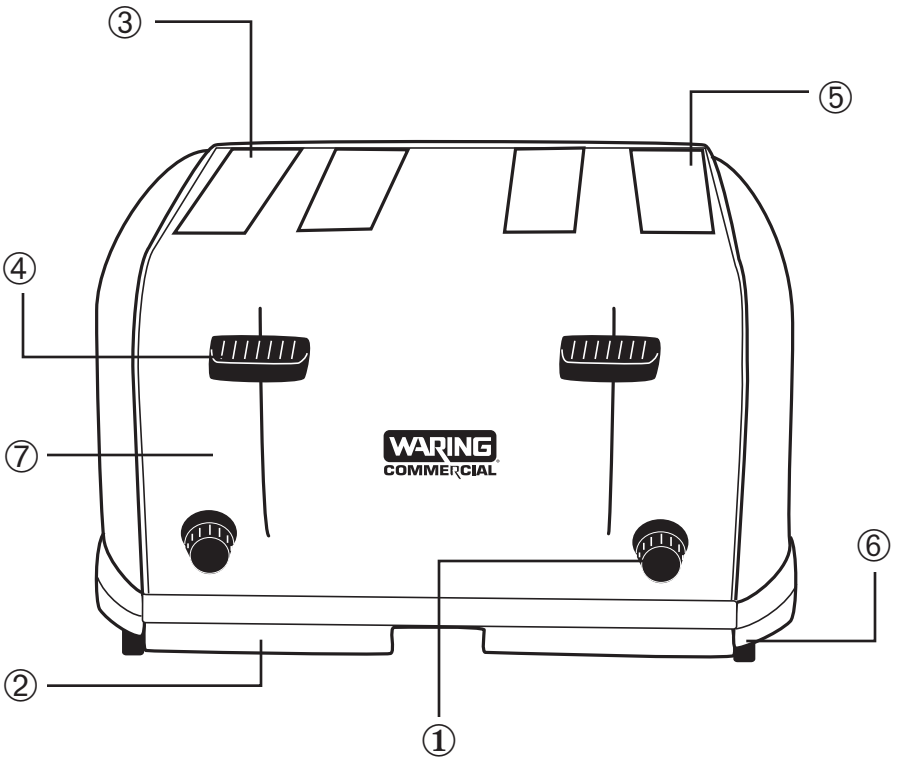
When using electrical appliances, basic safety precautions should always be taken, including the following:

1. **Read all instructions.**
2. **Do not touch hot surfaces. Use handles or knobs.**
3. To protect against risk of electrical hazards, do not immerse cord, plug, or any part of the Waring toaster in water or other liquid.
4. Close supervision is necessary when any appliance is used by or near children.
5. Unplug from outlet when not in use and before cleaning. Allow unit to cool before cleaning or handling.
6. Do not operate any appliance with a damaged cord or plug or after the appliance has been dropped or damaged in any way or if it is not operating properly. Return the toaster to the nearest Waring authorized service facility for examination, repair, or adjustment.
7. The use of attachments not recommended or sold by Waring may cause injury.
8. Do not use outdoors.
9. Do not let cord hang over edge of table or countertop, or touch hot surfaces.
10. Do not place on or near a hot gas or electric burner or in a heated oven.
11. Do not use this toaster for other than its intended use.
12. **A FIRE MAY OCCUR IF THE TOASTER IS COVERED OR TOUCHING FLAMMABLE MATERIALS SUCH AS DRAPERIES OR WALLS, WHEN IN OPERATION. DO NOT OPERATE UNDER WALL CABINETS.**
13. **Oversize foods, metal foil packages or utensils must not be inserted in a toaster as they may involve a risk of fire or electrical shock.**
14. Do not attempt to dislodge food when toaster is plugged into electrical outlet.
15. To avoid possibility of fire, do not leave toaster unattended during use.
16. Put this list in a safe place – do not discard.

SAVE THESE INSTRUCTIONS

For Commercial Use

Model WCT708/WCT708CND



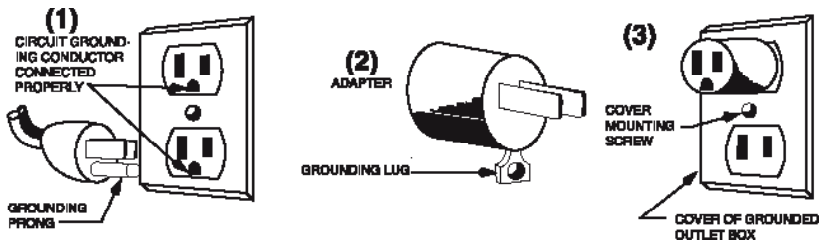
1. 2-6 Level Electronic Browning Controls
2. Slide-out Crumb Tray
3. Toaster Slot
4. Lift Carriage Control Lever
5. Self-Centering Bread Rack
6. Cord Storage (Not shown)
7. Brushed Chrome Steel

Specifications

- Ratings: 120 VAC – 60Hz – Single Phase; [WCT708](#) - 1800 W
[WCT708CND](#) - 1500W
- HOUSING: Brushed Chrome-Plated Steel
- [WCT708](#) - UL, NSF
[WCT708CND](#) - CUL, NSF

GROUNDING INSTRUCTIONS

This appliance must be grounded while in use to protect the operator from electrical shock. The appliance is equipped with a 3-conductor cord and 3-prong grounding-type plug to fit the proper grounding-type receptacle. The appliance has a plug that looks like the plug in drawing (1). An adapter, as in drawing (2), should be used for connecting the appliance plug to two-prong receptacles. The grounding tab which extends from the adapter must be connected to a permanent ground such as a properly grounded outlet box as shown in drawing (3) using a metal screw.



Note: The use of an adapter is not authorized in Canada.

EXTENSION CORDS

Use only 3-wire extension cords which have 3-prong grounding-type plugs and 3-pole cord connectors that accept the plug from the appliance. Use only extension cords which are intended for indoor use. Use only extension cords having an electrical rating not less than the rating of the appliance. Do not use damaged extension cords. Examine extension cord before using and replace if damaged. Do not abuse extension cord and do not yank on any cord to disconnect. Keep cord away from heat and sharp edges.

Operation

1. Put toaster on counter or flat, dry surface near electrical outlet.
2. For one-slice toasting, set the browning control on a lower setting than for two slices, place bread in slot and push down the carriage control lever. When toasting cycle is complete, the toasted bread will automatically raise.
3. For four slices, place bread in all the slots, set both browning controls and push down the carriage control levers. The toasted bread will automatically rise when the bread cycle is complete.
4. To stop toasting cycle, just lift up the associated carriage control lever. Lifting up on the carriage control lever at the end of cycle will also lift bread higher for easy removal.
5. To get additional holding space on the toasted bread, manually lift the carriage control lever.

Foodservice Usage: Care and Cleaning

Let toaster cool before any cleaning operation.

1. To clean outer surface: Let toaster cool. **Unplug power cord.** Wipe down exterior with nonabrasive soft cloth or sponge dampened with washing solution (for your safety, use water no hotter than 115°F), rinse water, and sanitizing solution. Prevent liquid from running into toaster slots by wringing all excess moisture from cloths or sponges before using them. Allow toaster's outer surface to dry before using.

2. To clean crumb trays: Remove the crumb tray and discard crumbs. Wipe crumb tray clean and replace. Never operate the toaster without the crumb trays in place.

3. To remove any pieces of bread remaining in the toaster, turn the toaster upside down and gently shake. Never insert any hard or sharp instrument into the toaster slots. This could damage the toaster and cause a safety hazard.

4. Never wrap the cord around the outside of the toaster. Use the Cord storage cleats on the underside of the toaster.

LIMITED 1 YEAR WARRANTY

Waring warrants every new WARING® COMMERCIAL PRODUCT to be free from defects in material and workmanship for a period of 1 year from the date of purchase when used with foodstuffs, nonabrasive liquids (other than detergents) and nonabrasive semi-liquids, providing it has not been subjected to loads in excess of the indicated rating.

Under this warranty, the Waring® Commercial Division will repair or replace any part which, upon examination, appears to us to be defective in materials or workmanship, provided the toaster is delivered prepaid to the Waring Service Center at 314 Ella T. Grasso Avenue, Torrington, CT 06790 or any Authorized Service Center.

This warranty does not: a) apply to any unit which has become worn, defective, damaged or broken due to use, repairs, or servicing by other than the Waring Service Center or an Authorized Service Center or due to abuse, misuse, overloading or tampering; or b) cover incidental or consequential damages of any kind.

This warranty gives you specific legal rights, and you may have other rights which vary from state to state so that certain limitations or exclusions set forth above may not apply to you.

WARNING – This warranty is VOID if the appliance is used on Direct Current (D.C.)



Waring Commercial
314 Ella T. Grasso Avenue
Torrington CT, 06790

SERVICE

Refer to the list of Authorized Service Centers enclosed with your Waring® Toaster for the name of the nearest Service Center, or contact Waring in one of the following 3 ways:



1) Mail: SERVICE CENTER

314 ELLA T. GRASSO AVENUE

TORRINGTON, CT 06790

2) Product Service: (800) 269-6640 or (800) 4WARING

3) Internet: <http://www.waringproducts.com>

E-mail: service@waringproducts.com

Ship units for repair to the above address or to an Authorized Service Center.

Do not ship to a Waring Sales Office.



©2008
Waring Commercial
314 Ella T. Grasso Avenue
Torrington, CT 06790

IB - 4373A
08WC073