



240 Volt Panini Ottimo® / Tostato Ottimo®
Dual Italian-Style Panini Grills

WDG300

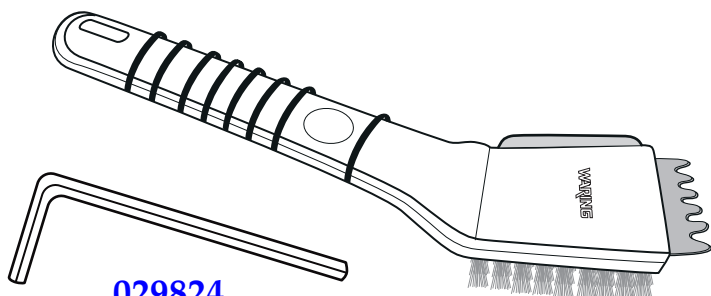
half flat plates / half ribbed plates

WFG300

flat grill

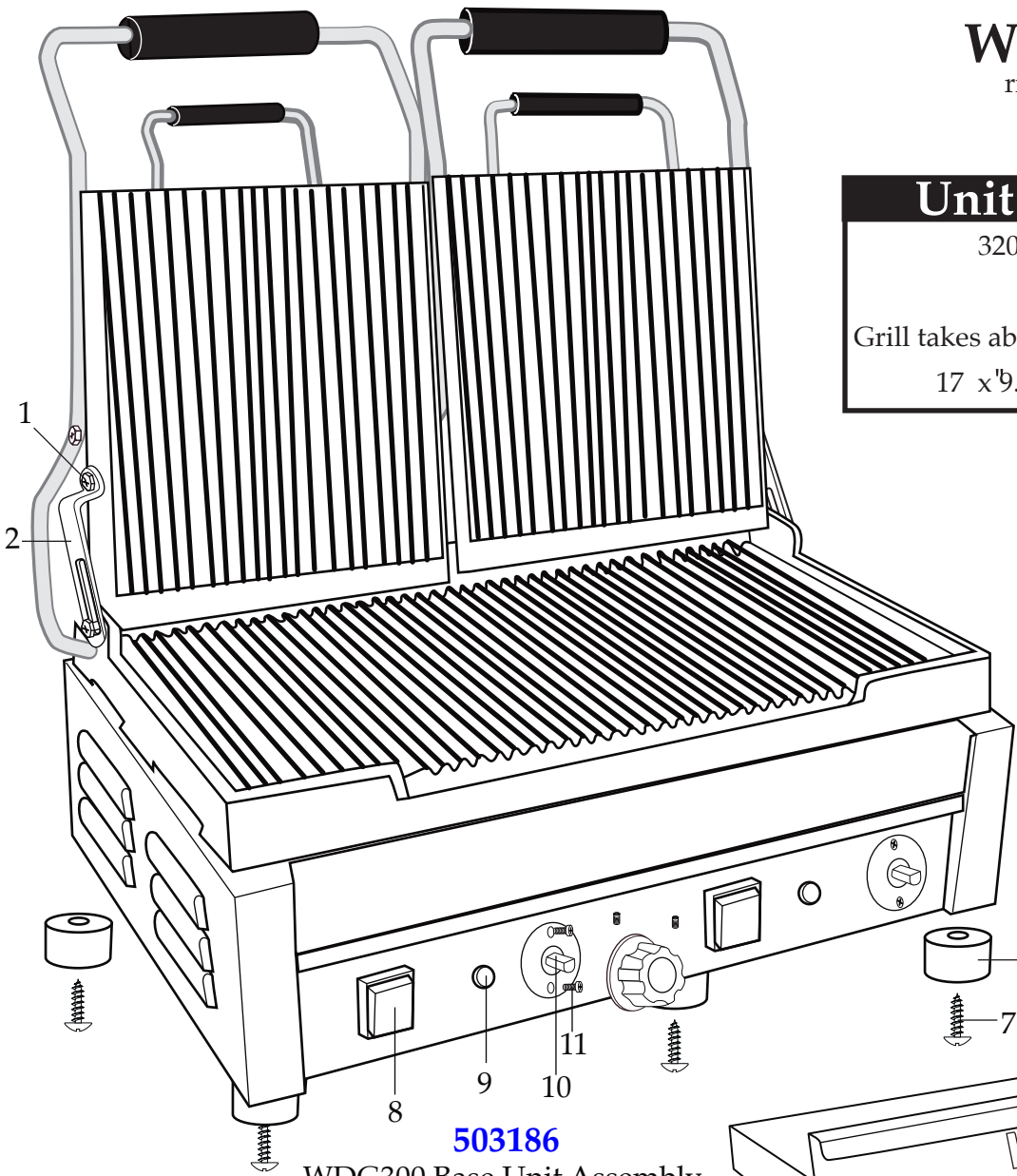
WPG300

ribbed grill



029824
5/32" Short Arm Hex Key
Allen Wrench

032000
Cleaning Brush



Unit Information

3200 Watts 240 Volts

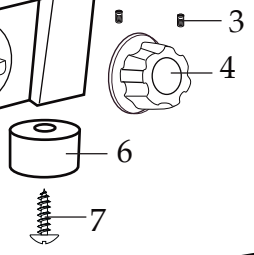
NEMA 6-20

Grill takes about 10 minutes to warm up.

17 x 9.25" Cooking Surface



Date Code Location
YY|MM|DD



503186
WDG300 Base Unit Assembly

503135
WFG300 Base Unit Assembly

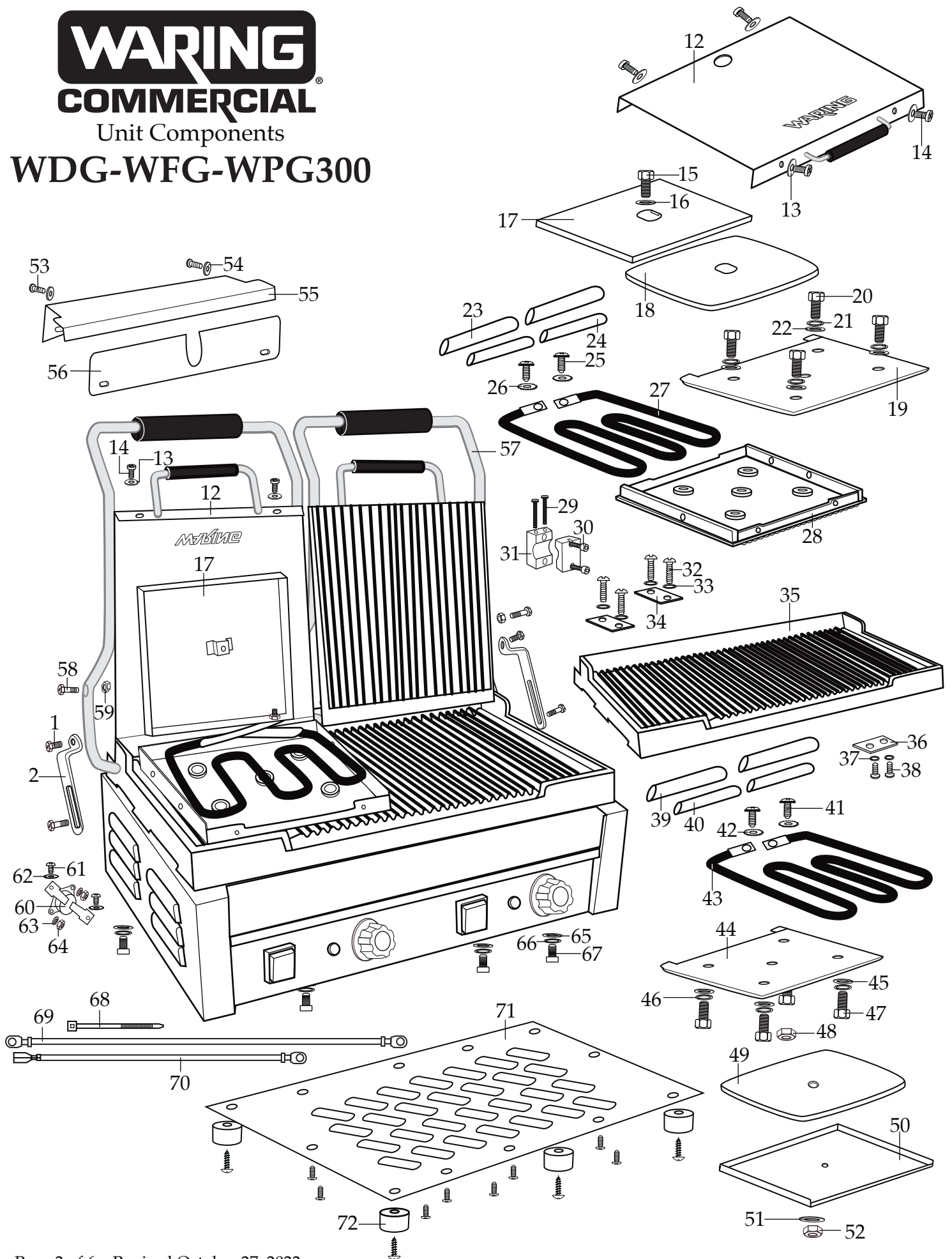
503136
WPG300 Base Unit Assembly



WARING COMMERCIAL

Unit Components

WDG-WFG-WPG300



Catalog/Model

WDG300

WFG300

WPG300

WARING
COMMERCIAL

314 Ella T. Grasso Ave.

Torrington, CT 06790

Tele. 1-800-269-6640

Fax 860-496-9017

www.waringcommercialproducts.com

| Illustration# | Part# | Description |
|----------------------|--------------|--|
| 1 | 028625 | Pivot Bracket Screw Set (1 small and 1 large per side) |
| 2 | 028624 | Pivot Bracket (2 required per unit) |
| 3 | 028627 | Set Screw (4 required per unit) |
| 4 | 028626 | Control Knob (2 required per unit) |
| 5 | 029504 | Drip Tray |
| 6 | 028622 | Foot (4 required per unit) |
| 7 | 028623 | Foot Screw (4 required per unit) |
| 8 | 029478 | On/Off Switch (2 required per unit) |
| 9 | 030018 | Indicator Light (2 required per unit) |
| 10 | 030013 | Thermostat (2 required per unit per unit) |
| 11 | 029943 | Thermostat Screw (4 required per unit) |
| 12 | 030080 | Cover (2 required per unit) |
| 13 | 029946 | Washer (8 required per unit) |
| 14 | 029947 | Screw (8 required) |
| 15 | 029950 | Hex Head Bolt (2 required per unit) |
| 16 | 029951 | Washer (2 required) |
| 17 | 030057 | Top Insulation Plate (2 required per unit) |
| 18 | 030058 | Top Insulation (2 required per unit) |
| 19 | 030059 | Top Element Plate (2 required per unit) |
| 20 | 029962 | Hex Head Bolt (8 required per unit) |
| 21 | 029963 | Spring Washer (8 required per unit) |
| 22 | 029964 | Washer (8 required per unit) |
| 23 | 029956 | Fiber Sleeve (4 required per unit) |
| 24 | 029957 | Plastic Sleeve (4 required per unit) |
| 25 | 029958 | Screw (4 required per unit) |
| 26 | 029959 | Washer (4 required per unit) |
| 27 | 030060 | Top Element (2 required per unit) |
| 28 | 030061 | Top Flat Grill Plate (1 or 2 per unit) |
| | 030062 | Top Ribbed Plate (1 or 2 per unit) |

Catalog/Model

WDG300

WFG300

WPG300

WARING COMMERCIAL

314 Ella T. Grasso Ave.

Torrington, CT 06790

Tele. 1-800-269-6640

Fax 860-496-9017

www.waringcommercialproducts.com

| Illustration# | Part# | Description |
|---------------|--|---|
| 29 | 036549 030054 | Screw (2 required per tension bracket <i>on units after 10/18/2017</i>) Screw (2 required) |
| 30 | 036550 030055 | Tension Bolts (2 required per tension bracket <i>on units after 10/18/2017</i>) Tension Screw (2 required) |
| 31 | 036548 030056 | 2 Piece Tension Bracket (2 required per unit <i>on units after 10/18/2017</i>) Tension Bracket (2 required) |
| 32 | 029992 | Screw (8 required per unit) |
| 33 | 029993 | Spring Washer (8 required per unit) |
| 34 | 030063 | Large Handle Bracket (4 required per unit) |
| 35 | 036571 030064 036572 030065 036573 030066 | Bottom Flat Grill Plate (<i>on units after 10/18/2017</i>) Bottom Flat Grill Plate Bottom Ribbed Grill Plate (<i>on units after 10/18/2017</i>) Bottom Ribbed Grill Plate Bottom Half Flat & Half Ribbed Grill Plate (<i>on units after 10/18/2017</i>) Bottom Half Flat & Half Ribbed Grill Plate |
| 36 | 029973 | Thermostat Bracket (2 required per unit) |
| 37 | 029974 | Washer (4 required per unit) |
| 38 | 029975 | Screw (4 required per unit) |
| 39 | 029956 | Fiber Sleeve (4 required per unit) |
| 40 | 029957 | Plastic Sleeve (4 required per unit) |
| 41 | 029958 | Screw (4 required per unit) |
| 42 | 029959 | Washer (4 required per unit) |
| 43 | 030067 | Bottom Element (2 required) |
| 44 | 030068 | Bottom Element Plate (2 required per unit) |
| 45 | 029964 | Washer (8 required per unit) |
| 46 | 029963 | Spring Washer (8 required per unit) |
| 47 | 029962 | Hex Head Bolt (8 required per unit) |
| 48 | 029980 | Nut (2 required per unit) |
| 49 | 030069 | Bottom Insulation (2 required per unit) |
| 50 | 030070 | Bottom Insulation Plate (2 required per unit) |
| 51 | 029951 | Washer (2 required per unit) |
| 52 | 029980 | Nut (2 required per unit) |
| 53 | 029985 | Screw (4 required per unit) |

Catalog/Model

WDG300

WFG300

WPG300

WARING COMMERCIAL

314 Ella T. Grasso Ave.

Torrington, CT 06790

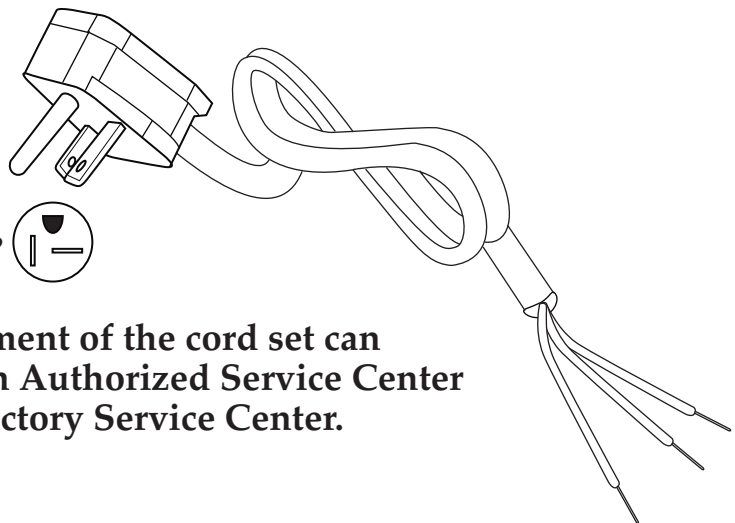
Tele. 1-800-269-6640

Fax 860-496-9017

www.waringcommercialproducts.com

| Illustration# | Part# | Description |
|---------------|------------------|--|
| 54 | 029986 | Washer (4 required per unit) |
| 55 | 036569 030071 | Rear Cover w/ Tension Cover (2 required per unit <i>on units after 10/18/2017</i>) Rear Cover w/ Tension Cover (2 required per unit) |
| 56 | 036570 030072 | Rear Cover Plate w/ Tension Hole (2 required per unit <i>on units after 10/18/2017</i>) Rear Cover Plate w/ Tension Hole (2 required per unit) |
| 57 | 030073 | Large Handle (2 required per unit) |
| 58 | 029990 | Hex Head Screw (4 required per unit) |
| 59 | 029991 | Nut (4 required per unit) |
| 60 | 030074 | Thermal Cut-off (2 required per unit) |
| 61 | 030075 | Screw (4 required per unit) |
| 62 | 030076 | Lock Washer (4 required per unit) |
| 63 | 029997 | Washer (4 required per unit) |
| 64 | 029998 | Nut (4 required per unit) |
| 65 | 029999 | Washer (4 required per unit) |
| 66 | 030000 | Spring Washer (4 required per unit) |
| 67 | 030001 | Bolt (4 required per unit) |
| 68 | 013731 | Wire Tie (11 required per unit) |
| 69 | 030077 | 20" Red Lead |
| 70 | 030078 | 17" Red Lead |
| 71 | 030079 | Bottom Housing Plate |
| 72 | 030006 | Screw (8 required per unit) |

033697
Cord 240 Volt NEMA 6-20P



*** Certified replacement of the cord set can only be performed by an Authorized Service Center or the Waring Factory Service Center.**

Catalog/Model

WDG300

WFG300

WPG300

WARING COMMERCIAL

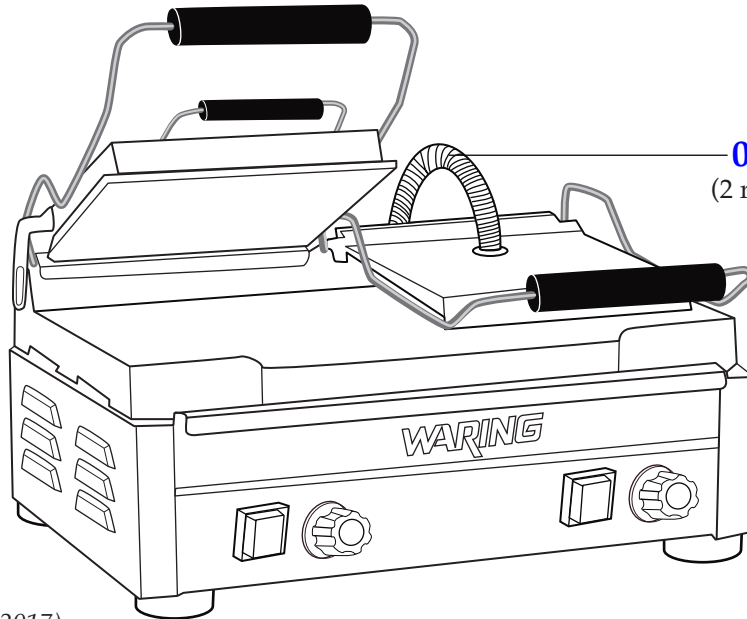
314 Ella T. Grasso Ave.

Torrington, CT 06790

Tele. 1-800-269-6640

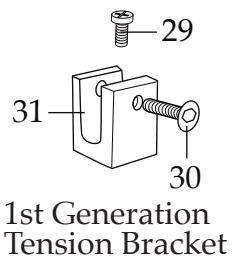
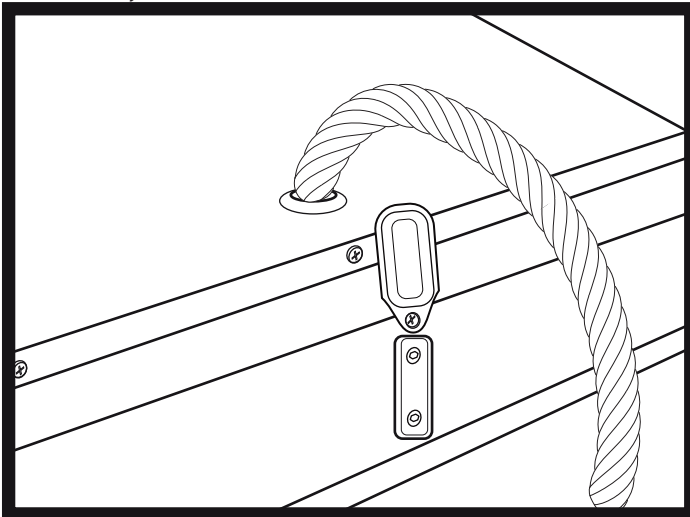
Fax 860-496-9017

www.waringcommercialproducts.com



033053 - Coil
(2 required per unit)

(on units after 10/18/2017)



1st Generation
Tension Bracket

