

## Unit Information

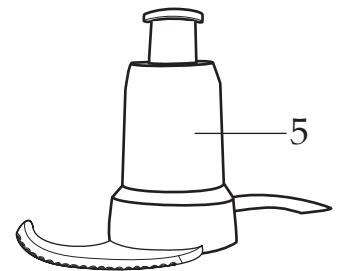
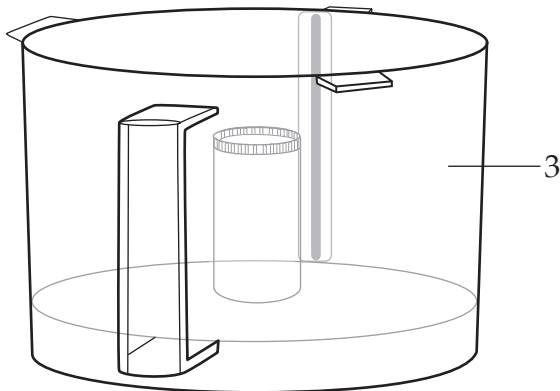
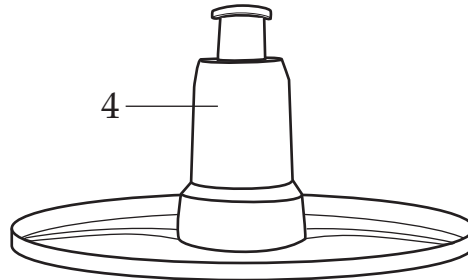
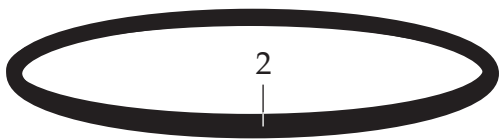
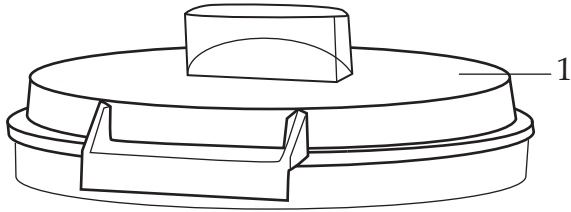
5 Amps MAX

¾ HP Motor

5 Yr Motor - 2 Yr Parts & Labor Warranty

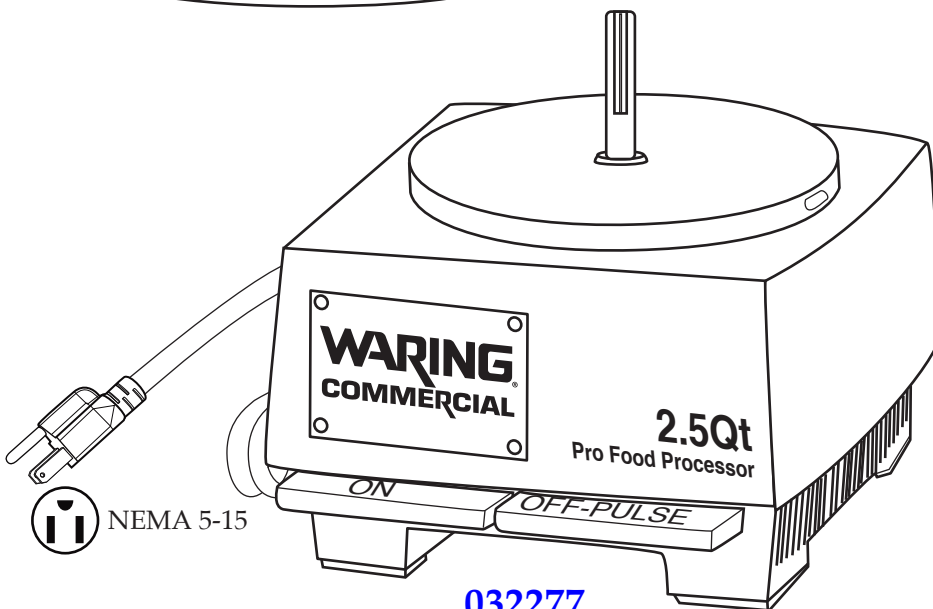
# WARING COMMERCIAL®

## 2.5-Quart Sealed Food Processor WFP11SW



YYMMDD

↑  
Date Code Location  
YY|MM|DD  
year year | month month | day day



 NEMA 5-15

**032277**

Base Unit Assy.

Illustration #	Part #	Description
1	032416	Flat Cover
2	032282	Cover Seal
3	032283	Bowl
4	032417	Whipping Disc
5	032285	Serrated S Blade

## Internal Components

