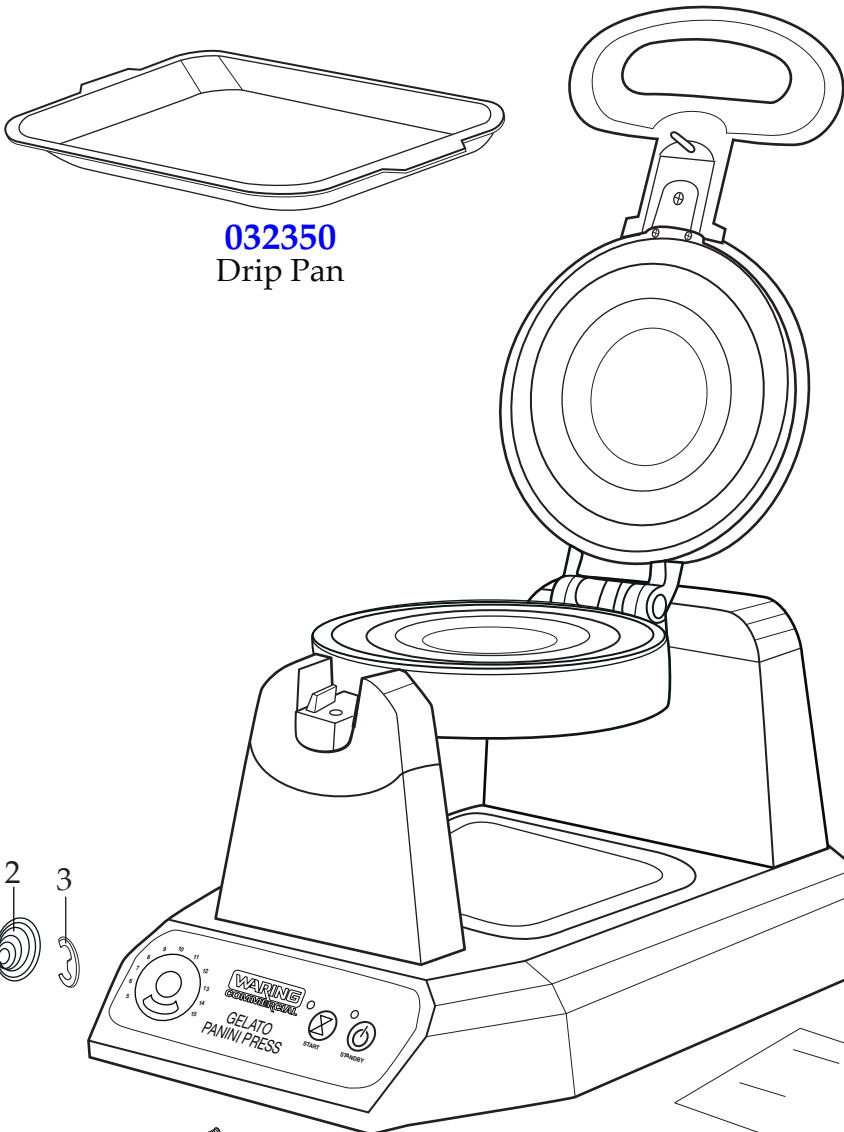


WARING COMMERCIAL®

Gelato Panini Press WICSP180

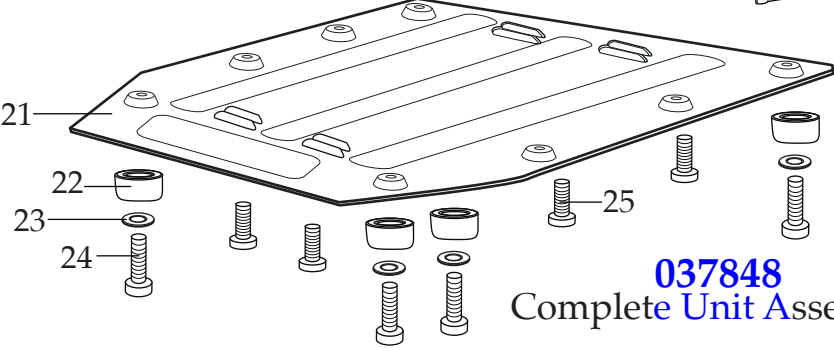
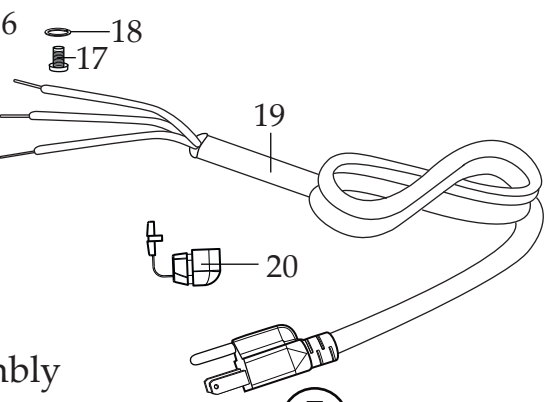
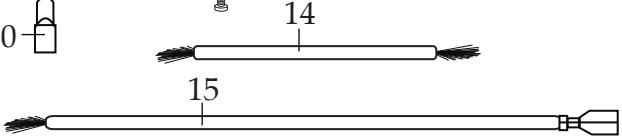
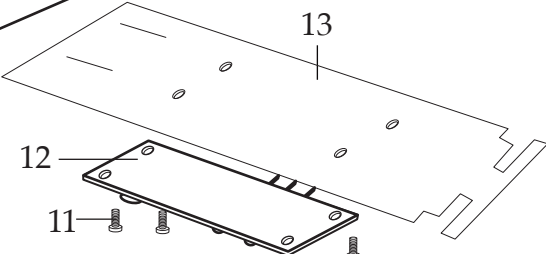
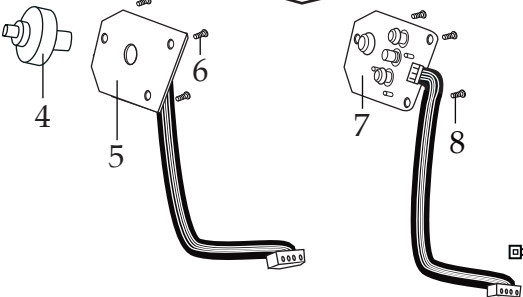
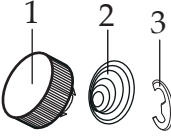
Unit Information
 120 Volts - 60 Hz - 1200 Watts
 Bake times from 5 - 15 seconds
 4" Diameter buns
 Limited 1 Year Warranty



032350
Drip Pan



Date Code Location
 WWYY
 (week week year year)



037848
Complete Unit Assembly



Illustration#	Part#	Description
1	032352	Browning Control Knob
2	034938	Spring Coil
3	032362	E Ring
4	034937	Pole Connector
5	035316	Darkness Control Panel (thermostat) w/ Short Lead Tape
6	034939	Screw (3 required)
7	034158	Control Board
8	032359	Screw (3 required)
9	013731	Wire Tie
10	019123 012409	Large Crimp Connector Small Crimp Connector (3 required)
11	032359	Screw (4 required)
12	035304	PCB Board
13	030638	PCB Board Shield
14	035306	4" White Lead
15	035305	10.5" White Lead Assembly
16	032371	Cord Plate
17	035298	Ground Screw (2 required)
18	032360	Spring Washer (2 required)
19	032363	Cord Set
20	032361	Strain Relief
21	032351	Bottom Plate
22	032353	Foot (4 required)
23	032354	Foot Washer (4 required)
24	032355	Foot Screw (4 required)
25	032750	Bottom Plate Screw (4 required)