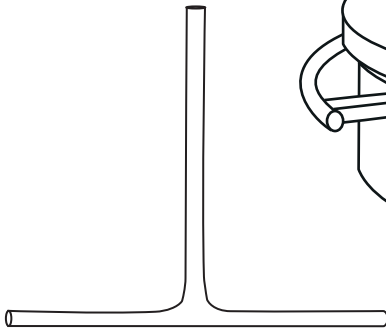


035822
WSC160X Unit

WARING
COMMERCIAL
16" Electric Crepe Maker
WSC160X



032156
Batter Spreader



032155
Crepe Spatula

Unit Information

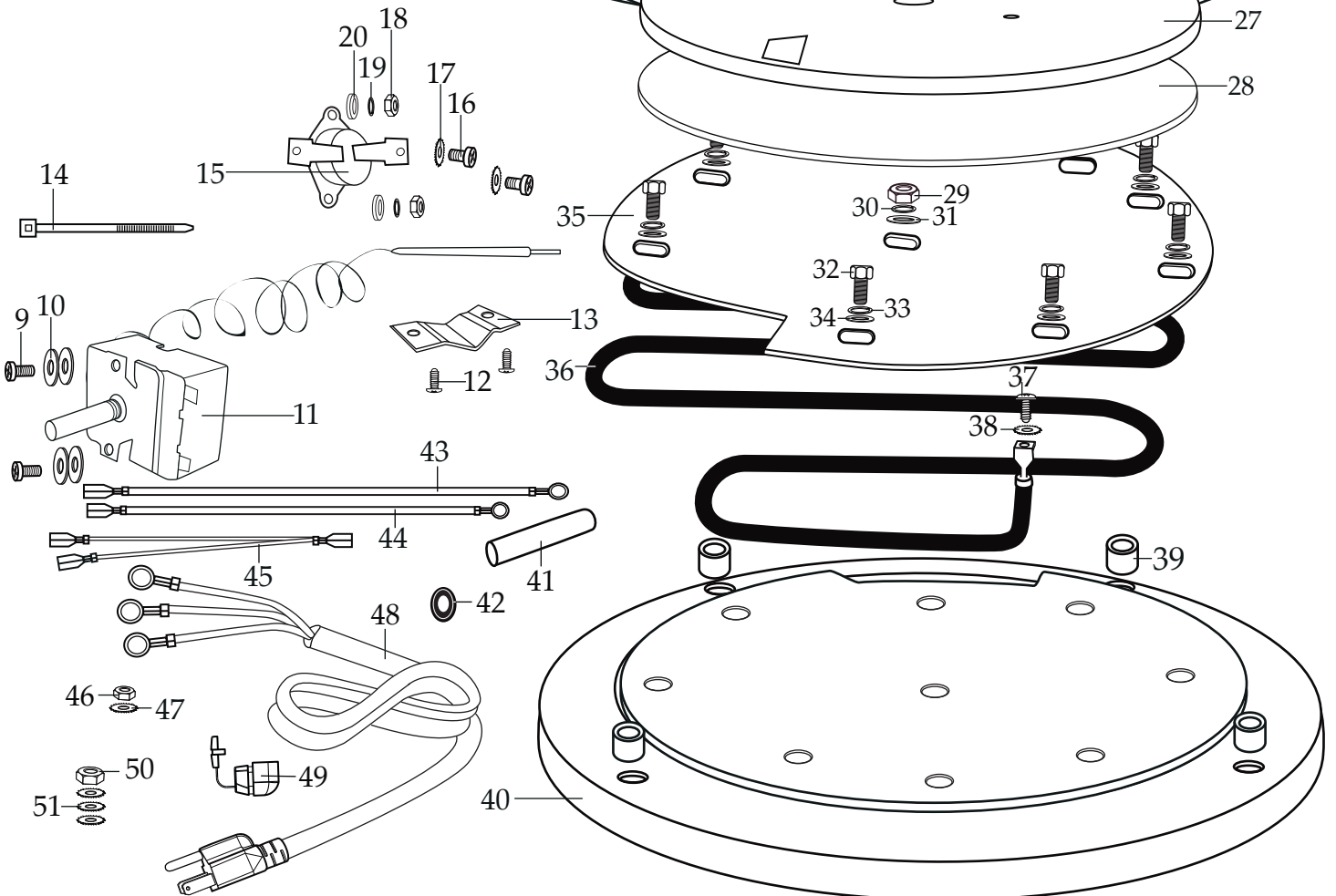
60Hz - 1800 Watts

16" Cast-iron Cooking Surface

One Year Warranty

Season Before First Use This Process
Will Take About 1 - 1 1/2 Hours

280°F-570°F Adjustable Thermostat



Illustration#	Part#	Description
1	032130	Control Knob
2	028627	Set Screw
3	029941	Red Power Light
4	030515	Green Ready Light
5	028623	Foot Screw (4 required)
6	028622	Foot (4 required)
7	030006	Screw (6 required)
8	032131	Bottom Plate
9	029943	Thermostat Screw (2 required)
10	032132	Thermostat Washer (4 required)
11	035820	Thermostat
12	030006	Screw (2 required)
13	032134	Thermostat Bracket
14	013731	Wire Tie (4 required)
15	035821	Thermal Cut-off
16	030075	Screw (2 required)
17	030076	Lock Washer (2 required)
18	029998	Nut (2 required)
19	032136	Spring Washer (2 required)
20	029997	Washer (2 required)
21	032137	Screw (4 required)
22	032138	Spring Washer (4 required)
23	032139	Washer (4 required)
24	032140	Outer Base Shell with Handles
25	029980	Hex Nut
26	029951	Washer
27	032141	Insulation Cover
28	032142	Insulation

Illustration#	Part#	Description
29	029980	Hex Nut
30	032144	Spring Washer
31	029951	Washer
32	029962	Bolt (6 required)
33	029963	Spring Washer (6 required)
34	029964	Washer (6 required)
35	032143	Element Plate
36	032145	Heating Element
37	029958	Screw (2 required)
38	029959	Lock Washer (2 required)
39	032146	Spacer (4 required)
40	035819	Grill Plate with Aluminum Plate Assembly
41	030525	Rubber Sleeve (2 required)
42	030533	Housing Lead Protector
43	032147 032151	Red Lead (2 required thermostat to thermal cut-off & element) White Lead (red power light to ceramic seal)
44	032148	Black Lead (element to ceramic seal)
45	032150 032149	Double White Lead (thermostat to ready light and power light) White Lead (thermostat to ready light)
46	030534	Ground Nut
47	030536	Ground Lock Washer
48	032152	Cord Set
49	030518	Strain Relief
50	030535	Ceramic Seal Nut
51	030536	Ceramic Seal Lock Washer (3 required)