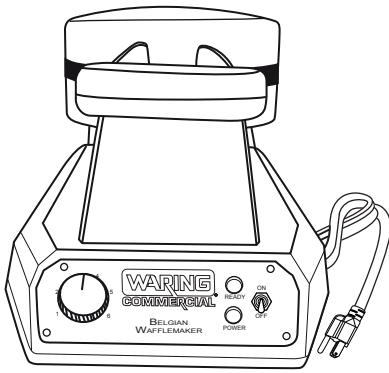


# WARING COMMERCIAL®

Heavy-Duty Belgian Waffle Maker  
with Replaceable Plates

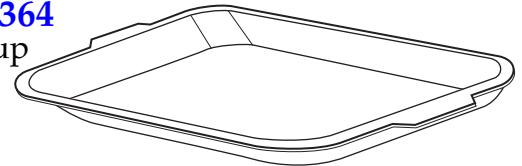
**WW180X**



**037511**  
WW180X Unit Assembly  
(without Drip Tray)



**032364**  
Cup



**032350**  
Drip Pan

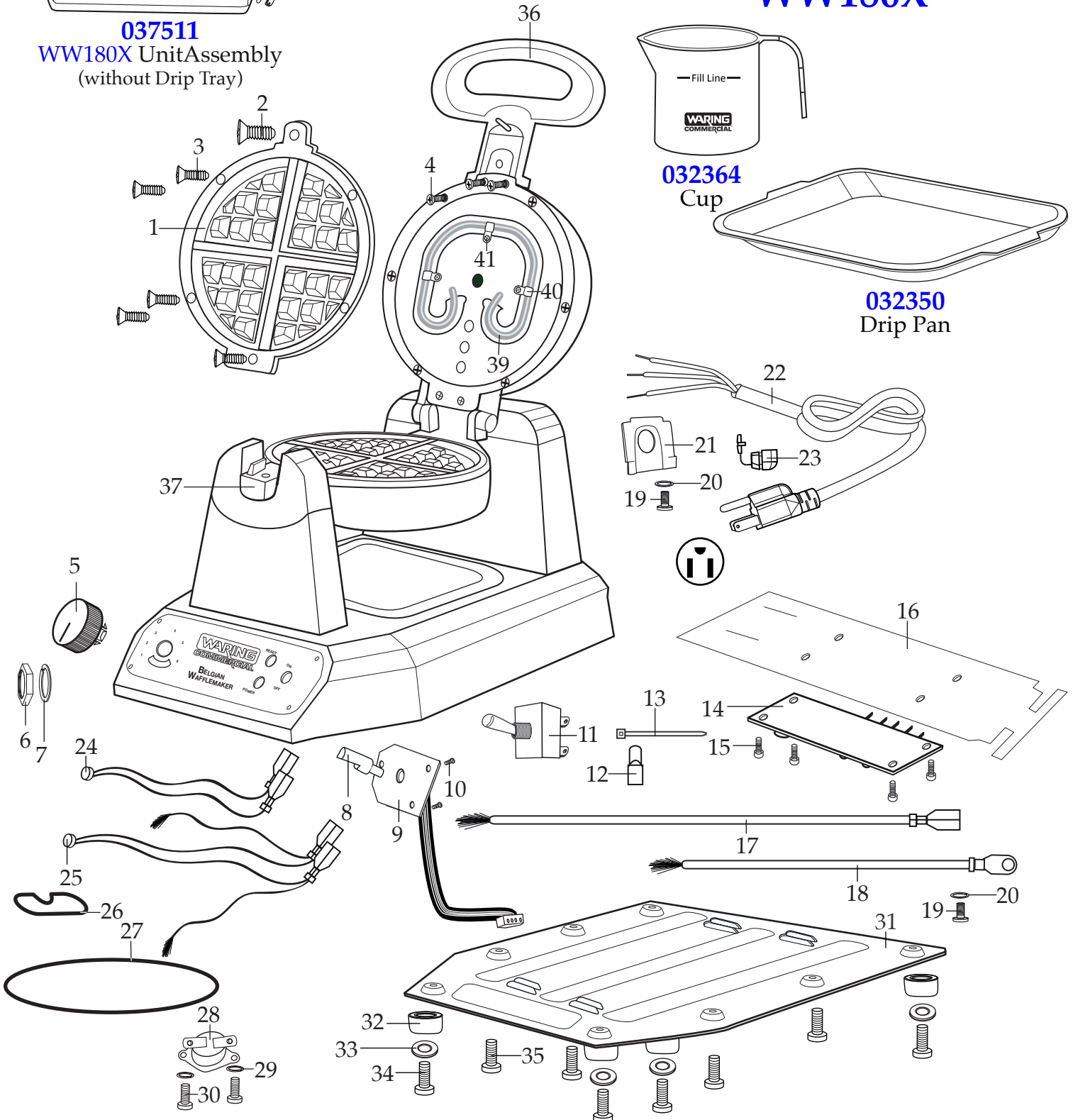
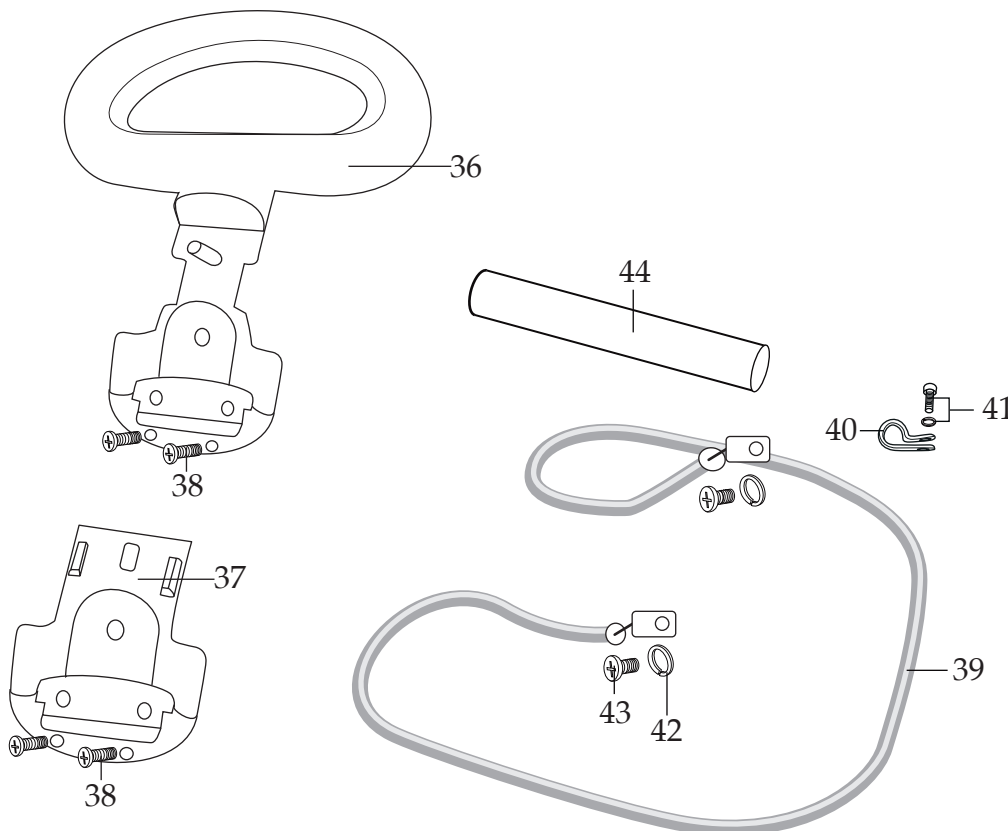


Illustration #	Part #	Description
1	037510	Belgian Waffle Plate (1 top - 1 bottom)
2	037357	Screw (1 top plate - 1 bottom plate)
3	037356	Screw (5 top plate - 5 bottom plate)
4	037493	Screw (10 top inner plate - 10 bottom inner plate)
5	032352	Knob
6	016236	Hex Nut
7	032356	Washer
8	036241	Connector Pole
9	035316	Darkness Control Board (short tape)
10	032359	Screw (3 required)
11	032368	Toggle Switch
12	012409	Small Crimp Connector (4 required)
	019123	Large Crimp Connector (2 required)
13	013731	Wire Tie (7 required)
14	037490	PCB Board
15	032359	Screw (4 required)
16	030638	Power Board Shield
17	037492	15.5" Red Lead Assembly (2 required)
18	037491	8" Green Lead Assembly
19	035298	Ground Screw (2 required)
20	032751	Ground Spring Washer (2 required)
21	032371	Cord Plate
22	033494	Cord Set
23	035476	Strain Relief
24	037494	Green Light with Leads
25	037495	Red Light with Leads
26	038131	Small Rubber Gasket
27	038132	Round Rubber Gasket
28	038133	Thermostat
29	037504	Spring Washer (2 required)
30	032359	Screw (2 required)

Illustration #	Part #	Description
31	032351	Bottom Plate
32	032353	Foot (4 required)
33	032354	Foot Washer (4 required)
34	032355	Screw (4 required)
35	032750	Bottom Plate Screw (4 required)
36	037488	Top Handle
37	037489	Bottom Handle
38	037493	Screw (2 top handle - 2 bottom handle)
39	037502	Heating Element (1 top - 1 bottom)
40	037503	Clamp (3 top heating element - 3 bottom heating element)
41	032359	Screw (3 top clamps - 3 bottom clamps)
	037504	Spring Washer (3 top clamps - 3 bottom clamps)
42	032751	Spring Washer (2 top heating element - 2 bottom heating element)
43	037505	Screw (2 top heating element - 2 bottom heating element)
44	037506	Insulated Sleeve (2 top heating element - 2 bottom heating element)



↑  
Date Code Location  
YY|MM|DD  
year year | month month | day day