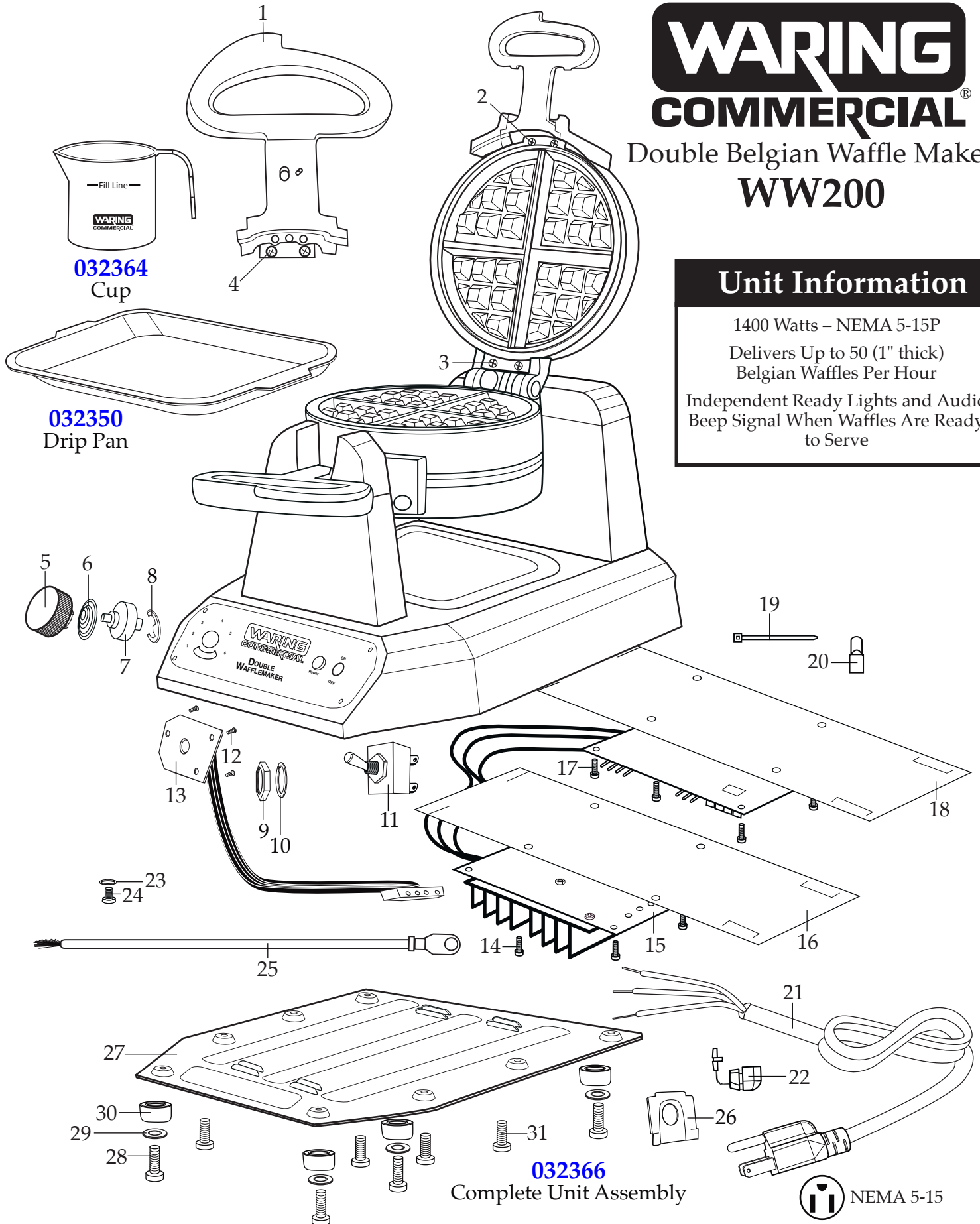


# WARING COMMERCIAL®

## Double Belgian Waffle Maker WW200

### Unit Information

1400 Watts – NEMA 5-15P  
 Delivers Up to 50 (1" thick)  
 Belgian Waffles Per Hour  
 Independent Ready Lights and Audio  
 Beep Signal When Waffles Are Ready  
 to Serve



**032364**  
Cup

**032350**  
Drip Pan

**032366**  
Complete Unit Assembly



Illustration#	Part#	Description
1	037968	Handle (top and bottom)
2	037970	Screw (2 required on both the top & bottom waffle plate)
3	037357	Screw (2 required on both the top & bottom waffle plate)
4	032359	Screw (2 required on both the top & bottom handle half)
5	032352	Browning Control Knob
6	034938	Spring Coil
7	034161	Connector Pole
8	032362	E Ring
9	016236	Hex Nut
10	032356	Washer
11	032368	On-Off Toggle Switch
12	032359	Screw (3 required)
13	032358	Darkness Control Panel w/ Long Lead Tape (thermostat)
14	032359	Screw (4 required)
15	032369	PCB Board and Power Board Assembly
16	032357	Power Board Shield
17	032359	Screw (4 required)
18	032357	PCB Board Shield
19	013731	Wire Tie (6 required)
20	019123 012409	Large Crimp Connector Small Crimp Connector (3 required)
21	032363	Cord Set
22	032361	Strain Relief
23	032360	Ground Spring Washer (2 required)
24	035298	Ground Screw (2 required)
25	034933	9.75" Green Ground Lead
26	032371	Cord Plate
27	032351	Bottom Plate

# Catalog/Model

WW200

# WARING COMMERCIAL

314 Ella T. Grasso Ave.  
Torrington, CT 06790  
Tele. 1-800-269-6640  
Fax 860-496-9017

[www.waringcommercialproducts.com](http://www.waringcommercialproducts.com)

Illustration#	Part#	Description
28	032355	Foot Screw (4 required)
29	032354	Foot Washer (4 required)
30	032353	Foot (4 required)
31	032750	Screw (4 required)

## Part No Longer Used



034162  
Connector Pole



Date Code Location  
YY|MM|DD  
year|year|month|month|day|day