

Unit Information

208 Volts - 60Hz - 2400 watts
240 Volts - 60Hz - 3200 watts

Precise temperature control and accuracy
Digital controls and LCD display for ease of operation
Limited One-Year Warranty

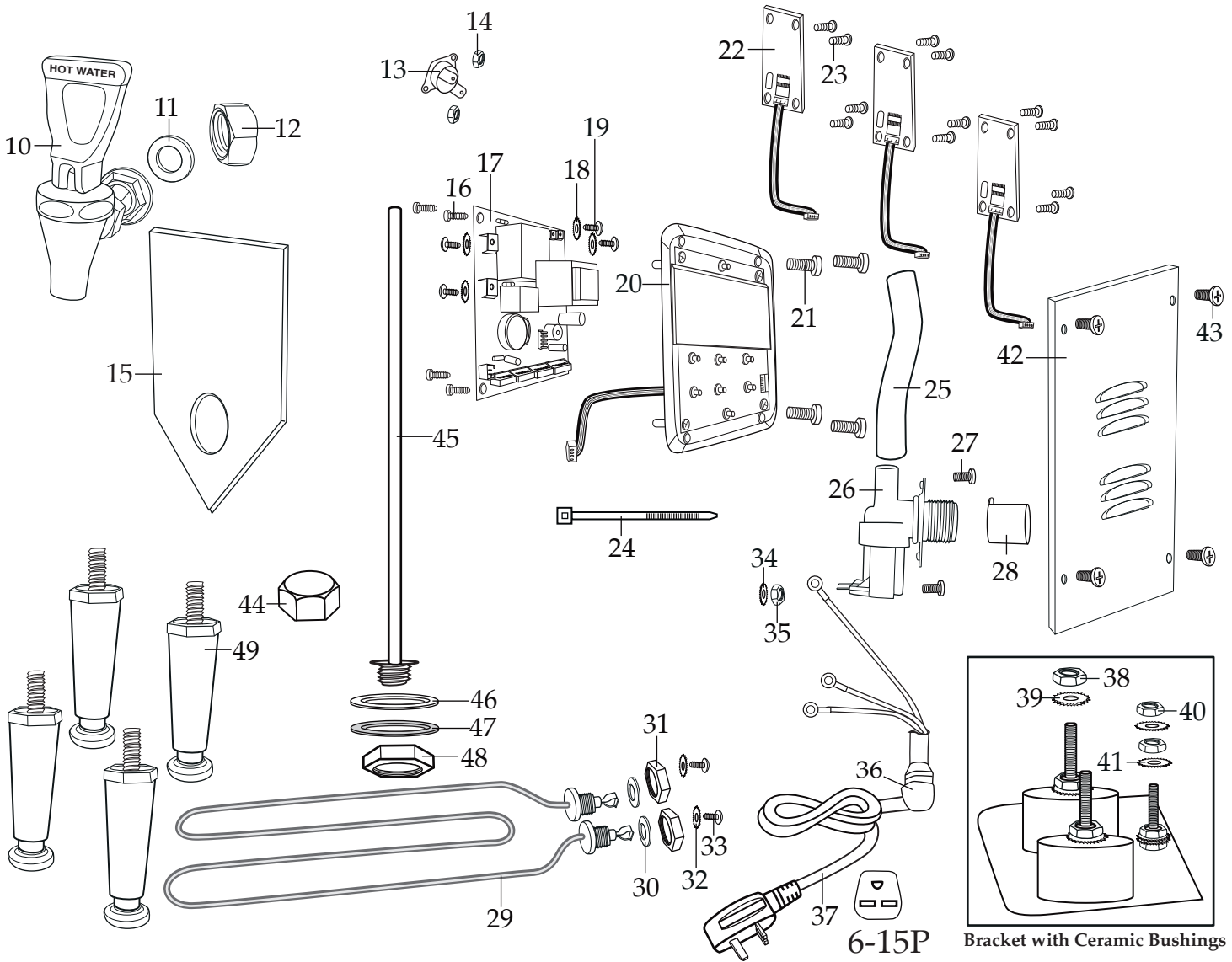
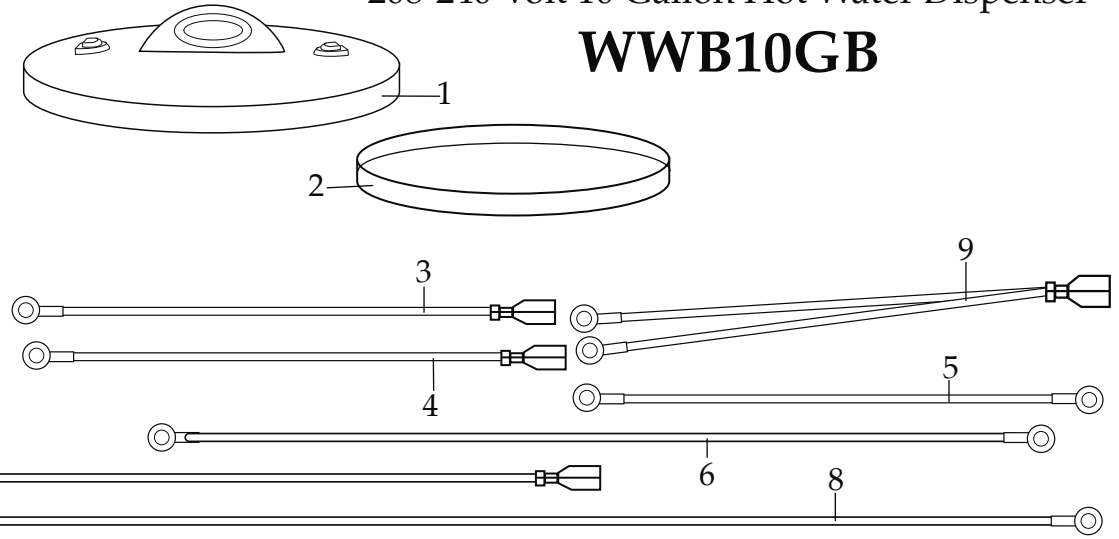


208-240 Volt 10 Gallon Hot Water Dispenser

WWB10GB

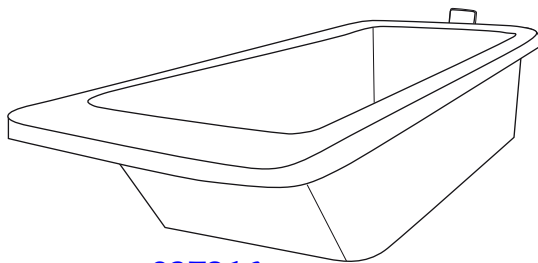


Date Code Location
WWYY
(week week year year)

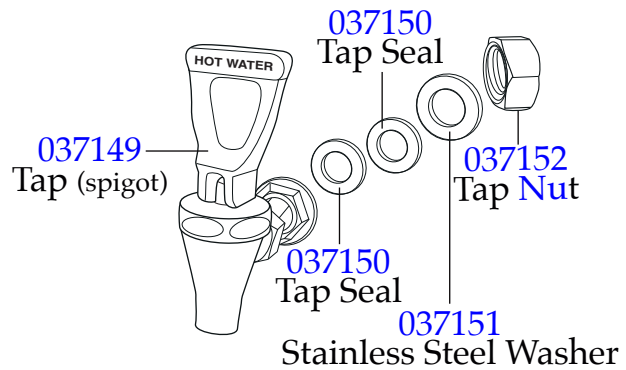


| Illustration# | Part# | Description |
|----------------------|--------------|--|
| 1 | 037140 | Lid |
| 2 | 037141 | Lid Seal (on unit) |
| 3 | 037142 | 8.75" Burgundy Lead (round and regular terminal) |
| 4 | 037142 | 8.75" Burgundy Lead (round and regular terminal) |
| 5 | 037143 | 8.75" Green/Yellow Lead (2 round terminals) |
| 6 | 037144 | 12.5" Burgundy Lead (2 round terminals) |
| 7 | 037145 | 12.5 Red Lead (round and regular terminal) |
| 8 | 037146 | 16.5" Blue Lead (2 round terminals) |
| 9 | 037147 | 8.625" Blue Double Lead (2 round and regular terminal) |
| 10 | 037149 | Tap (spigot) |
| 11 | 037150 | Tap Seal |
| 12 | 037152 | Tap Nut |
| 13 | 038898 | Thermal Cut Off |
| 14 | 037154 | Hex Nut (2 required) |
| 15 | 037155 | Face Guard |
| 16 | 037156 | Screw (4 required) |
| 17 | 038900 | PCB Assembly |
| 18 | 037158 | Lock Washer (4 required) |
| 19 | 037159 | Sems (4 required) |
| 20 | 037160 | Control Board Assembly |
| 21 | 037717 | Screw (4 required) |
| 22 | 037162 | Water Level Sensor (3 required) |
| 23 | 037163 | Screw (4 required for each sensor) |
| 24 | 013731 | Wire Ties (4 required) |
| 25 | 037164 | Valve Tube |
| 26 | 037165 | Solenoid Valve |
| 27 | 037717 | Screw (2 required) |
| 28 | 037167 | Valve Cover |
| 29 | 038899 | Heating Element |
| 30 | 037169 | Element Seal (2 required) |

| Illustration# | Part# | Description |
|---------------|--------|---|
| 31 | 037170 | Element Hex Nut (2 required) |
| 32 | 037158 | Lock Washer (2 required) |
| 33 | 037159 | Sems (2 required) |
| 34 | 037158 | Ground Lock Washer (attached to unit) |
| 35 | 037171 | Ground Hex Nut (attached to unit) |
| 36 | 037172 | Strain Relief |
| 37 | 038897 | Cord Set |
| 38 | 037174 | Hex Nut (1 on each ceramic bushing) |
| 39 | 037175 | Lock Washer (1 on each ceramic bushing) |
| 40 | 037171 | Ground Hex Nut (2 required ceramic bushing) |
| 41 | 037158 | Ground Lock Washer (2 required ceramic bushing) |
| 42 | 037176 | Side Panel |
| 43 | 037177 | Screw (4 required) |
| 44 | 038238 | Drain Cap |
| 45 | 038239 | Over Flow Pipe |
| 46 | 038240 | Sealing Gasket |
| 47 | 038237 | Gasket |
| 48 | 038241 | Over Flow Pipe Nut |
| 49 | 037178 | Leg (4 required) |



037216
Drip Tray



First Units Bu