

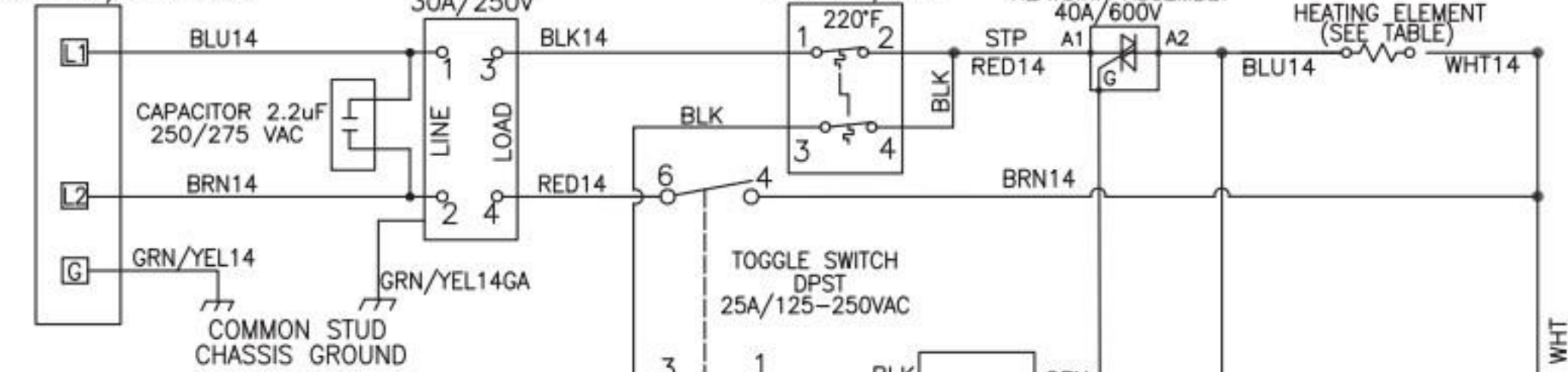
POWER BLOCK  
57-65A/300-450V

EMI FILTER  
30A/250V

MANUAL RESET  
THERMOSTAT  
DPST 40A/277V

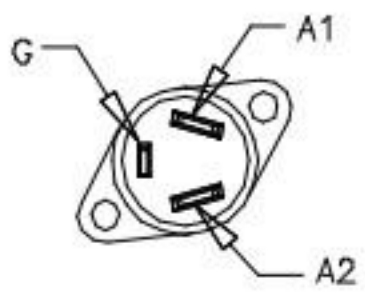
TRIAC  
HEATSINK ASSEMBLY  
40A/600V

HEATING ELEMENT  
(SEE TABLE)

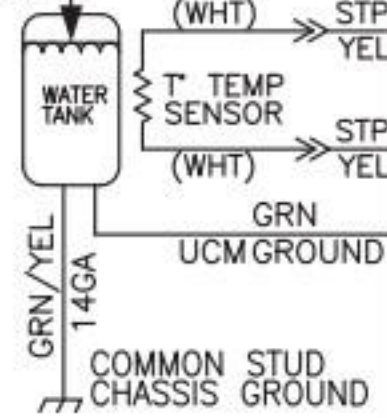


INCOMING POWER  
220-240VAC 1PH  
2W+G 50/60Hz

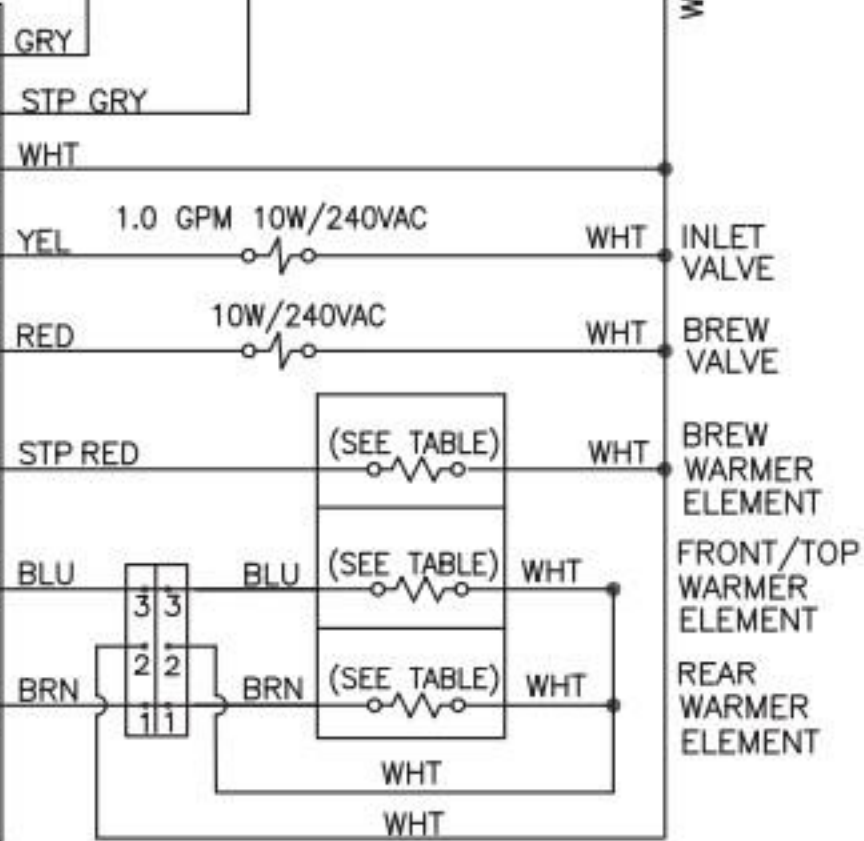
TRIAC PIN ASSIGNMENTS



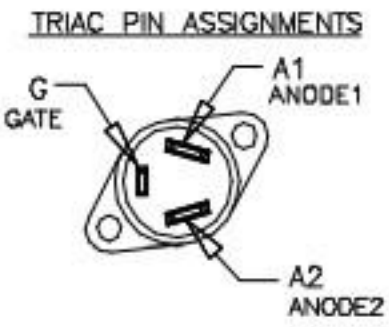
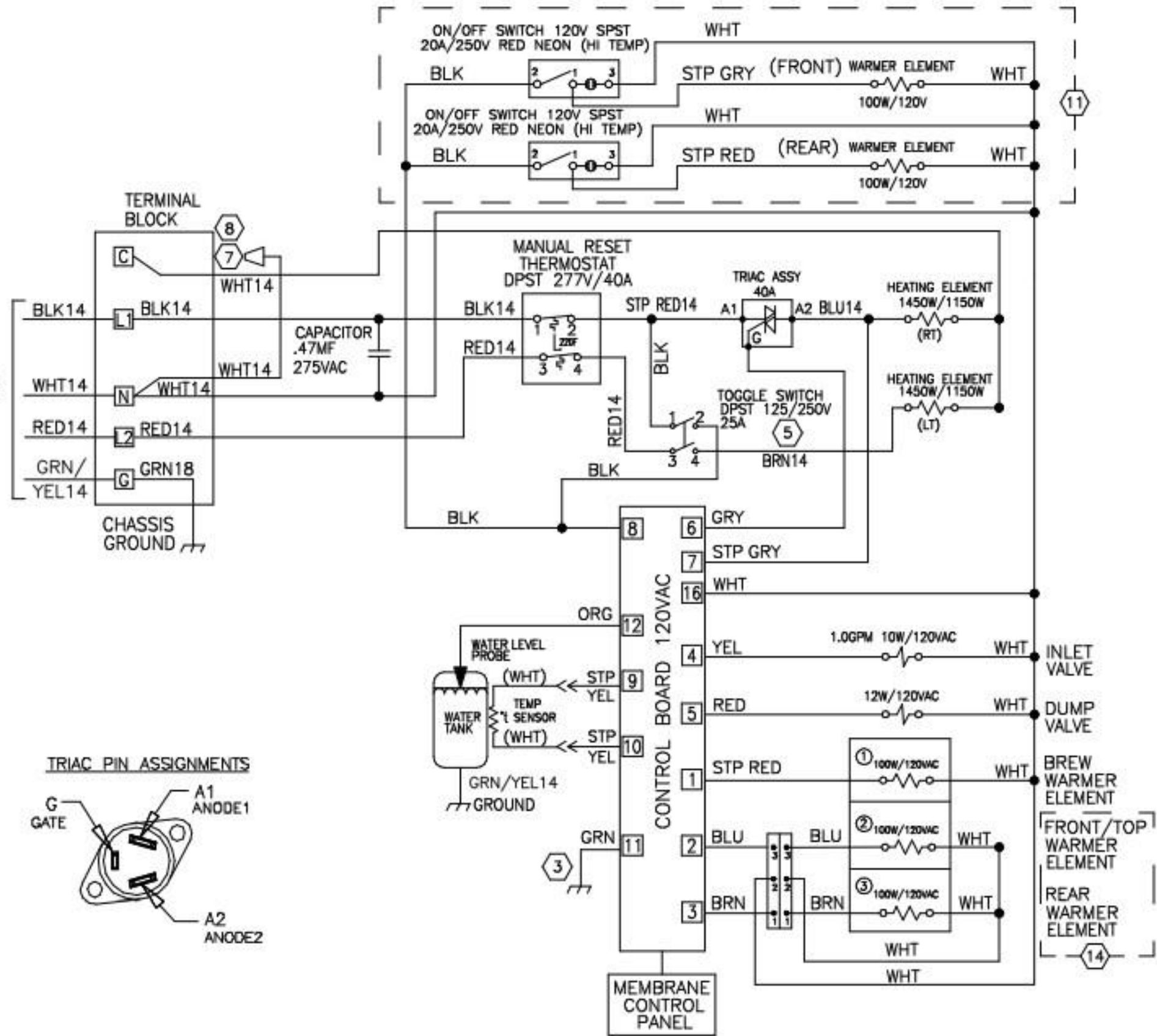
WATER LEVEL  
PROBE ASSY



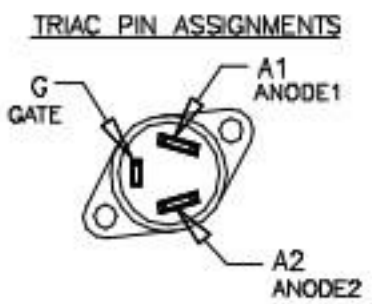
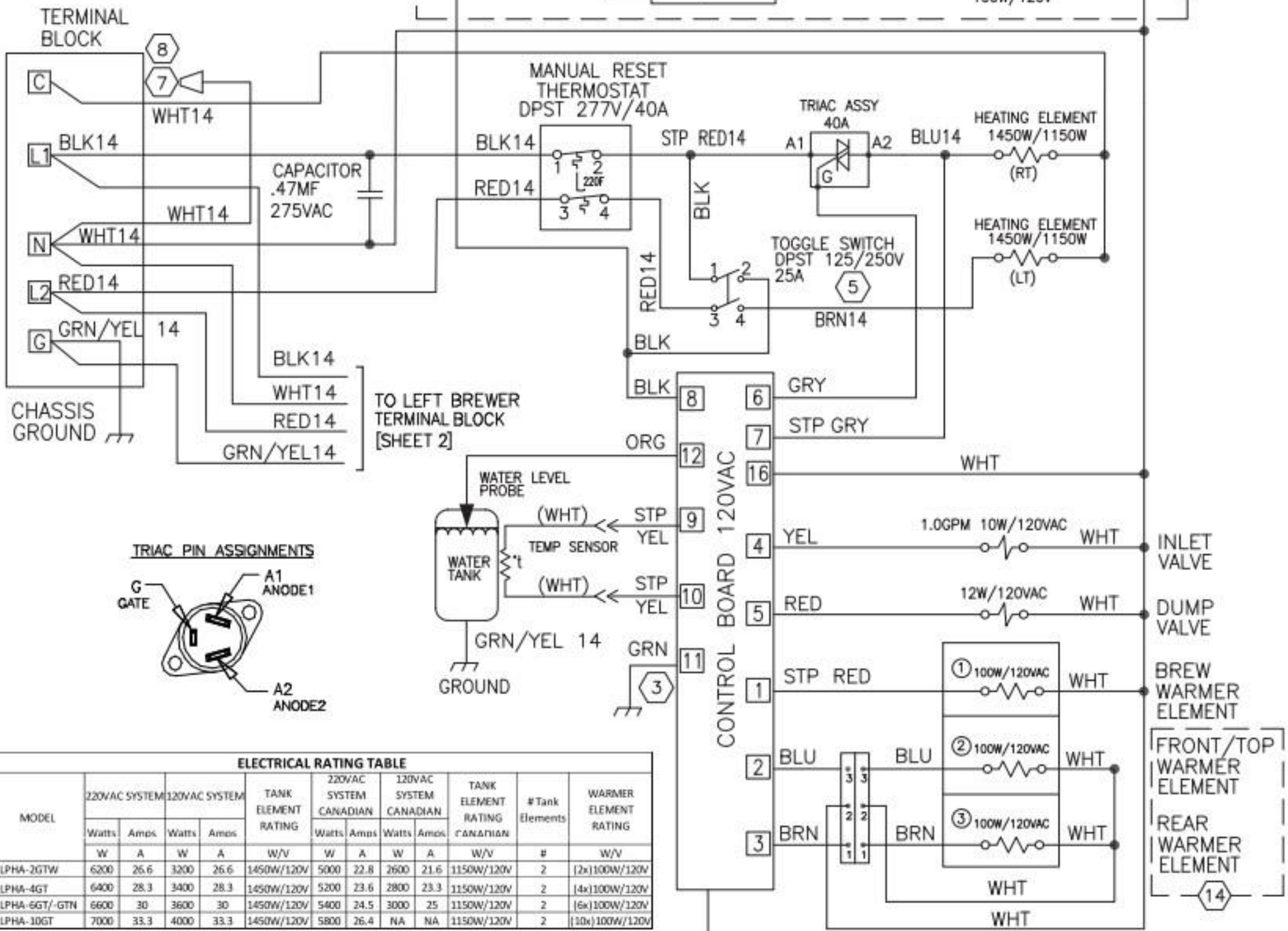
UNIVERSAL CONTROL MODULE 220VAC 5W



FROM RIGHT BREWER  
TERMINAL BLOCK  
[SHEET 1]



INCOMING POWER  
SEE ELECTRICAL RATING  
TABLE FOR SPECIFIC MODELS



**ELECTRICAL RATING TABLE**

MODEL	220VAC SYSTEM		120VAC SYSTEM		TANK ELEMENT RATING	220VAC SYSTEM CANADIAN		120VAC SYSTEM CANADIAN		TANK ELEMENT RATING CANADIAN	# Tank Elements	WARMER ELEMENT RATING
	Watts	Amps	Watts	Amps		Watts	Amps	Watts	Amps			
	W	A	W	A		W/V	W	A	W			
ALPHA-2GTW	6200	26.6	3200	26.6	1450W/120V	5000	22.8	2600	21.6	1150W/120V	2	(2x)100W/120V
ALPHA-4GT	6400	28.3	3400	28.3	1450W/120V	5200	23.6	2800	23.3	1150W/120V	2	(4x)100W/120V
ALPHA-6GT/-GTN	6600	30	3600	30	1450W/120V	5400	24.5	3000	25	1150W/120V	2	(6x)100W/120V
ALPHA-10GT	7000	33.3	4000	33.3	1450W/120V	5800	26.4	NA	NA	1150W/120V	2	(10x)100W/120V

MEMBRANE CONTROL PANEL

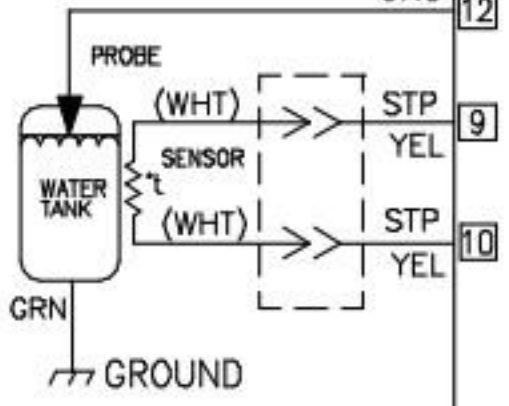
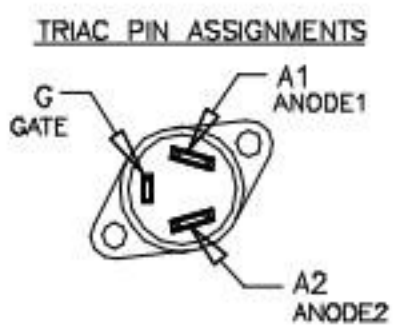
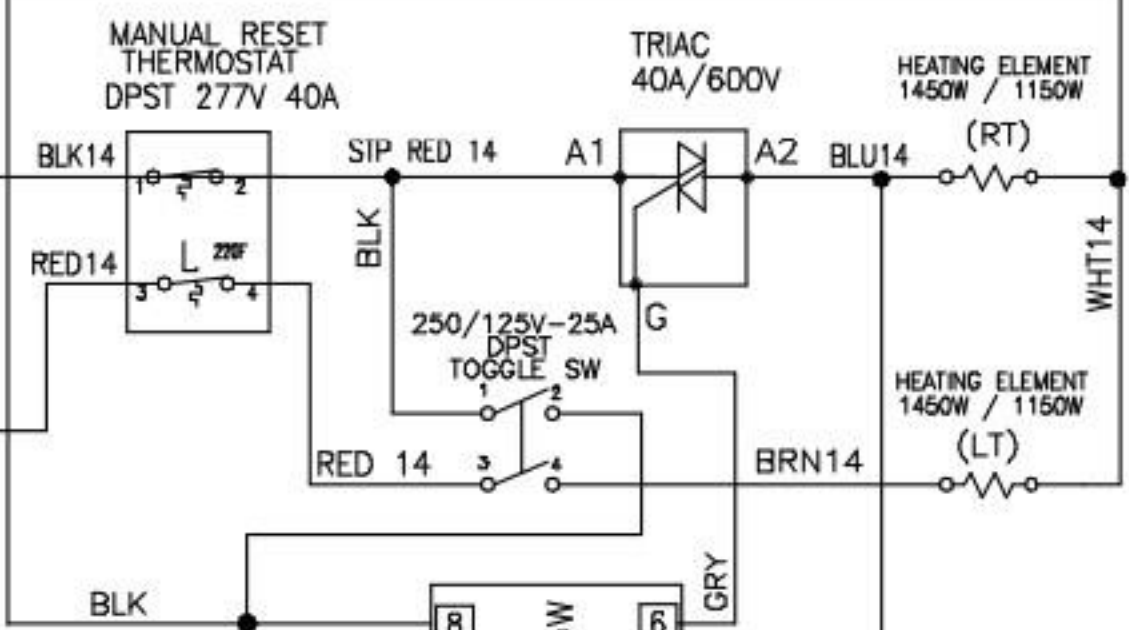
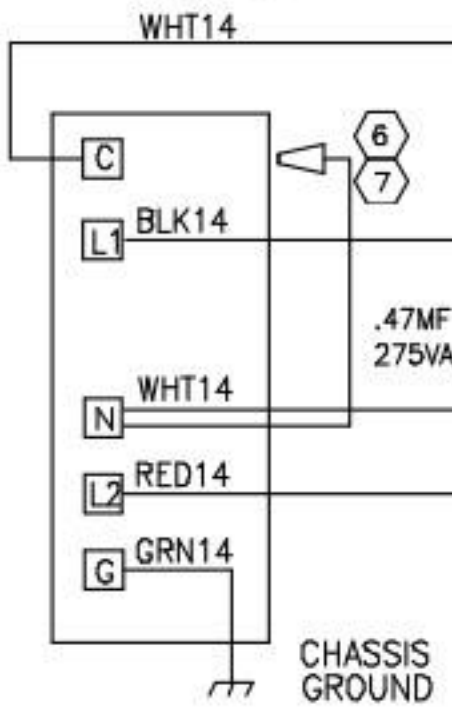
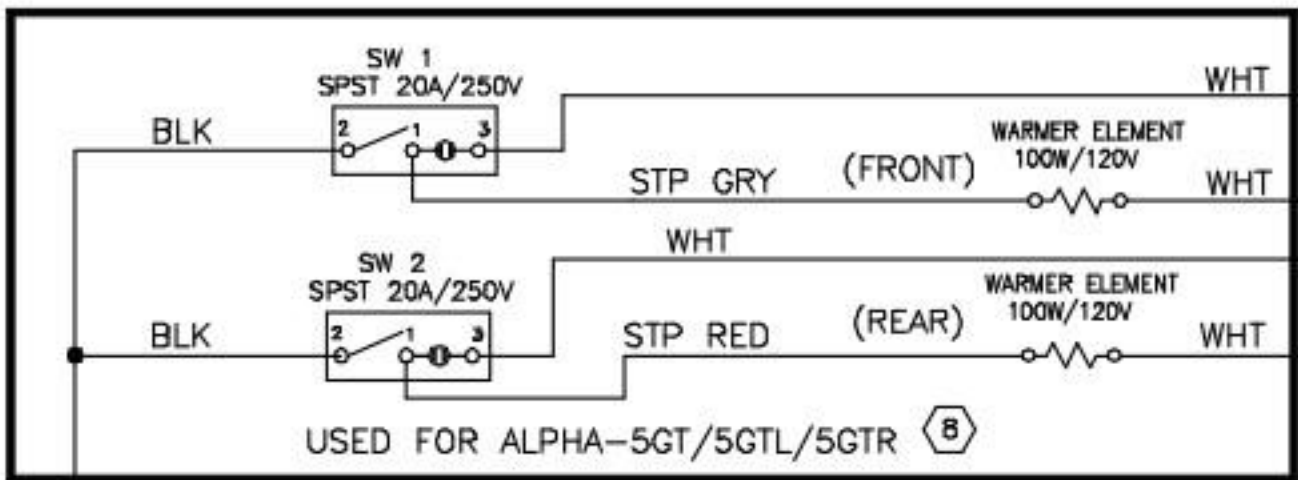
**UCM Pin Assignments**  
**16 Pin Connector**

1	BREW WARMER
---	-------------

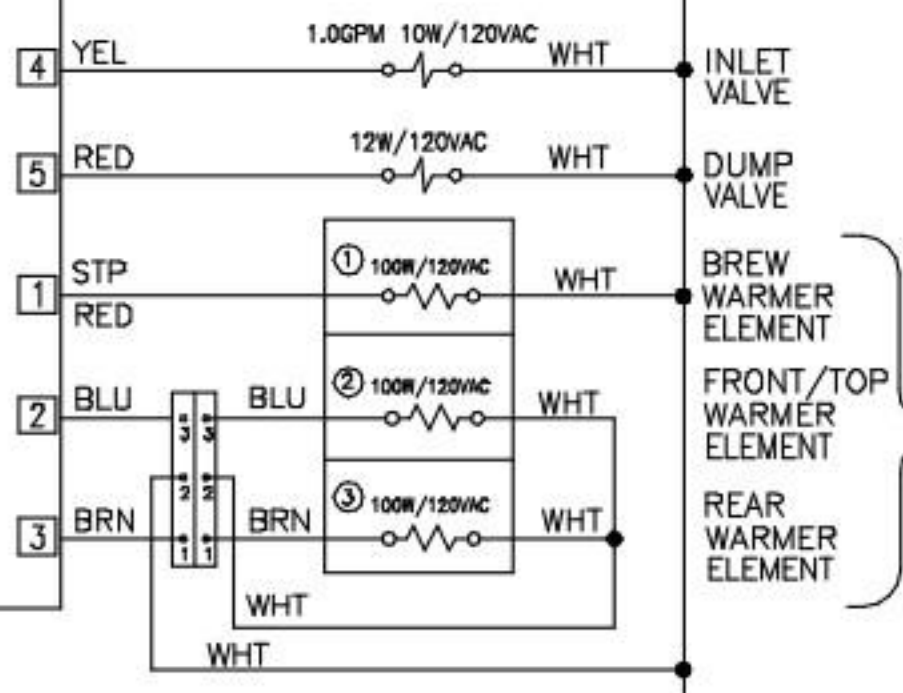
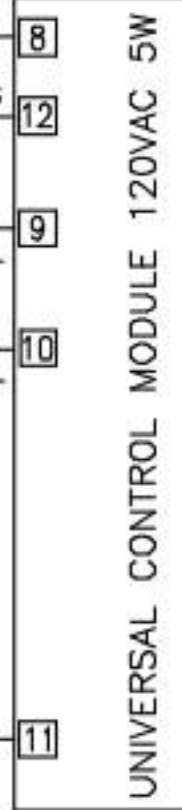
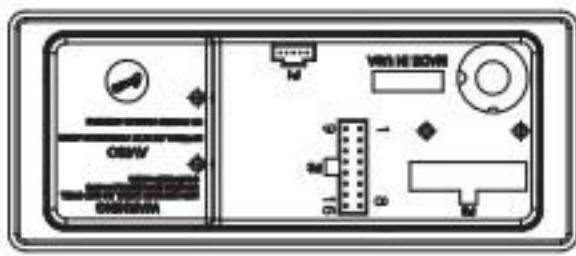
POWER SUPPLY  
 DUAL VOLTAGE  
 120/220VAC  
 1-PH, 50/60HZ  
 2W/3W+G

(SEE TABLE FOR  
 ELEC RATING  
 PER MODEL)

TERMINAL BLOCK  
 5 STA 50A/600V



LEGEND

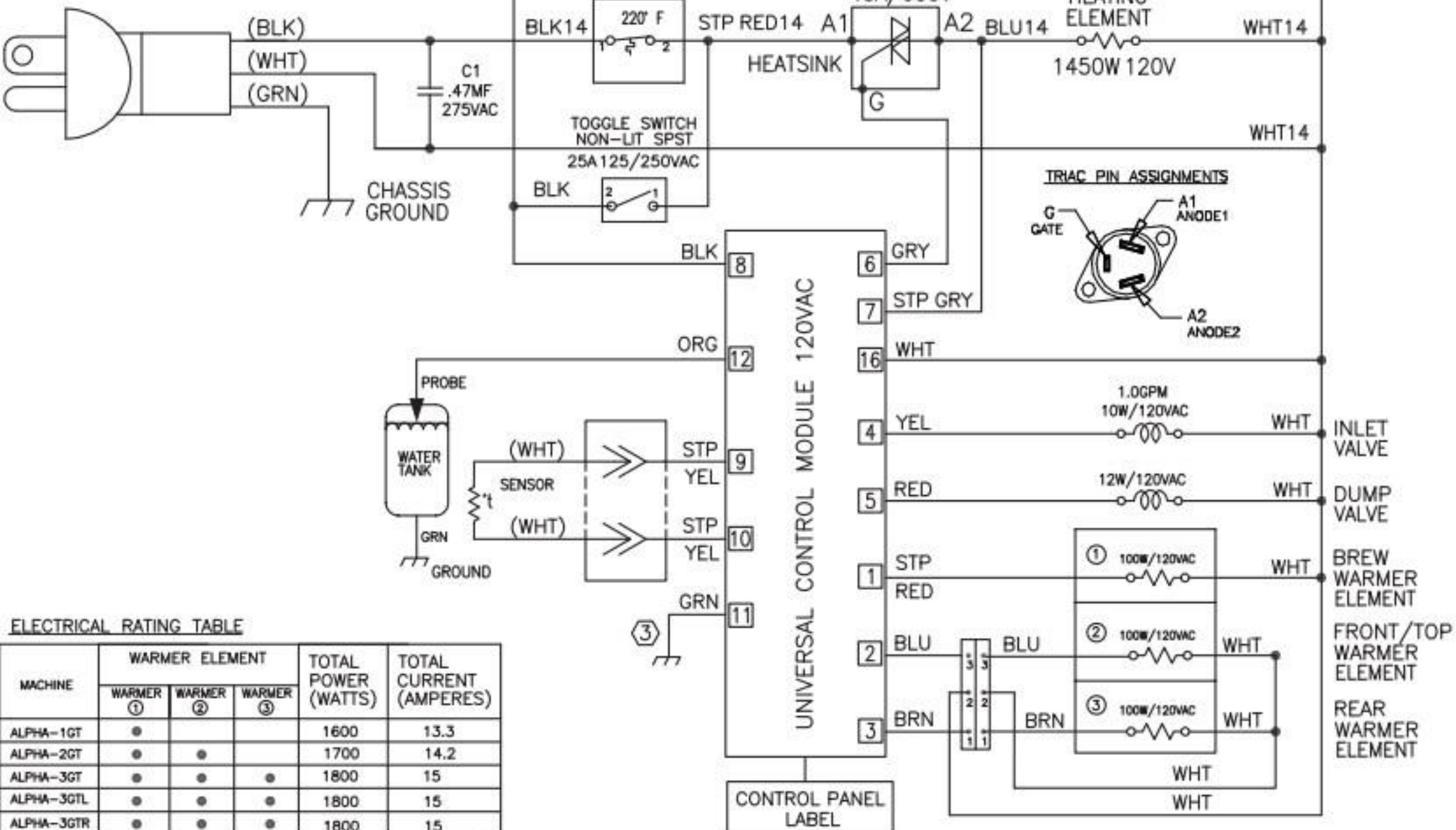


8

POWER SUPPLY  
120VAC/1-PHASE  
50/60HZ, 2W+G

SEE TABLE FOR  
ELEC RATING  
PER MODEL

⑤ POWER CORD  
14/3 SJTO



ELECTRICAL RATING TABLE

MACHINE	WARMER ELEMENT			TOTAL POWER (WATTS)	TOTAL CURRENT (AMPERES)
	WARMER ①	WARMER ②	WARMER ③		
ALPHA-1GT	●			1600	13.3
ALPHA-2GT	●	●		1700	14.2
ALPHA-3GT	●	●	●	1800	15
ALPHA-3GTL	●	●	●	1800	15
ALPHA-3GTR	●	●	●	1800	15
ALPHA-5GT	●	●	●	1950	16.3 ⑤
ALPHA-5GTL	●	●	●	1950	16.3 ⑤