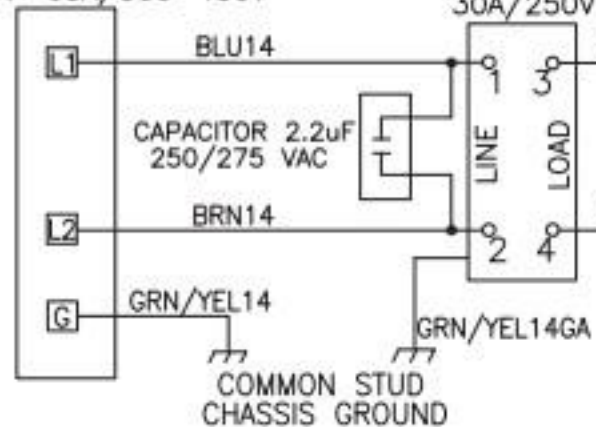
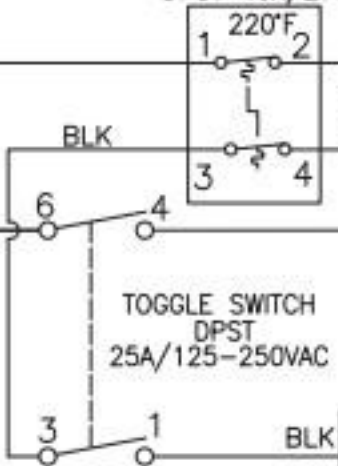


POWER BLOCK
57-65A/300-450V

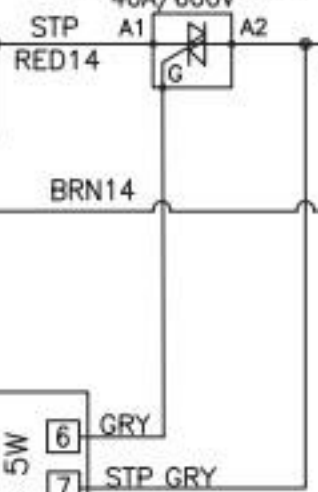


INCOMING POWER
220-240VAC 1PH
2W+G 50/60Hz

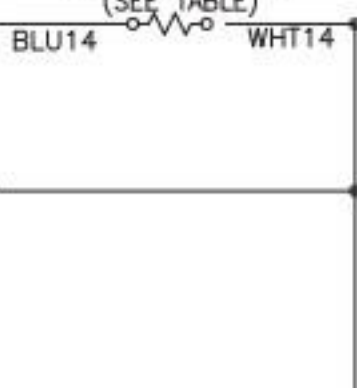
MANUAL RESET
THERMOSTAT
DPST 40A/277V



TRIAC
HEATSINK ASSEMBLY
40A/600V

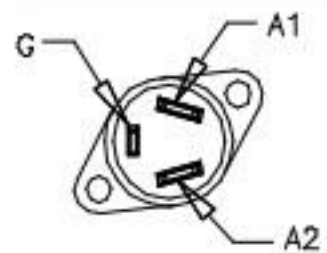


HEATING ELEMENT
(SEE TABLE)

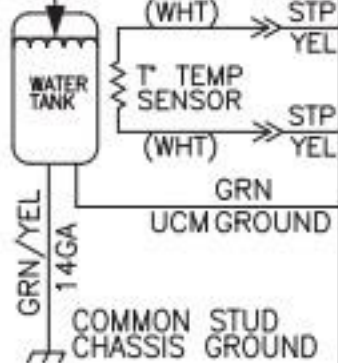


WHT

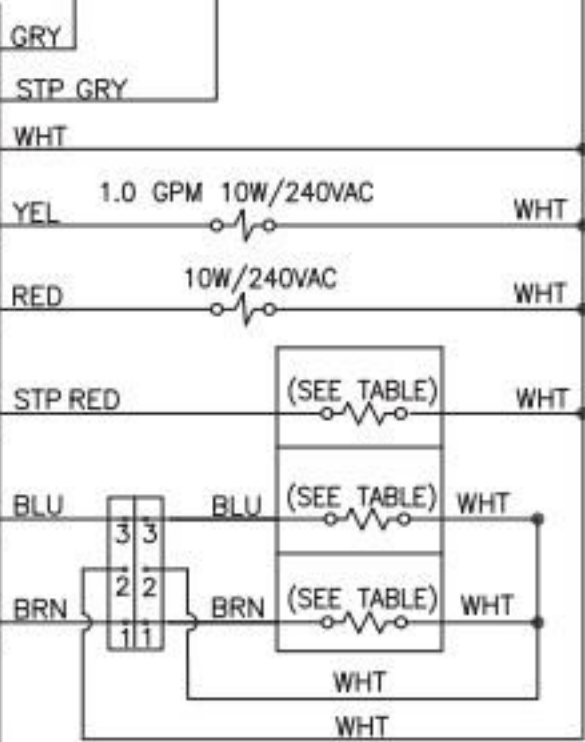
TRIAC PIN ASSIGNMENTS



WATER LEVEL
PROBE ASSY



UNIVERSAL CONTROL MODULE 220VAC 5W



WHT INLET VALVE

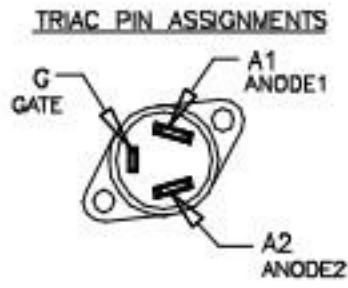
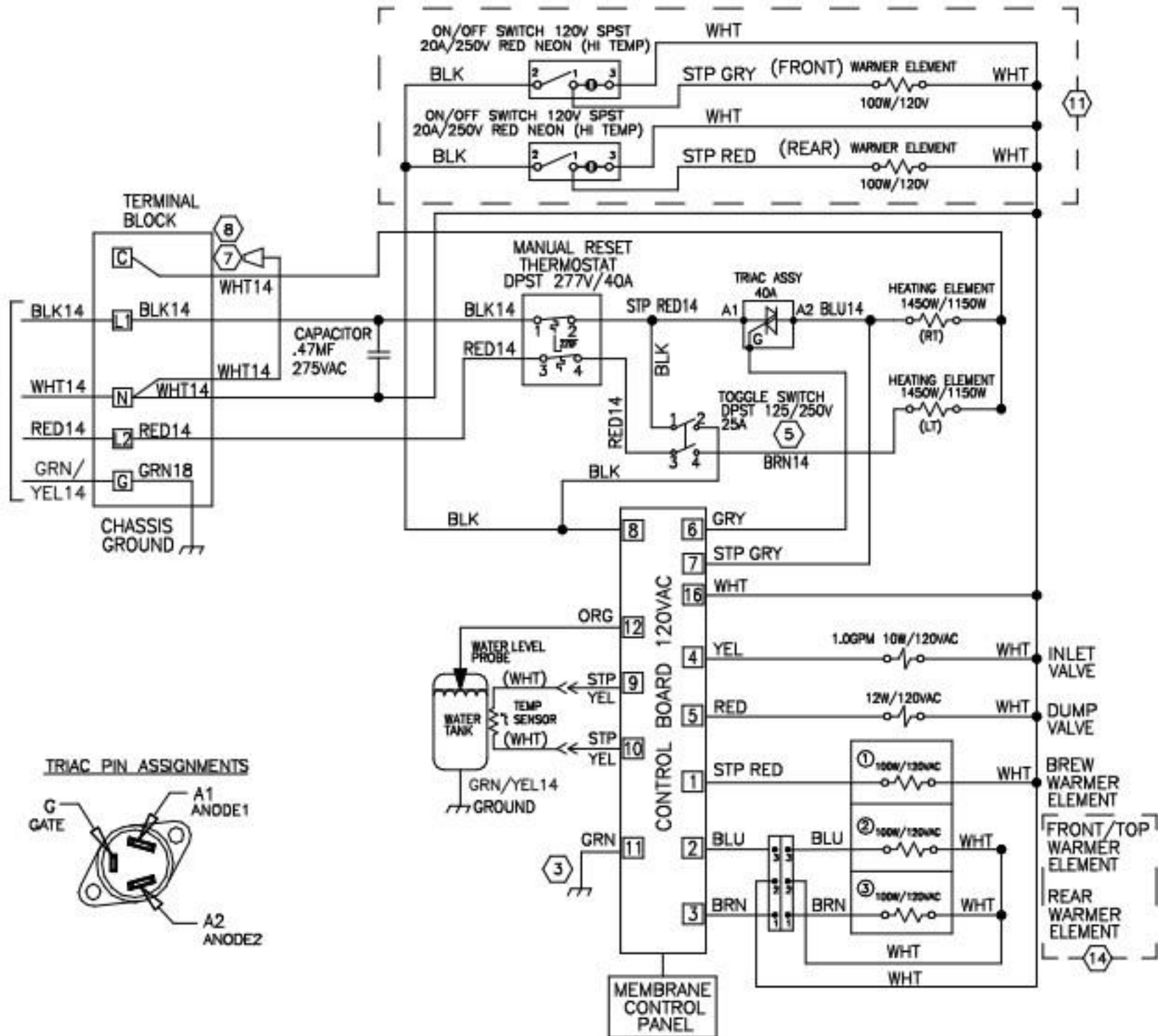
WHT BREW VALVE

WHT BREW WARMER ELEMENT

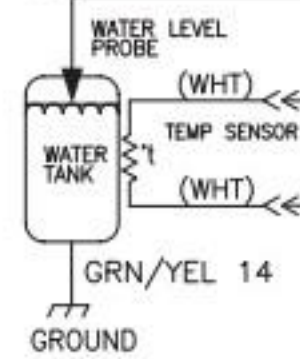
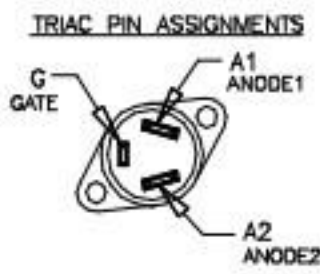
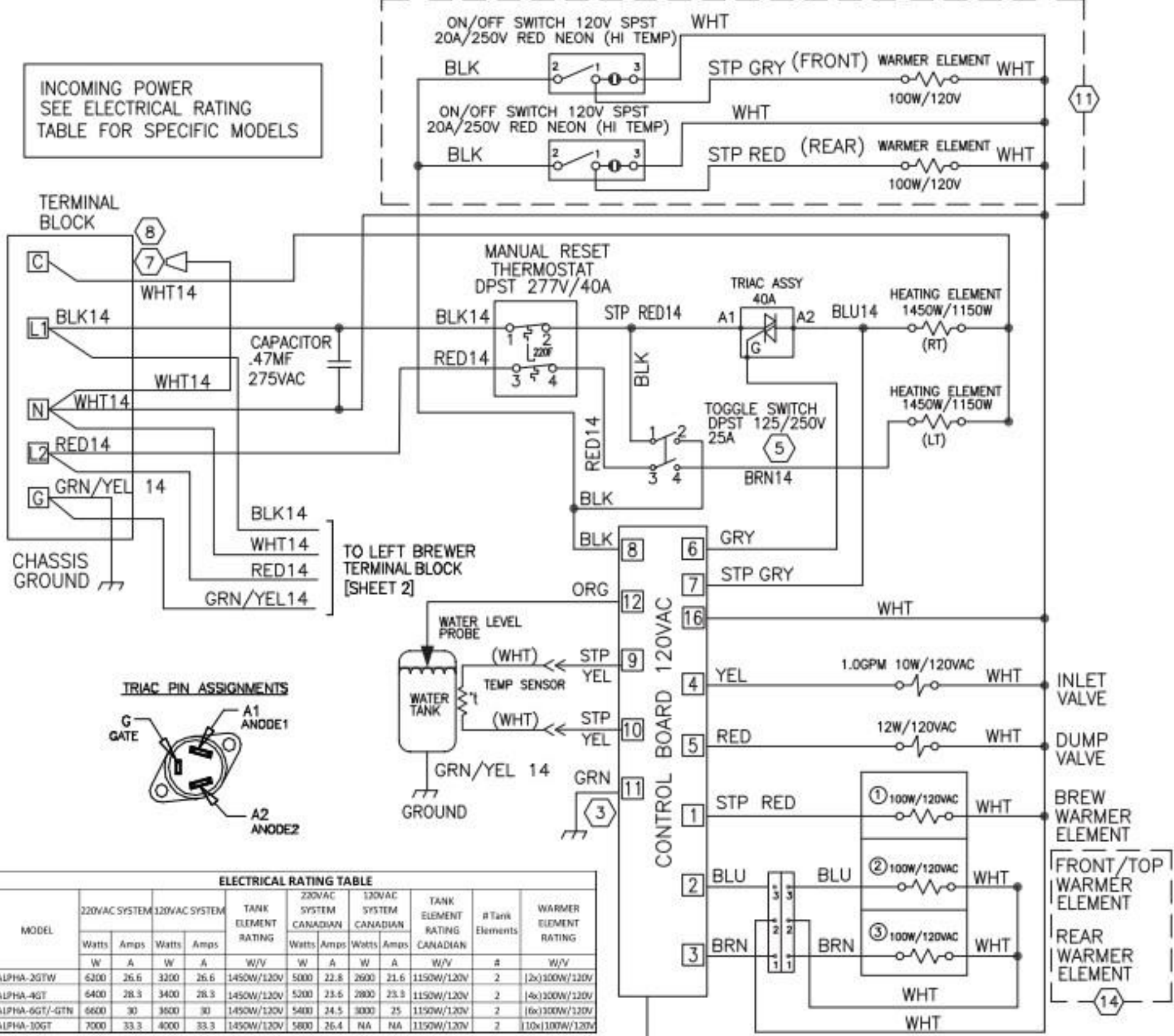
WHT FRONT/TOP WARMER ELEMENT

WHT REAR WARMER ELEMENT

FROM RIGHT BREWER
TERMINAL BLOCK
[SHEET 1]



INCOMING POWER
SEE ELECTRICAL RATING
TABLE FOR SPECIFIC MODELS



ELECTRICAL RATING TABLE

MODEL	220VAC SYSTEM		120VAC SYSTEM		TANK ELEMENT RATING	220VAC SYSTEM CANADIAN		120VAC SYSTEM CANADIAN		TANK ELEMENT RATING CANADIAN	# Tank Elements	WARMER ELEMENT RATING	
	Watts		Amps			W/V	Watts		Amps				
	W	A	W	A			W	A	W				A
ALPHA-2GTW	6200	26.6	3200	26.6	1450W/120V	5000	22.8	2600	21.6	1150W/120V	2	(2x)100W/120V	
ALPHA-4GT	6400	28.3	3400	28.3	1450W/120V	5200	23.6	2800	23.3	1150W/120V	2	(4x)100W/120V	
ALPHA-6GT/-GTN	6600	30	3600	30	1450W/120V	5400	24.5	3000	25	1150W/120V	2	(6x)100W/120V	
ALPHA-10GT	7000	33.3	4000	33.3	1450W/120V	5800	26.4	NA	NA	1150W/120V	2	(10x)100W/120V	

MEMBRANE CONTROL PANEL

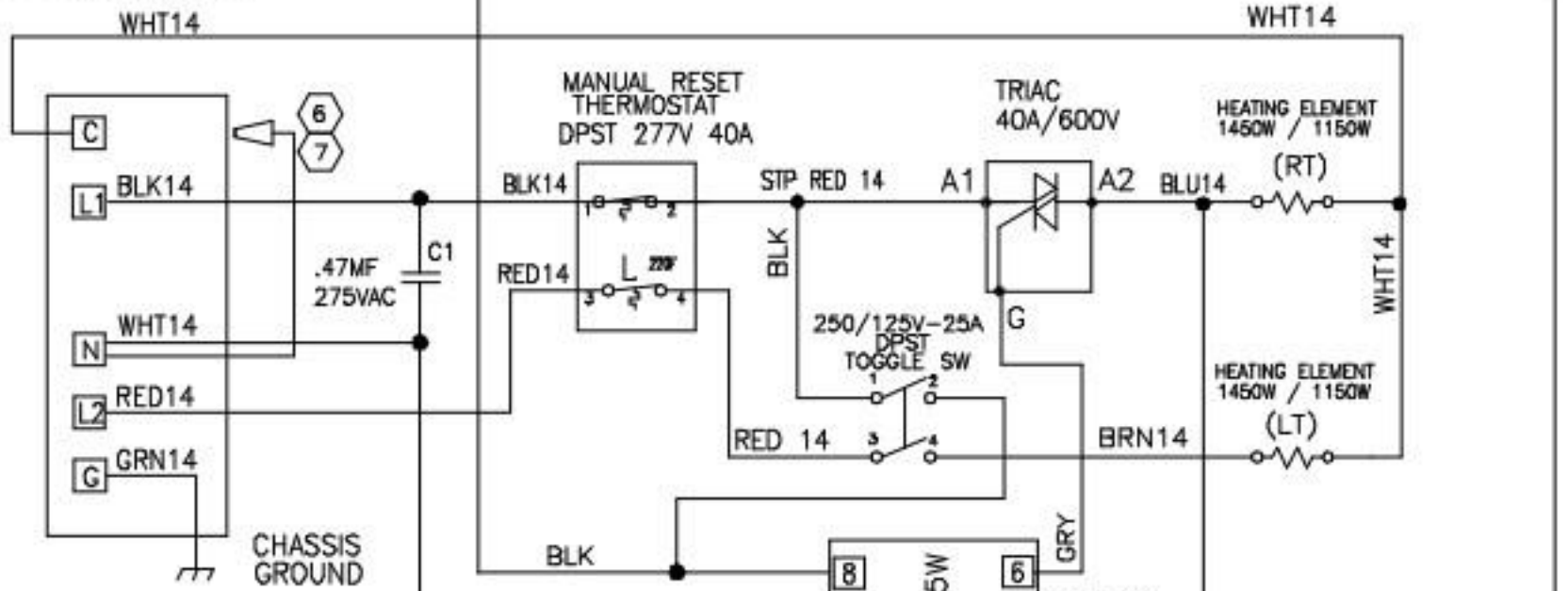
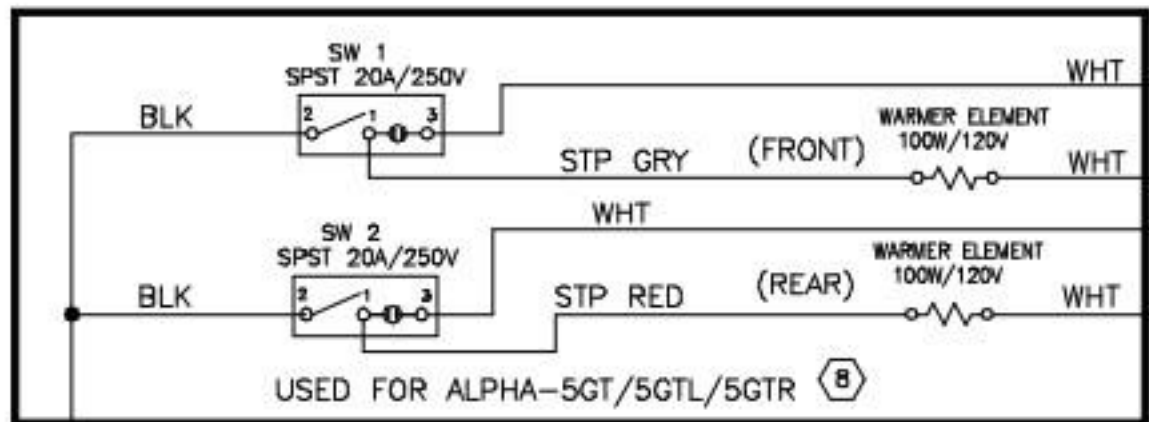
UCM Pin Assignments
16 Pin Connector

1	BREW WARMER
---	-------------

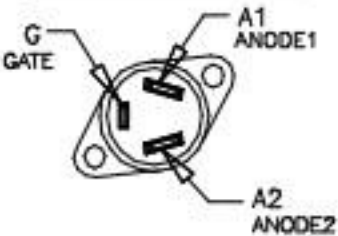
POWER SUPPLY
 DUAL VOLTAGE
 120/220VAC
 1-PH, 50/60HZ
 2W/3W+G

(SEE TABLE FOR
 ELEC RATING
 PER MODEL)

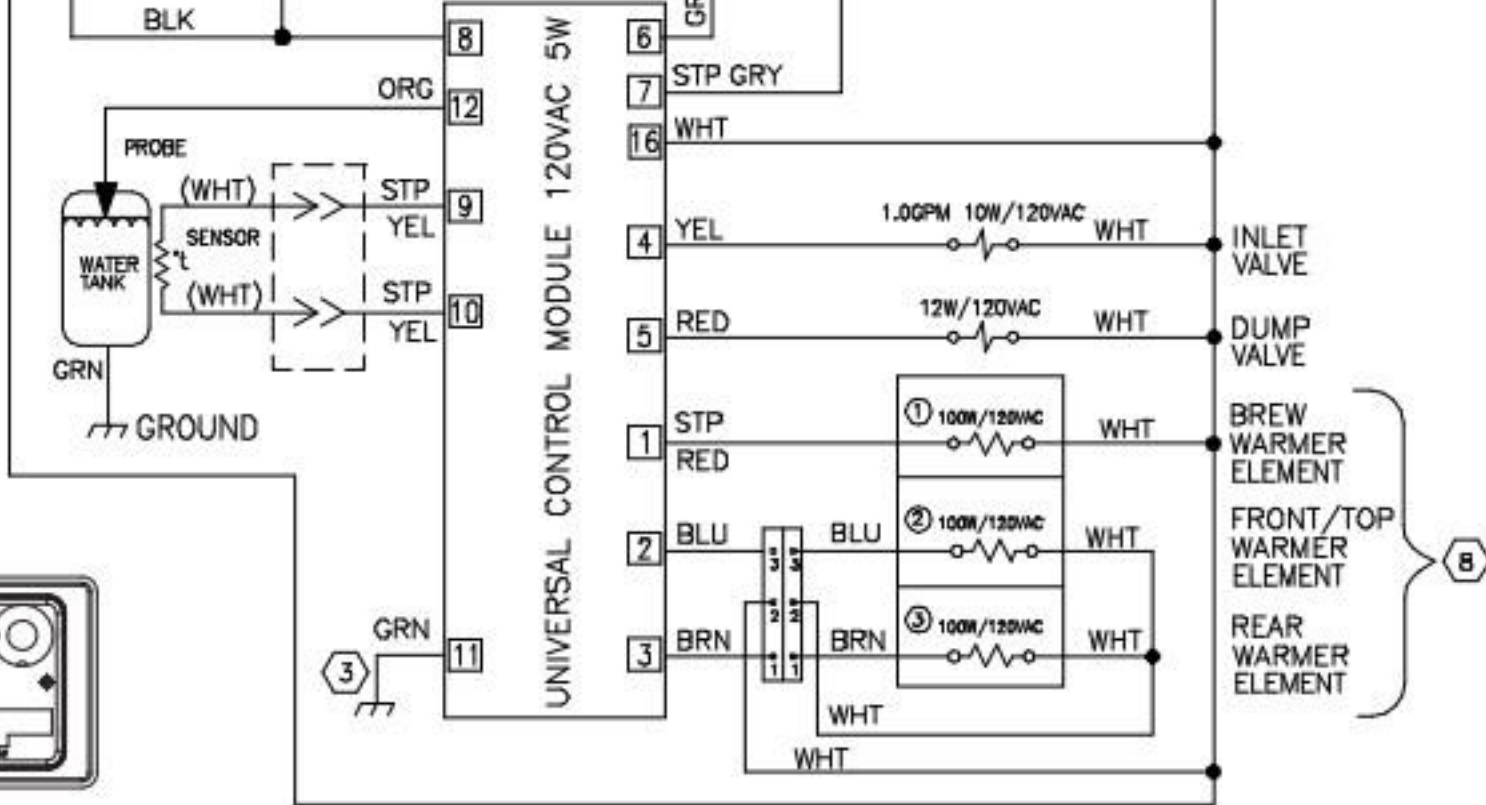
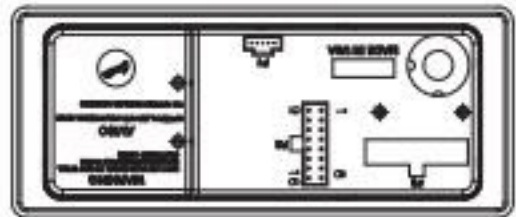
TERMINAL BLOCK
 5 STA 50A/600V



TRIAC PIN ASSIGNMENTS



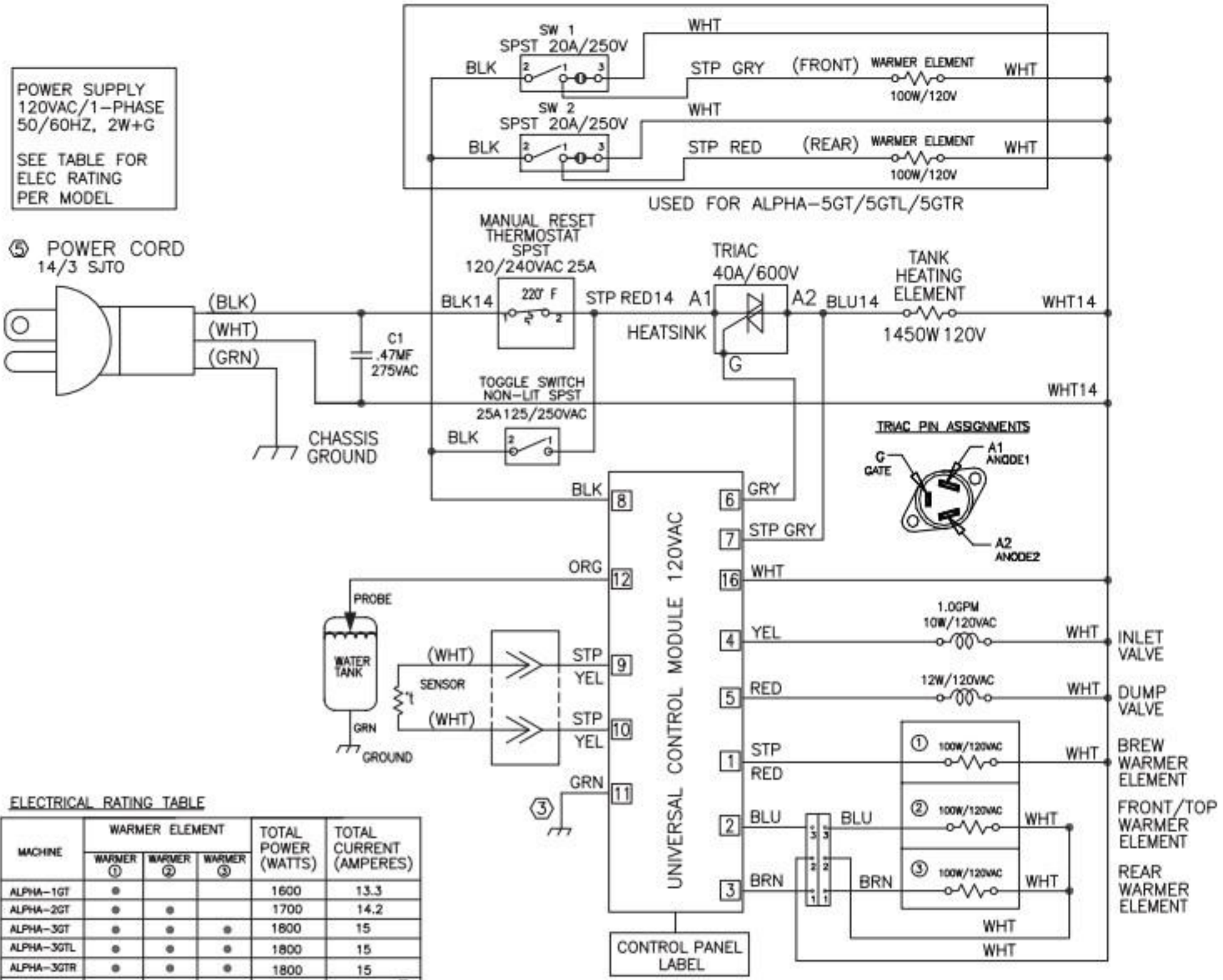
LEGEND



POWER SUPPLY
120VAC/1-PHASE
50/60HZ, 2W+G

SEE TABLE FOR
ELEC RATING
PER MODEL

⑤ POWER CORD
14/3 SJTO



ELECTRICAL RATING TABLE

MACHINE	WARMER ELEMENT			TOTAL POWER (WATTS)	TOTAL CURRENT (AMPERES)
	WARMER ①	WARMER ②	WARMER ③		
ALPHA-1GT	●			1600	13.3
ALPHA-2GT	●	●		1700	14.2
ALPHA-3GT	●	●	●	1800	15
ALPHA-3GTL	●	●	●	1800	15
ALPHA-3GTR	●	●	●	1800	15
ALPHA-5GT	●	●	●	1950	16.3 ⑤