

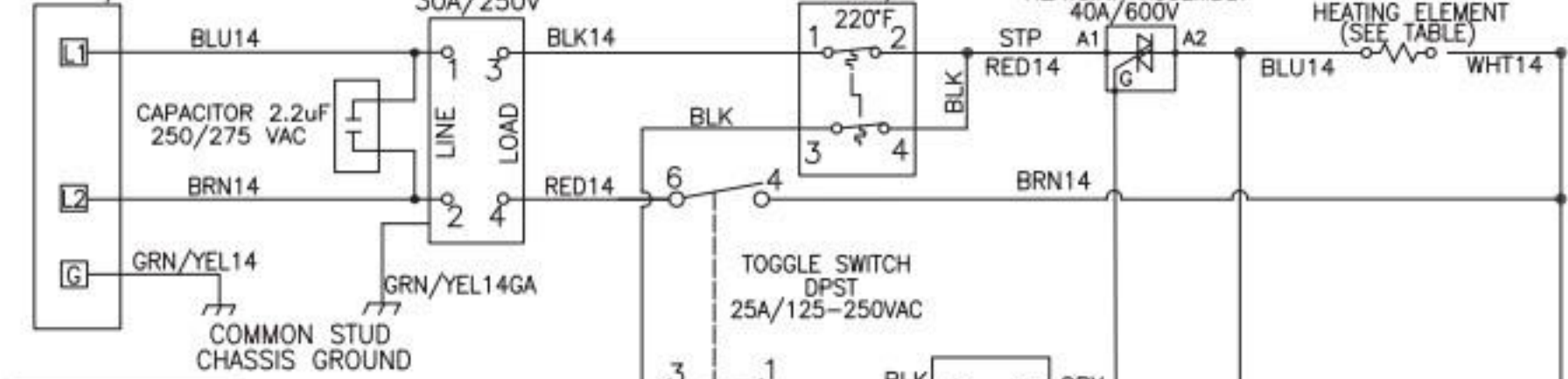
POWER BLOCK
57-65A/300-450V

EMI FILTER
30A/250V

MANUAL RESET
THERMOSTAT
DPST 40A/277V

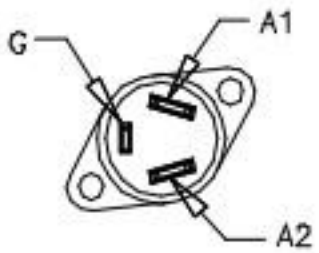
TRIAC
HEATSINK ASSEMBLY
40A/600V

HEATING ELEMENT
(SEE TABLE)



INCOMING POWER
220-240VAC 1PH
2W+G 50/60Hz

TRIAC PIN ASSIGNMENTS



WATER LEVEL
PROBE ASSY

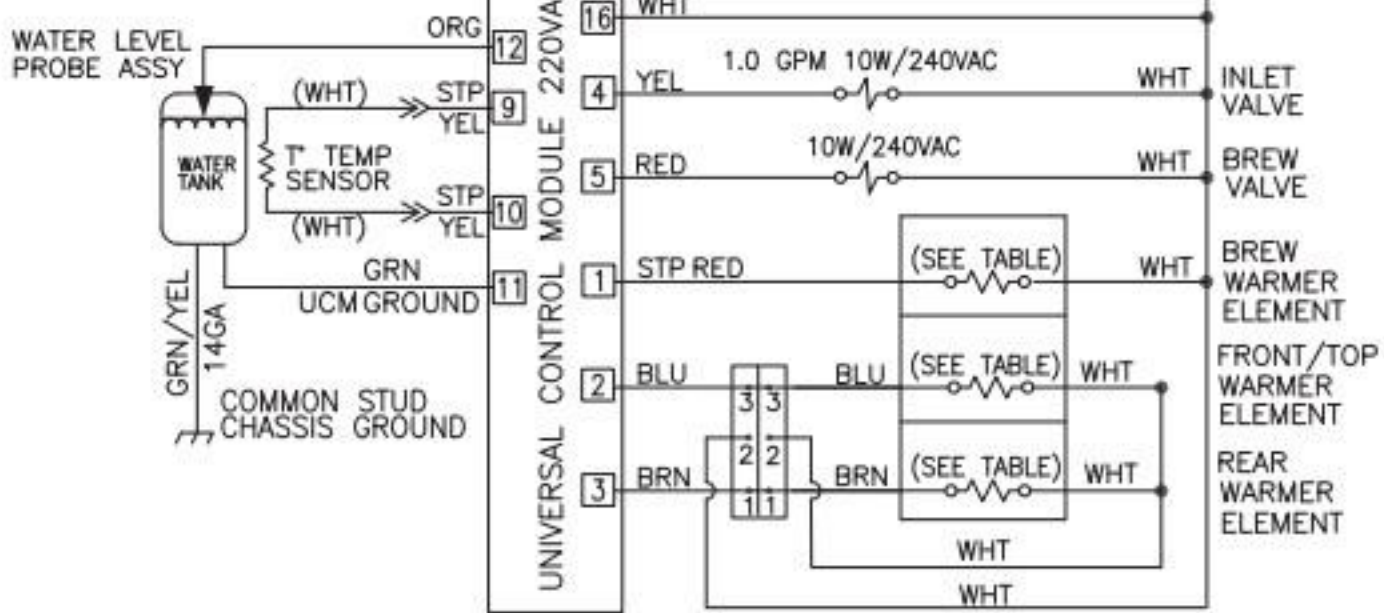
(WHT) STP YEL

T° TEMP SENSOR

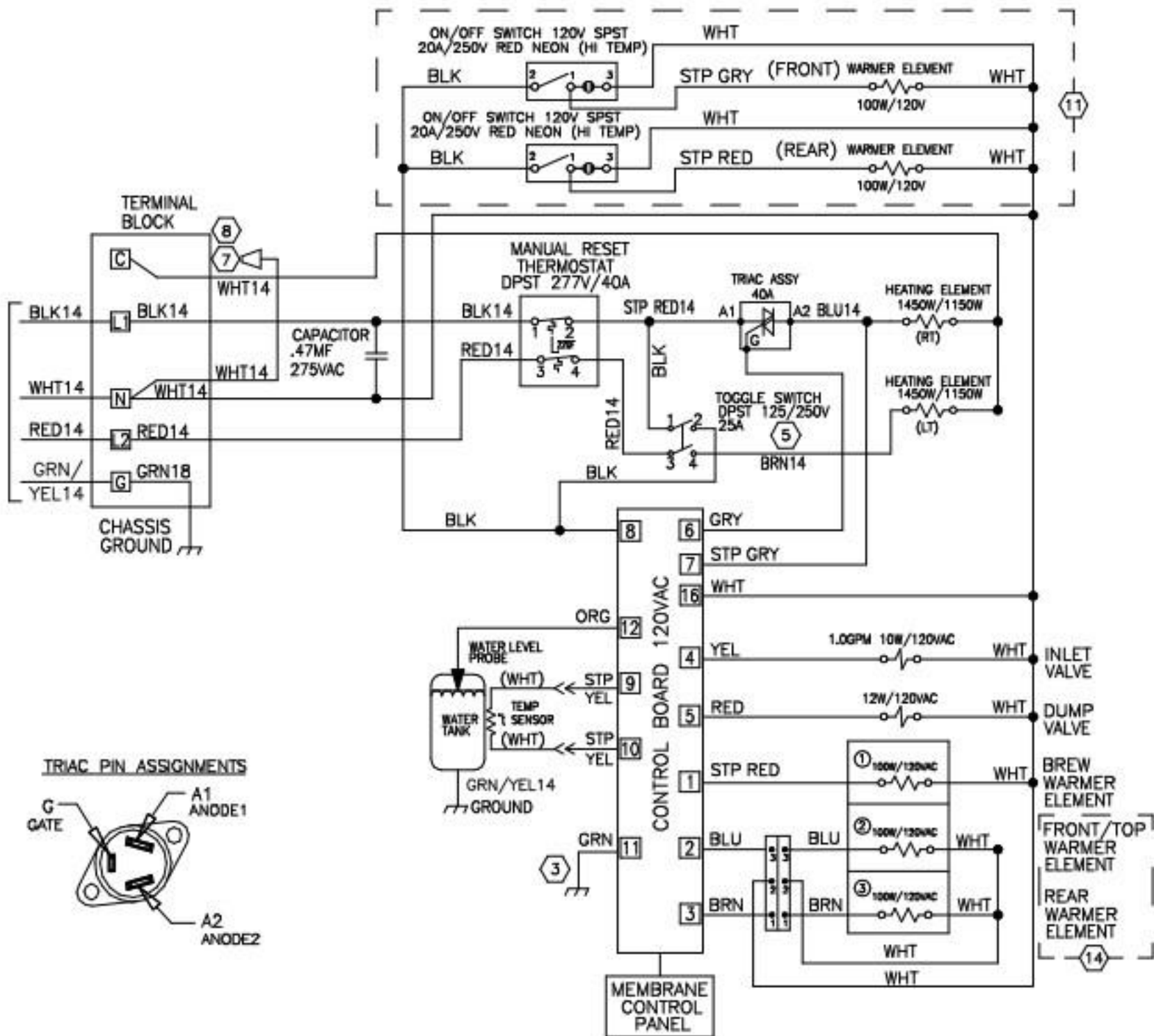
(WHT) STP YEL

GRN UCM GROUND

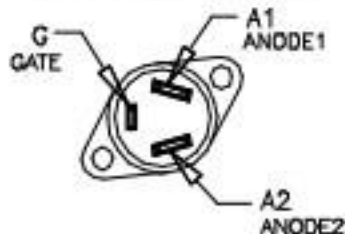
COMMON STUD
CHASSIS GROUND



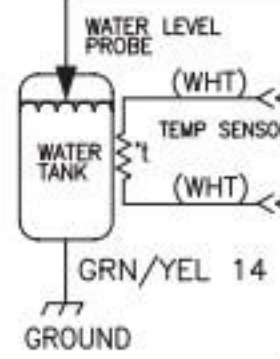
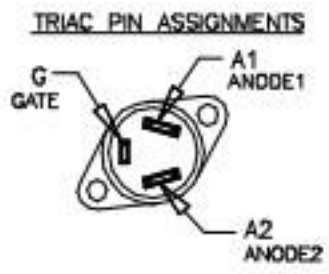
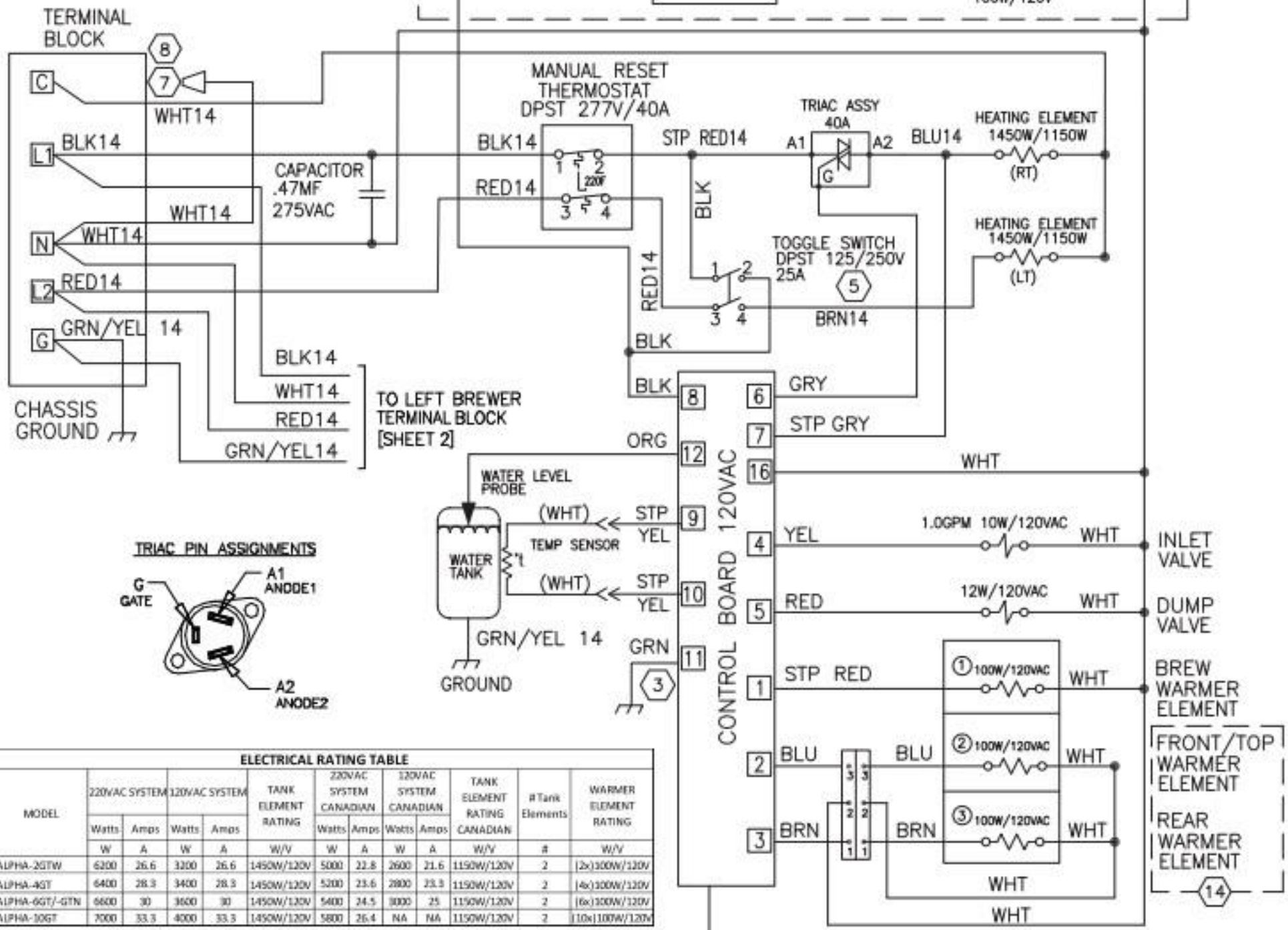
FROM RIGHT BREWER
TERMINAL BLOCK
[SHEET 1]



TRIAC PIN ASSIGNMENTS



INCOMING POWER
SEE ELECTRICAL RATING
TABLE FOR SPECIFIC MODELS



ELECTRICAL RATING TABLE

MODEL	220VAC SYSTEM		120VAC SYSTEM		TANK ELEMENT RATING	220VAC SYSTEM CANADIAN		120VAC SYSTEM CANADIAN		TANK ELEMENT RATING CANADIAN	# Tank Elements	WARMER ELEMENT RATING	
	Watts		Amps			W/V	Watts		Amps				
	W	A	W	A			W	A	W				A
ALPHA-2GTW	6200	26.6	3200	26.6	1450W/120V	5000	22.8	2600	21.6	1150W/120V	2	12x)300W/120V	
ALPHA-4GT	6400	28.3	3400	28.3	1450W/120V	5200	23.6	2800	23.3	1150W/120V	2	14x)300W/120V	
ALPHA-6GT/-GTN	6600	30	3600	30	1450W/120V	5400	24.5	3000	25	1150W/120V	2	16x)300W/120V	
ALPHA-10GT	7000	33.3	4000	33.3	1450W/120V	5800	26.4	NA	NA	1150W/120V	2	110x)100W/120V	

MEMBRANE CONTROL PANEL

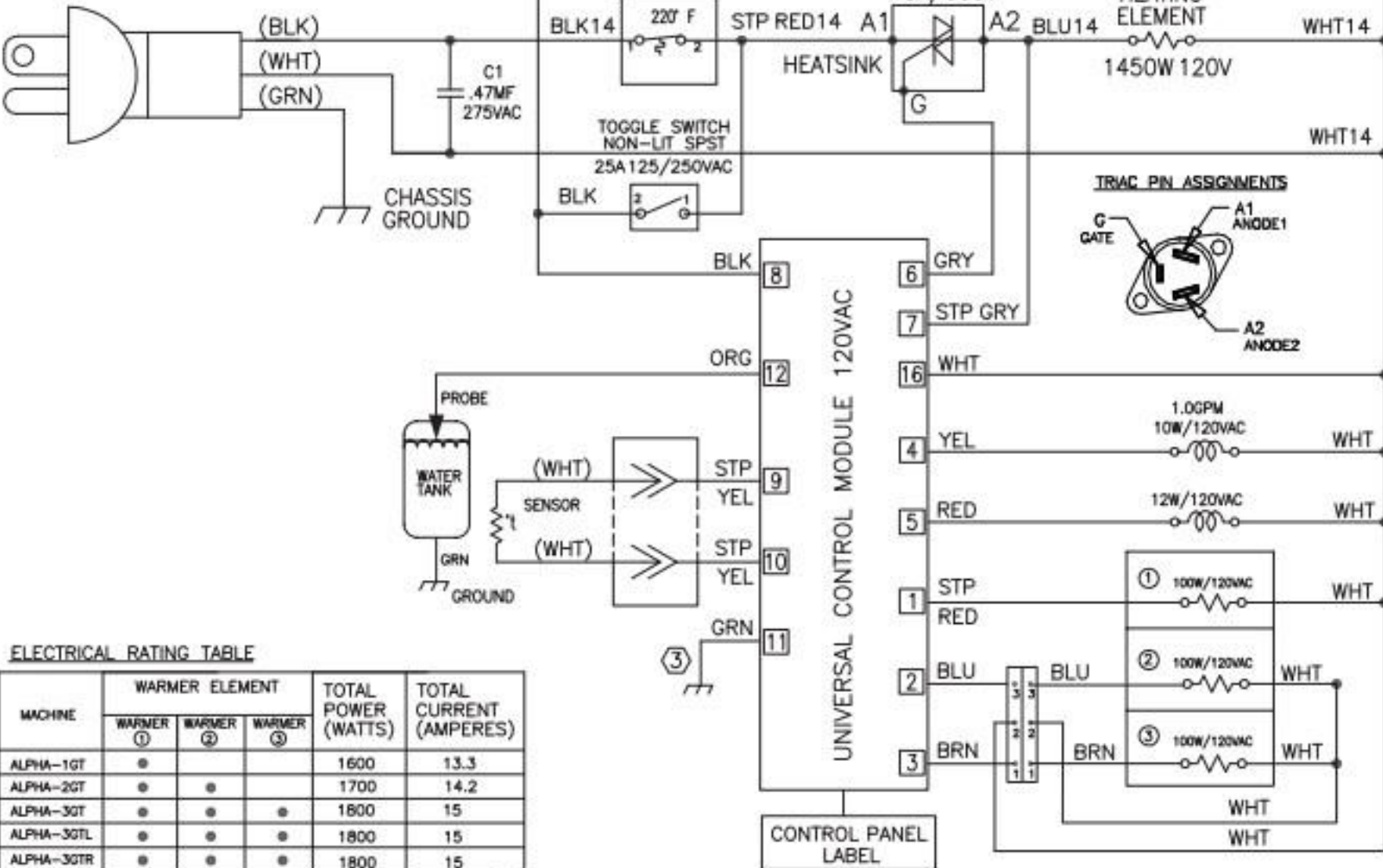
UCM Pin Assignments
16 Pin Connector

1	REFW WARMER
---	-------------

POWER SUPPLY
120VAC/1-PHASE
50/60HZ, 2W+G

SEE TABLE FOR
ELEC RATING
PER MODEL

⑤ POWER CORD
14/3 SJTO



ELECTRICAL RATING TABLE

MACHINE	WARMER ELEMENT			TOTAL POWER (WATTS)	TOTAL CURRENT (AMPERES)
	①	②	③		
ALPHA-1GT	●			1600	13.3
ALPHA-2GT	●	●		1700	14.2
ALPHA-3GT	●	●	●	1800	15
ALPHA-3GTL	●	●	●	1800	15
ALPHA-3GTR	●	●	●	1800	15
ALPHA-5GT	●	●	●	1950	16.3 ⑤