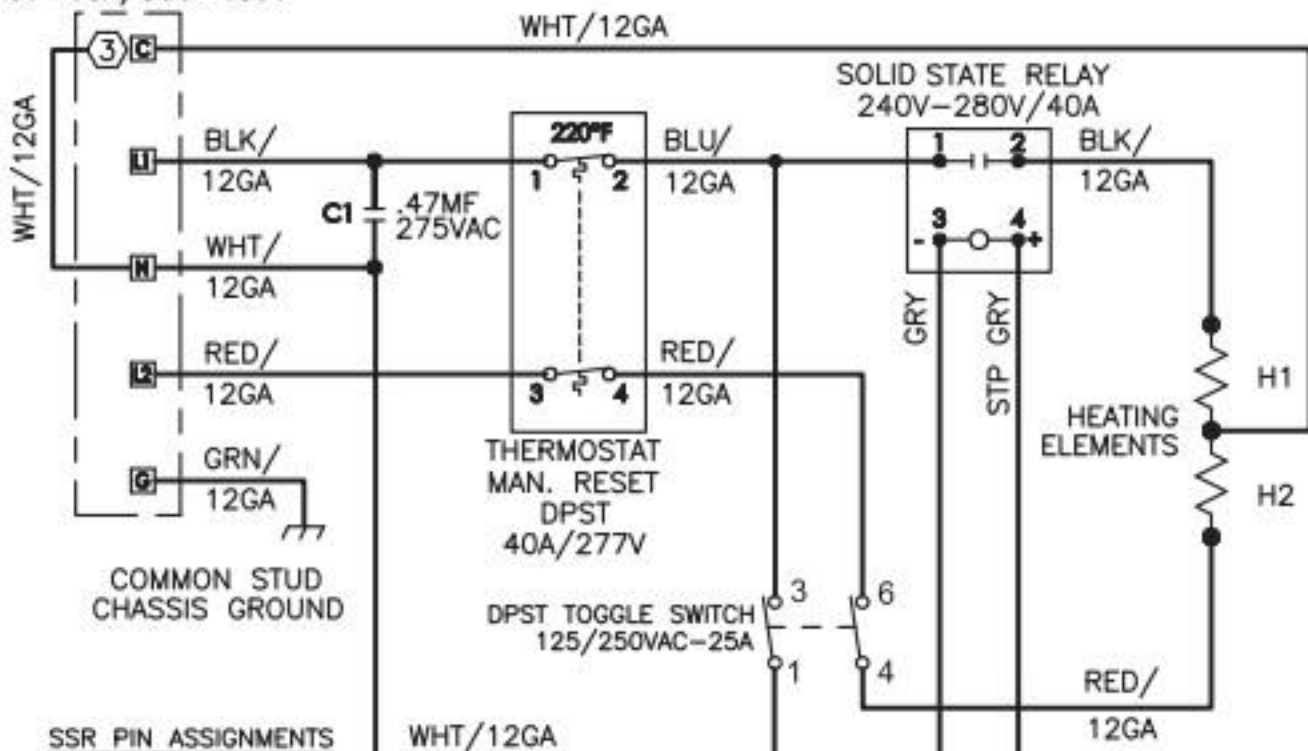
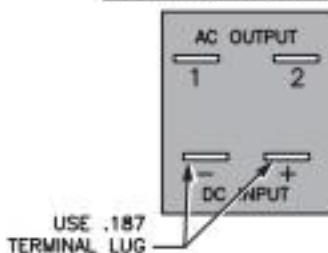


POWER BLOCK
57-65A/300-450V

WHT/12GA

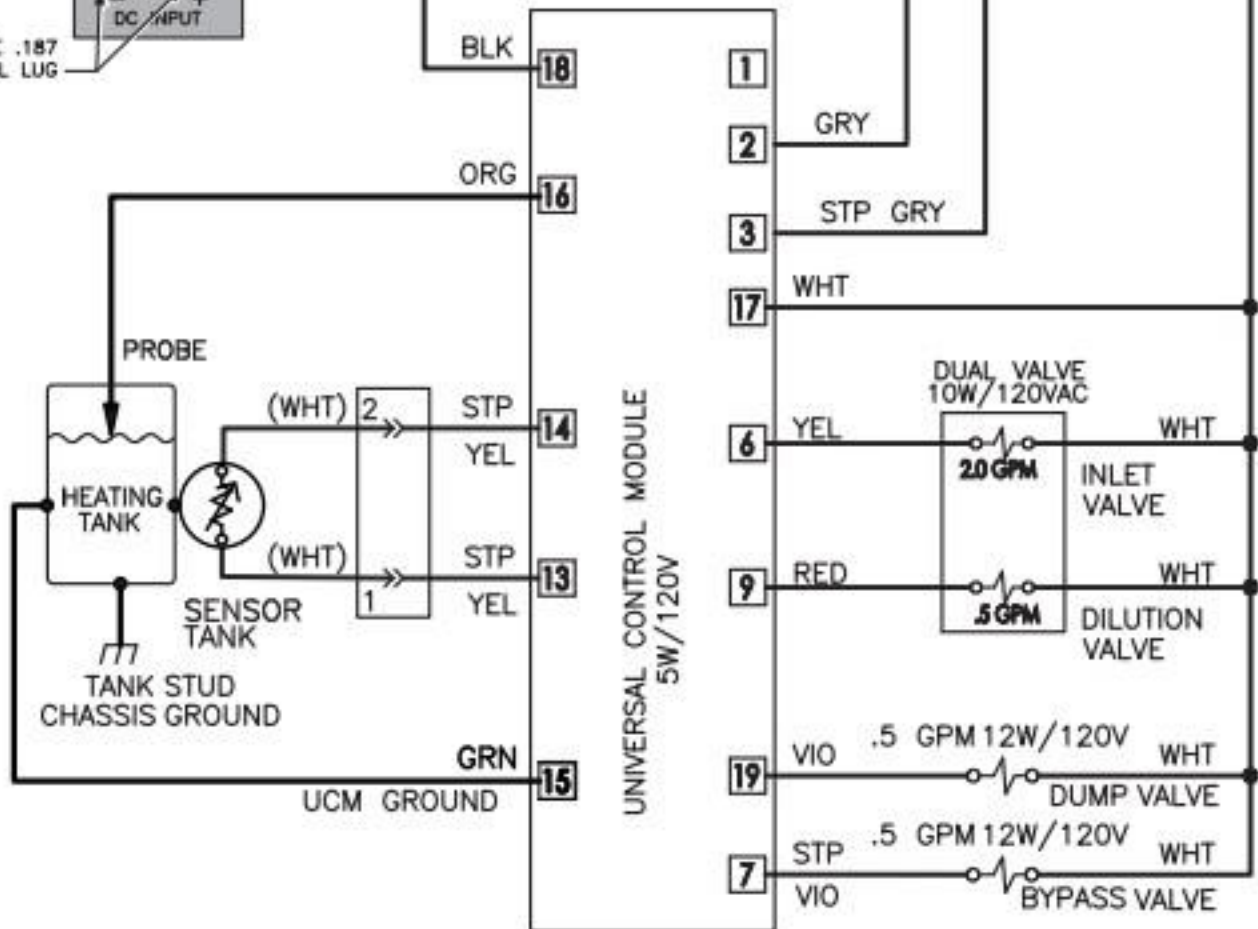


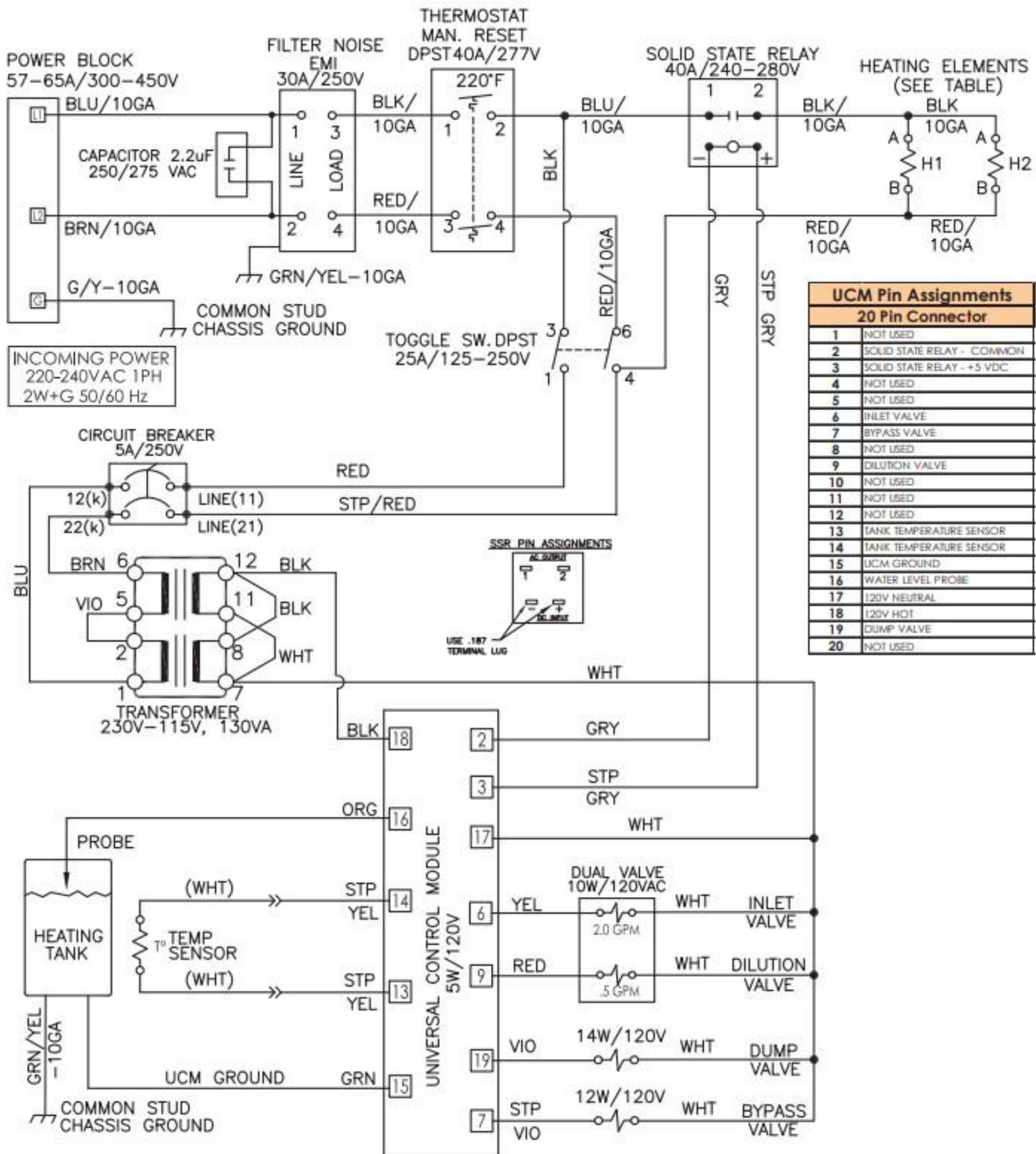
SSR PIN ASSIGNMENTS

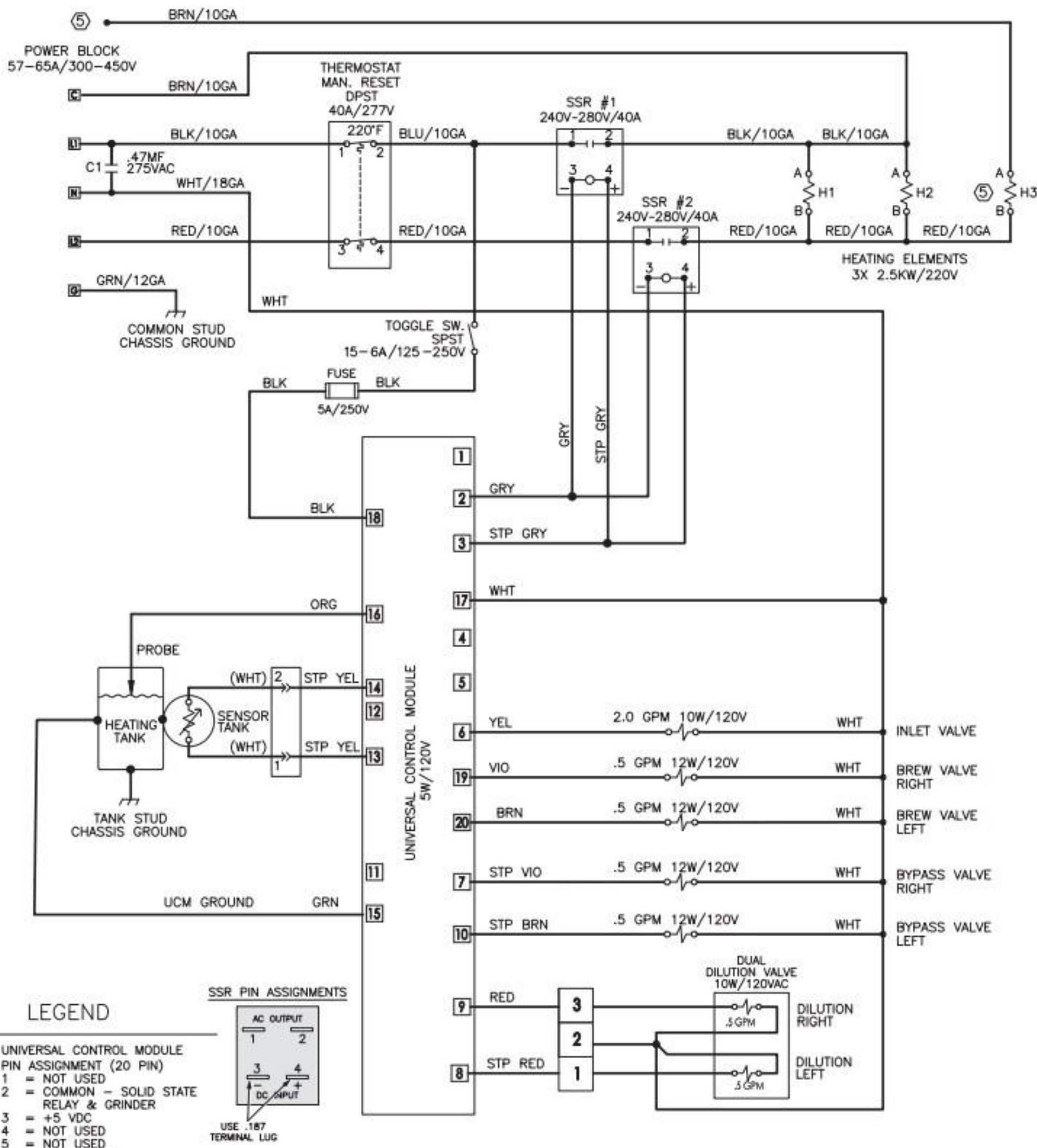


BLK FUSE BLK

5A/250V







POWER BLOCK
57-65A/300-450V

THERMOSTAT
MAN. RESET
DPST
40A/277V

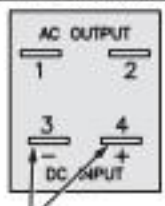
SSR #1
240V-280V/40A

SSR #2
240V-280V/40A

HEATING ELEMENTS
3X 2.5KW/220V

UNIVERSAL CONTROL MODULE
5W/120V

SSR PIN ASSIGNMENTS



LEGEND

UNIVERSAL CONTROL MODULE
PIN ASSIGNMENT (20 PIN)

- 1 = NOT USED
- 2 = COMMON - SOLID STATE RELAY & GRINDER
- 3 = +5 VDC
- 4 = NOT USED
- 5 = NOT USED