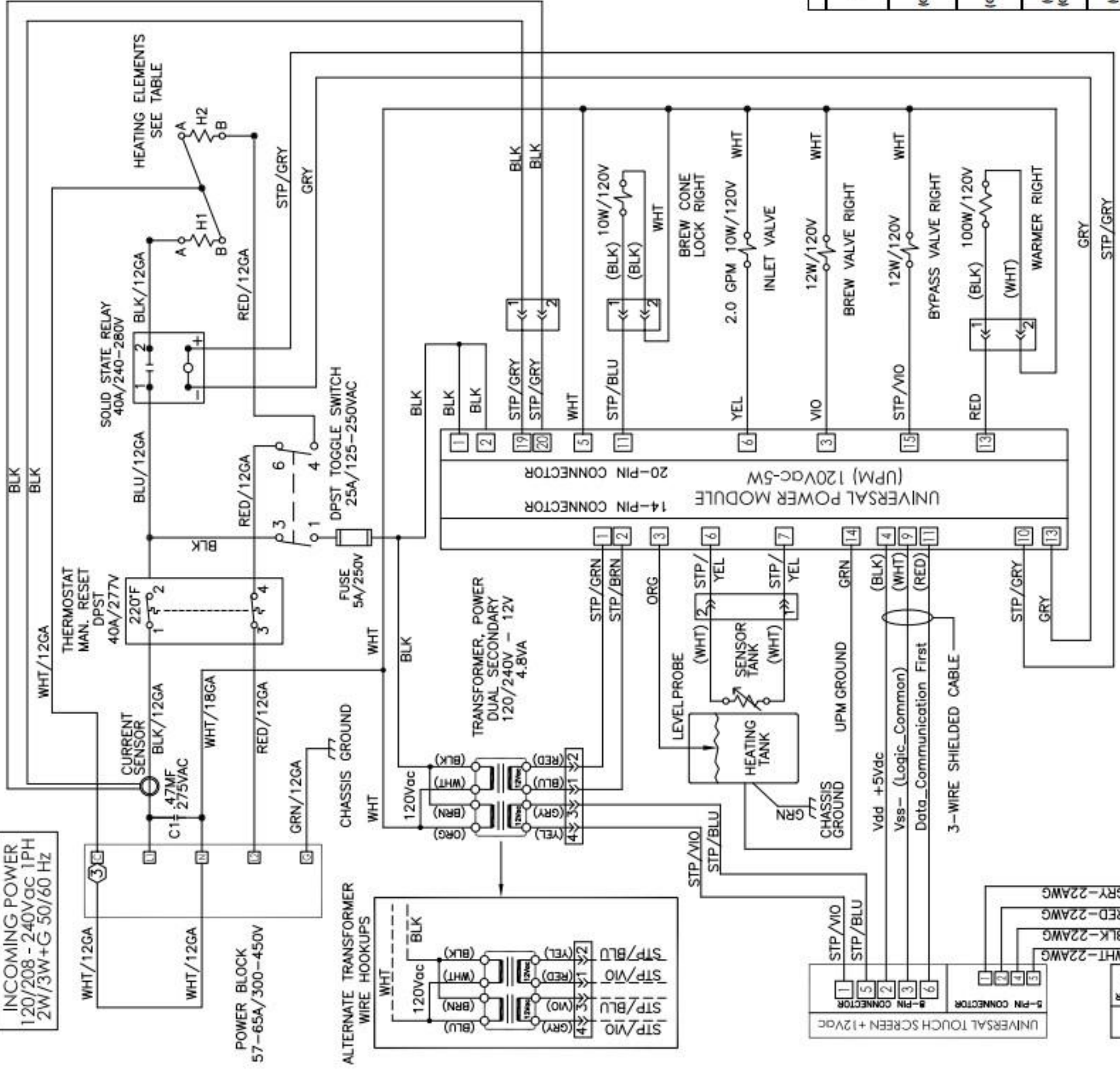


**INCOMING POWER**  
 120/208 - 240Vac 1PH  
 2W/3W+G 50/60 Hz



SSR\_PIN\_ASSIGNMENTS

