

FEMALE IF
CONNECTOR
220-240Vac



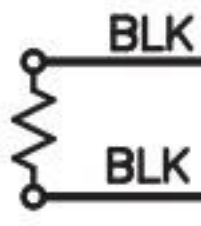
WHT-18GA

BLK-18GA

GRN-18GA

GROUND

WARMER ELEMENT
220Vac-75W



RED

BLK-18GA

WHT-18GA

RED

WHT-22GA

STP ORG-22GA

BLU-22GA

TEMP
SENSOR

WHT-22GA



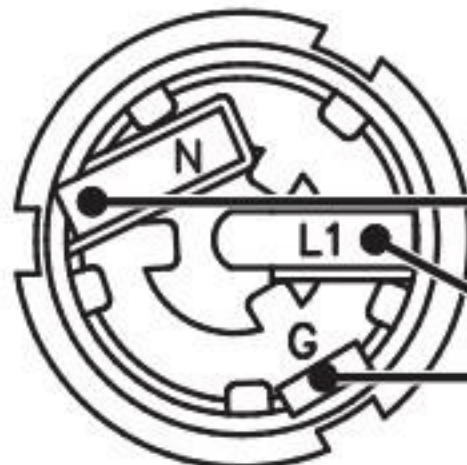
LED 5mm - RED 1.8Vdc

or

LED 5mm - GREEN 1.9Vdc

CONTROL MODULE, UPM 220V

FEMALE IF
CONNECTOR
110-120Vac



WHT-18GA

BLK-18GA

GRN-18GA

CHASSIS
GROUND

WARMER ELEMENT
120Vac-75W



BLK-18GA
WHT-18GA

STP ORG-22GA

BLU-22GA

WHT-28GA

WHT-28GA

TEMP
SENSOR

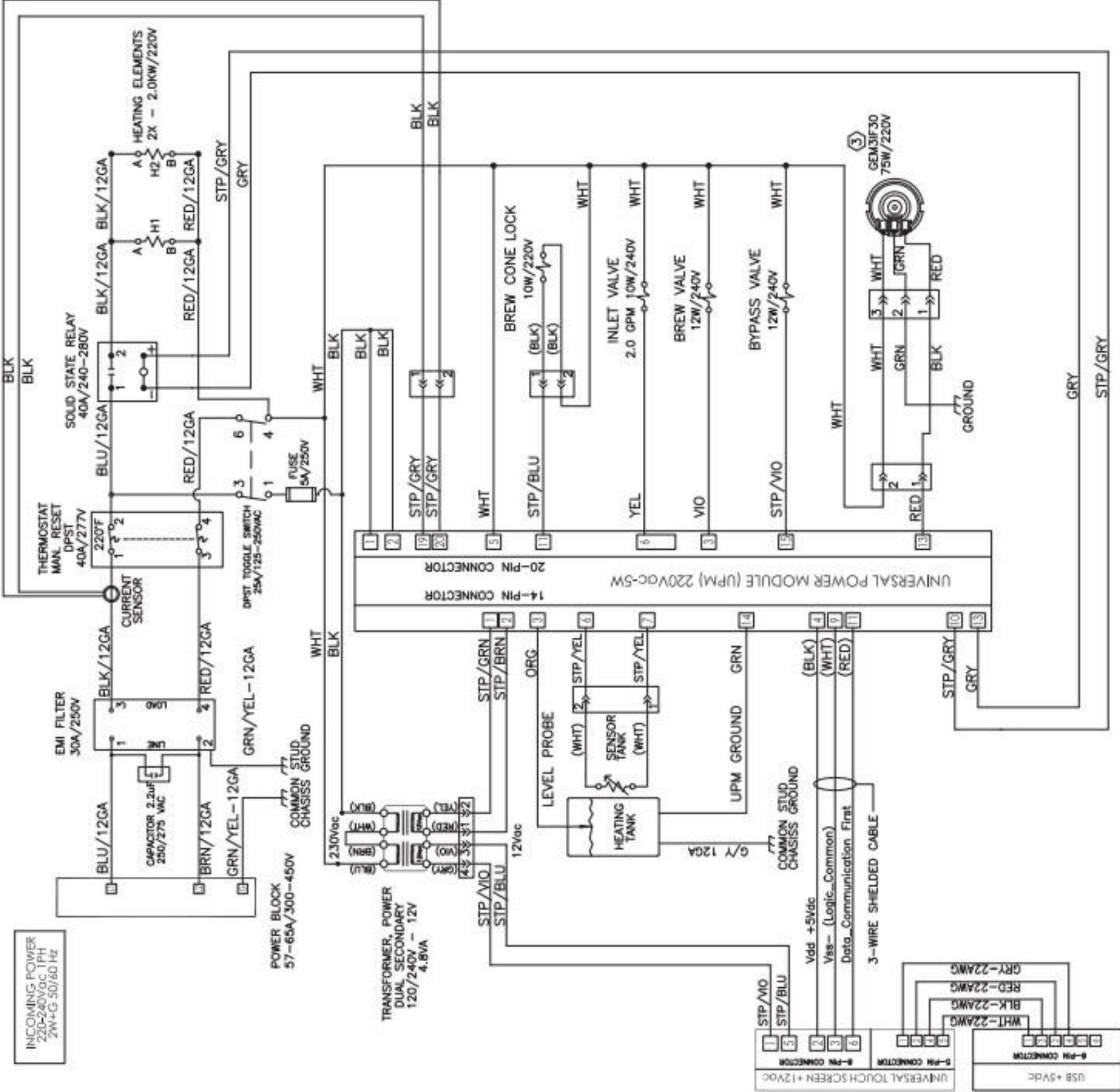


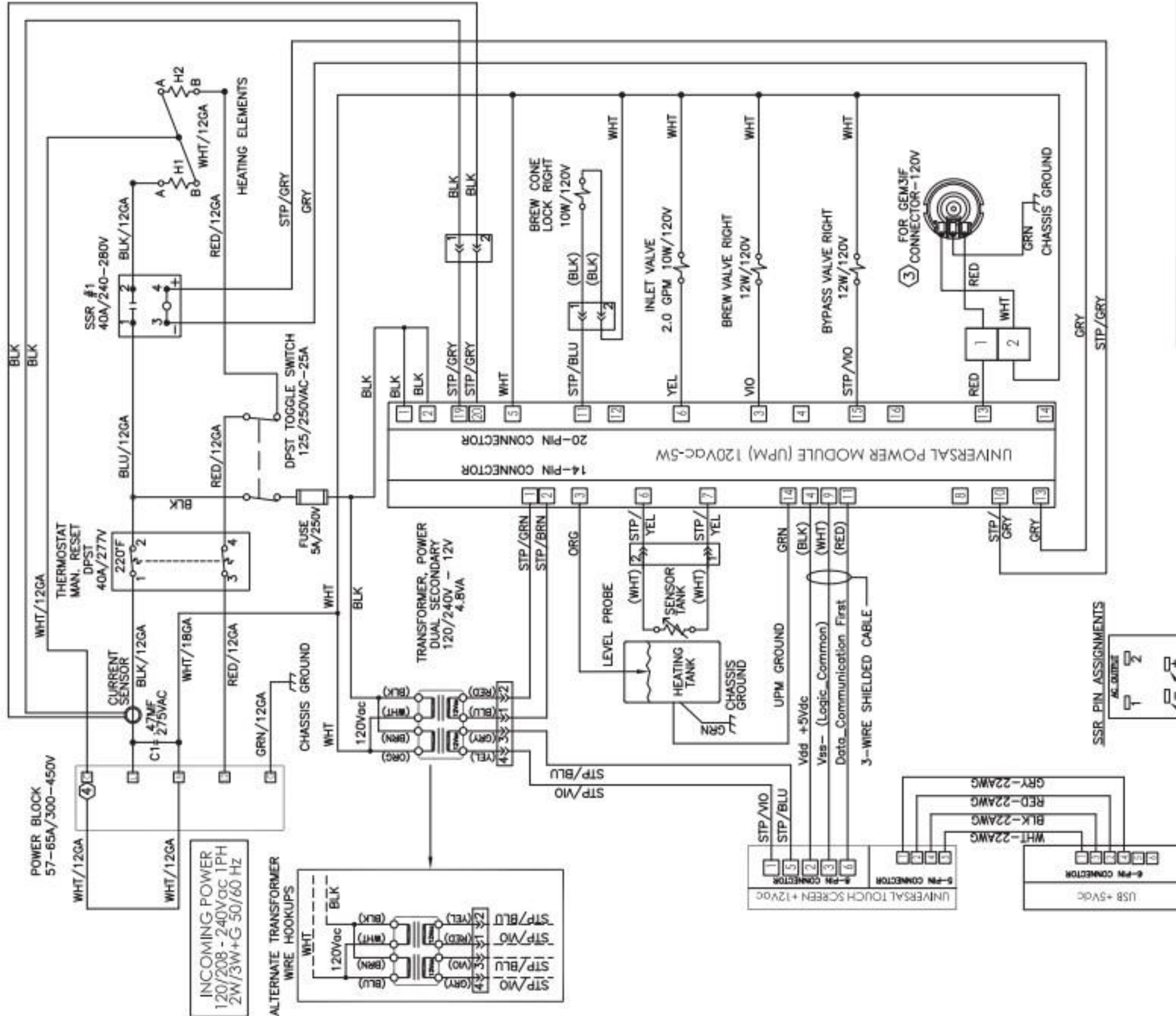
LED 5mm - RED 1.8Vdc
or
LED 5mm - GREEN 1.9Vdc

CONTROL MODULE
UPM 120V

Pin Assignments

1	120V HOT
2	120V NEUTRAL
3	120V GROUND
4	TEMP SENSOR
5	WARMER ELEMENT
6	WARMER ELEMENT
7	LED (+)
8	LED (-)





REVISIONS

NO.	DATE	BY	DESCRIPTION
1			

TITLE: LADDER DIAGRAM

PART NUMBER:

