



G3 GEMINI® INTELLIFRESH® BREWER

TROUBLESHOOTING GUIDE

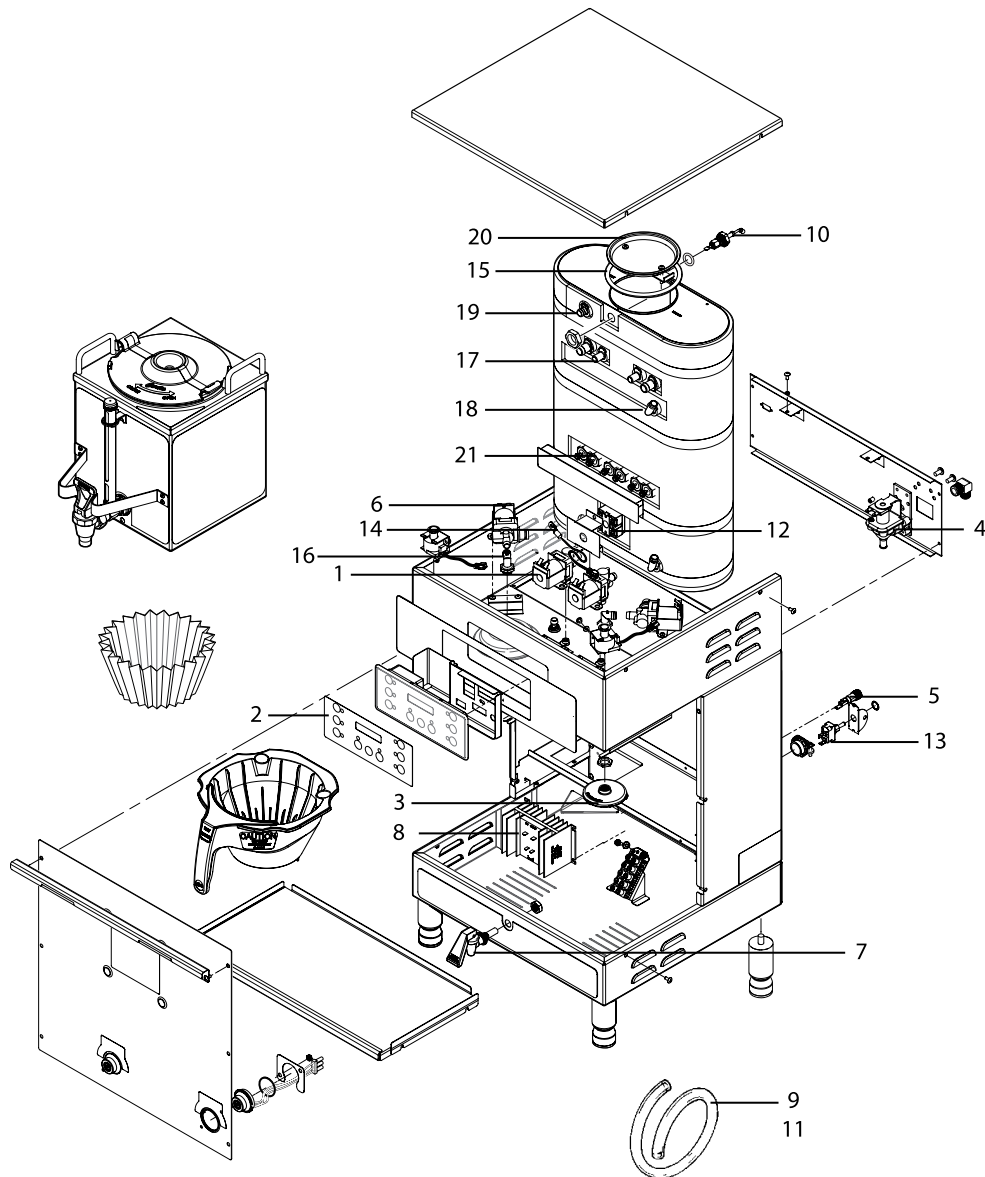


GEMTIF10A1000
G3 Twin 1.5 Gallon Satellite Brewer
with IntelliFresh®



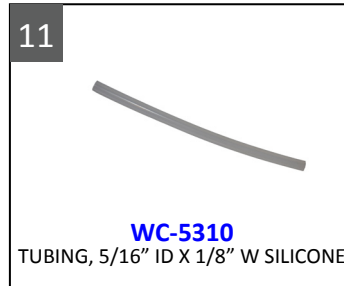
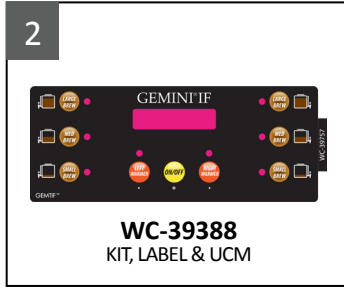
GEMSIF10A1000
G3 Single 1.5 Gallon Satellite Brewer
with IntelliFresh®

BREWER PARTS IDENTIFICATION



PART #	DESCRIPTION	PART #	DESCRIPTION
1. WC-844-101	VALVE, ADJ BY-PASS	12. WC-522	THERMOSTAT, RESET
2. WC-37388	KIT, LABEL & UCM	13. WC-102	SWITCH, TOGGLE 125/250VAC RST
3. WC-29050	SPRAY HEAD ASSY, ADVANCED FLOW	14. WC-1438-101	SENSOR, HEATING TANK
4. WC-847	VALVE, WATER INLET 2GPM 120V 10W	15. WC-43067	O'RING 4.5" ID SILICONE
5. WC-1501	FUSE HOLDER W/5A FUSE	16. WC-2977-101K	KIT, SPRAY HEAD FITTING ULTEM
6. WC-37121	KIT, DUMP VALVE LEFT	17. WC-37317	9MM STRAIGHT FITTING
7. WC-1809	FAUCET, PS/HPS SERIES HOT WATER	18. WC-37365	INLET FITTING
8. WC-8559	RELAY, SOLID STATE 40A W/HEAT SINK	19. WC-37266	OVERFLOW FITTING
9. WC-5350	TUBE, ½ ID x 1/8W SILICONE	20. WC-37008	KIT, TANK LID ROUND
10. WC-5527K	KIT, PROBE, ASSY WATER LEVEL	21. WC-934-04	ELEMENT, HEATING 2.5 KW 220V W/JAM NUTS
11. WC-5310	TUBING, 5/16" ID X 1/8" W SILICONE		

PARTS IMAGES



TROUBLESHOOTING INSTRUCTIONS

HEATING ISSUES

Not heating:

LCD reads "Heating"

- 1 Verify 220 volts between L1-L2 on the power block. If yes, proceed to #2. If no, verify that the unit is plugged in correctly, and the panel breaker is turned on.
- 2 Verify 220 volts between #2 & #4 on the Manual Reset Thermostat. If yes, proceed to #3, if no, reset or replace the Manual Reset Thermostat.
- 3 Verify 220 volts across the Toggle Switch. If yes, proceed to #4. If no, replace the toggle switch.
- 4 Verify 220 volts across the Heating Elements. If yes, proceed to #5. If no, verify 5 VDC on the SSR. If yes, replace the Solid State Relay, if no, replace the UCM.
- 5 Verify 19 ohm across each active Heating Element, and replace any Heating Element that reads "OPEN".

Overheating:

LCD reads "Heating"

Verify that the resistance on the Temperature Sensor is less than 10k ohms with a hot tank (200+ degrees) If no, verify correct mounting and that the walls of the tank are free of mineral deposits. If yes, bypass the sensor using a jumper with a 5k ohm resistor. If the LCD reads "ready" and the unit stops heating, replace the temperature sensor, if not, replace the UCM.

LCD reads "Ready to Brew"

Check the A.C. side of the SSR for continuity. if continuity is present, replace the SSR, if no continuity, replace UCM.

TANK FILLING ISSUES

Not filling:

Is the water turned on?

- Yes: Verify 120 volts at inlet valve coil
- Yes: Replace Inlet Valve
- No: Remove Orange wire from the Water Level Probe. Does the Tank Fill?
- Yes: Replace Water Level Probe
- No: Replace UCM

Overfilling:

Does the tank continue to fill after the toggle switch has been turned off ?

- Yes: Replace Water Inlet Valve
- No: Remove the Orange wire from the Water Level Probe and connect it to ground. Does the tank stop filling?
- Yes: Replace the Water Level Probe
- No: Replace the UCM

BREWING ISSUES

LCD does not read “Brewing”

If the LCD reads “Ready to Brew” and no response when Brew Button is pressed, replace the UCM.

LCD reads “Brewing”

No water flow from the spray head:

Does water flow from the hot water faucet?

If yes, verify 120 volts at the dump valve coil.

If voltage is present at the dump valve coil, replace the dump valve.

If 120 volts is not present at the dump valve coil, confirm continuity of wiring between molex connector and Dump Valve.

If yes, replace the UCM. (Verify the resistance on the dump valve coil to be open in one direction, and under 2k ohm in the other direction BEFORE REPLACING THE UCM).

If water does not flow from the hot water faucet, replace the Water Level Probe.

*Ensure correct alignment of the spray head fitting and that the tubing is routed properly to allow for maximum water flow.

*Ensure that the spray head is free of mineral deposits, in good repair, and properly connected.

Short Pots:

Verify that the Dump Valve outlet fitting on the tank, the tubing between the tank outlet and the spray head fitting, the spray head, and Dump Valve are clear of obstructions.

Ensure correct alignment of the spray head fitting and that the tubing is routed properly to allow for maximum water flow.

Verify that the Hot Water Tank is filling correctly. If not, replace the Water Level Probe.

If all the above are okay, replace the Dump Valve.

Overflowing the Pots:

Ensure that the spray head has not been removed. Replace as needed.

Ensure that the Hot Water Tank is not overflowing (See Tank Filling Issues).

Ensure Cold Brew Lock is set to 5°F.

Ensure that Lime / Debris are not a factor. If all the above are okay, replace the Dump Valve.



Wilbur Curtis Co., Inc.

6913 Acco Street, Montebello CA 90640
Customer Service: 800.421.6150 | 323.837.2300
csrassistance@wilburcurtis.com
Tech Support: 800.995.0417
www.wilburcurtis.com