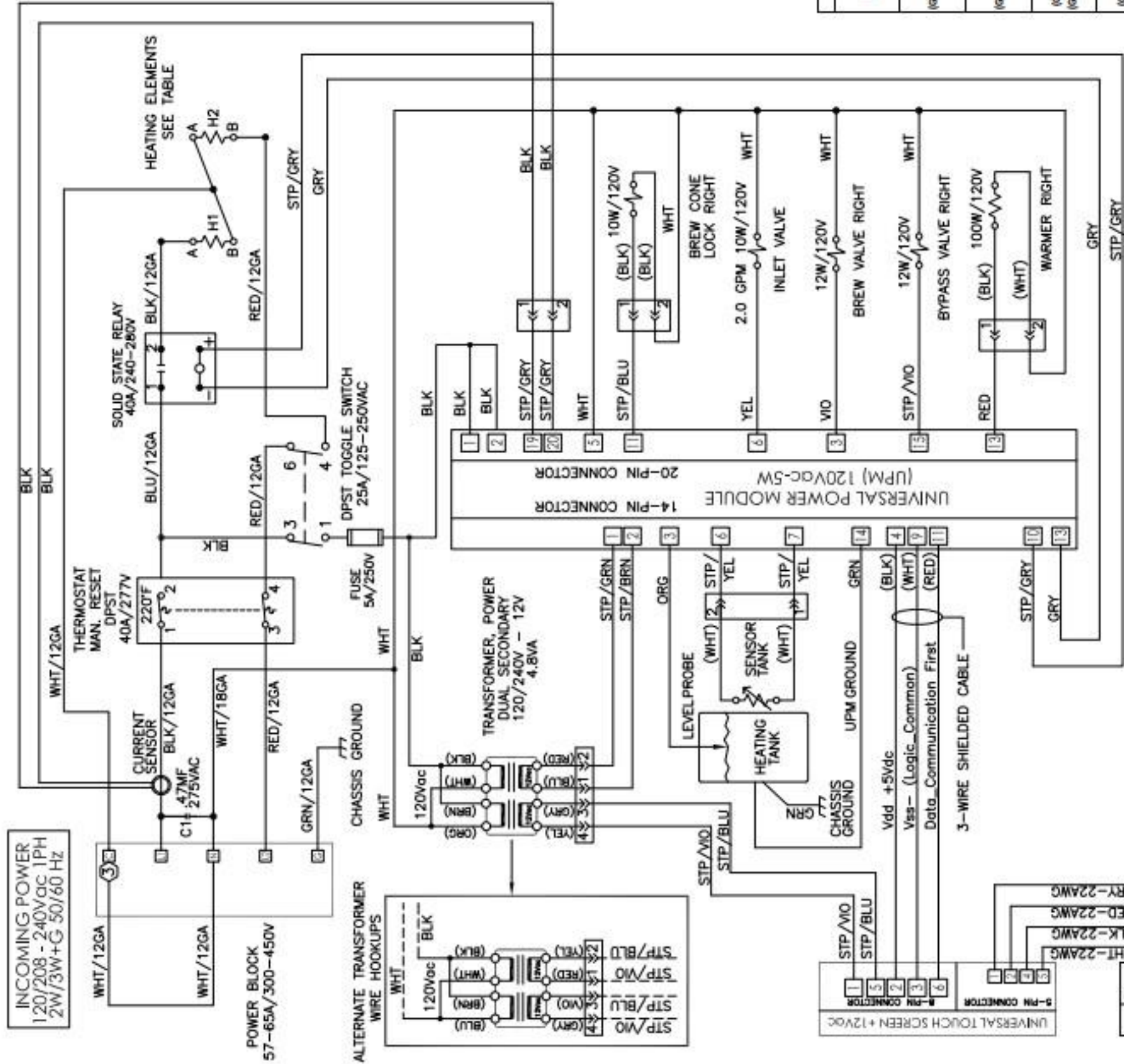
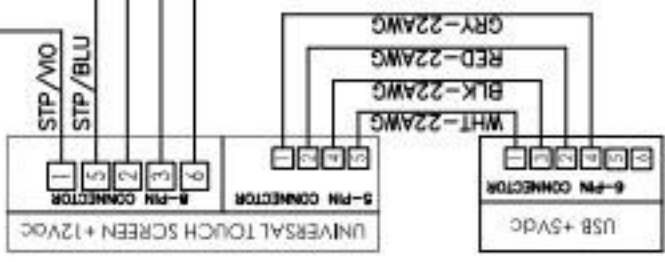
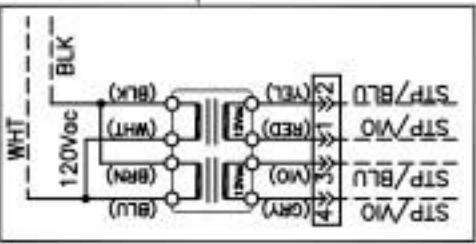


**INCOMING POWER**  
 120/208 - 240V<sub>ac</sub> 1PH  
 2W/3W+G 50/60 Hz



**POWER BLOCK**  
 57-65A/300-450V

**ALTERNATE TRANSFORMER WIRE HOOKUPS**



**SSR PIN ASSIGNMENTS**



|        |        |        |        |        |        |
|--------|--------|--------|--------|--------|--------|
| (G-4)G | (G-4)G | (G-4)G | (G-4)G | (G-4)G | (G-4)G |
|--------|--------|--------|--------|--------|--------|



