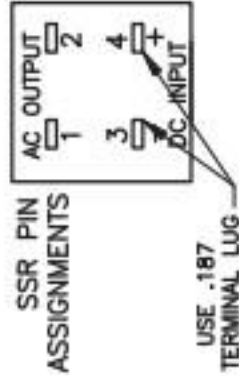
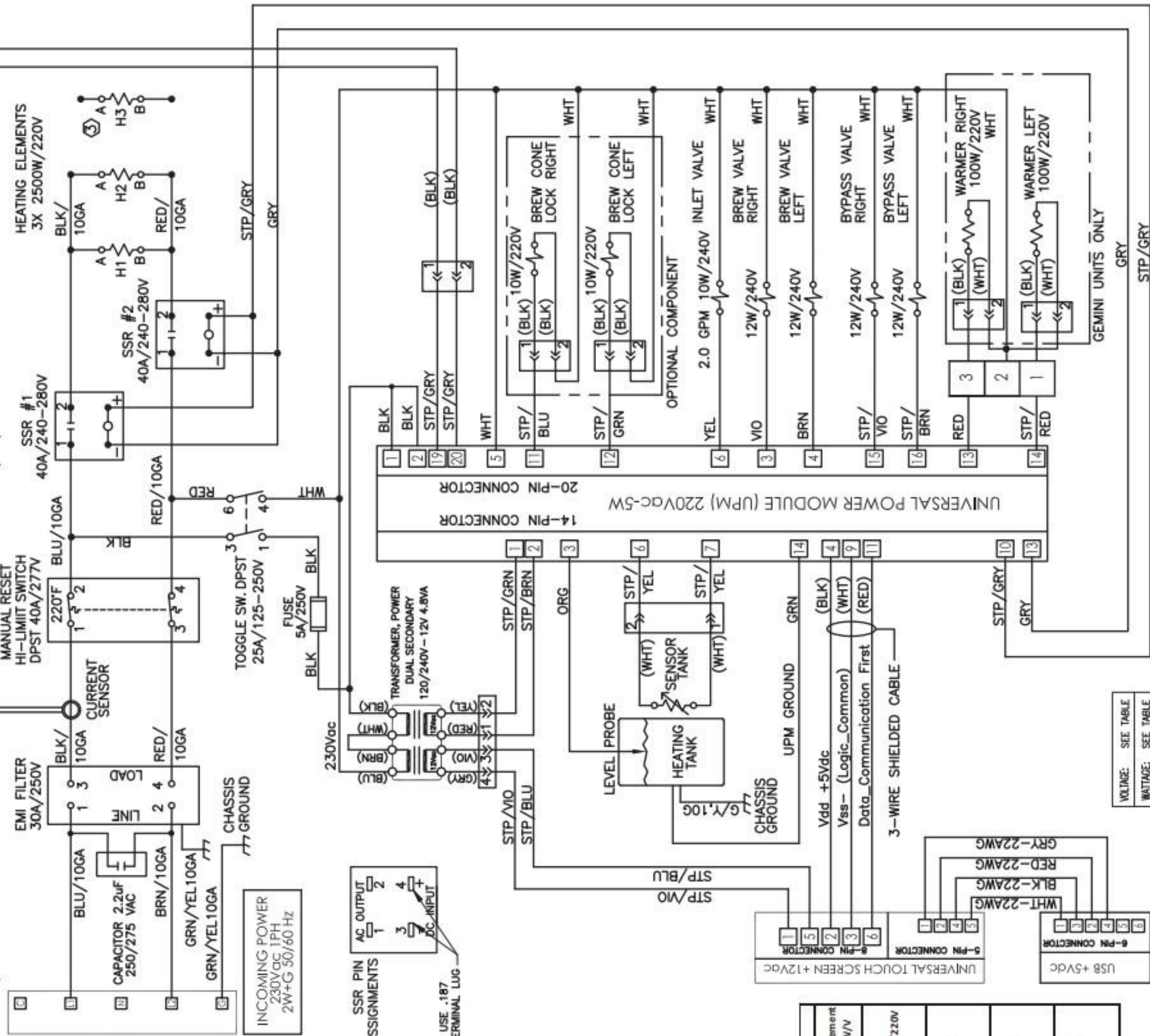


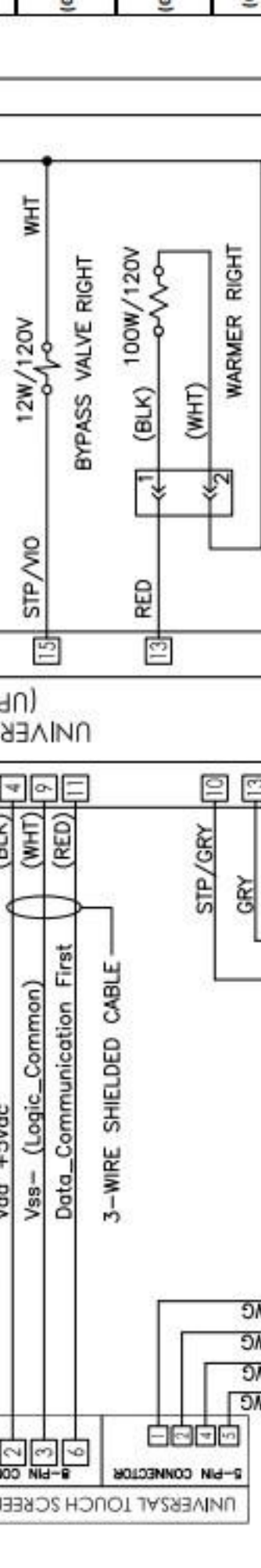
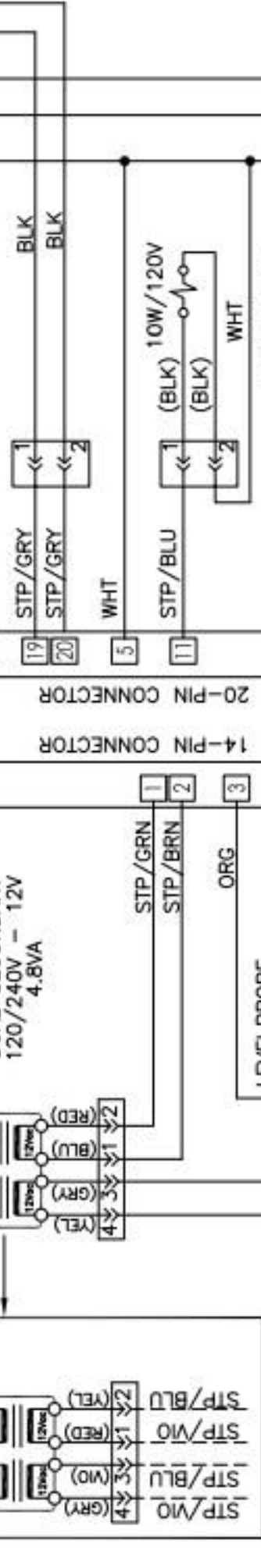
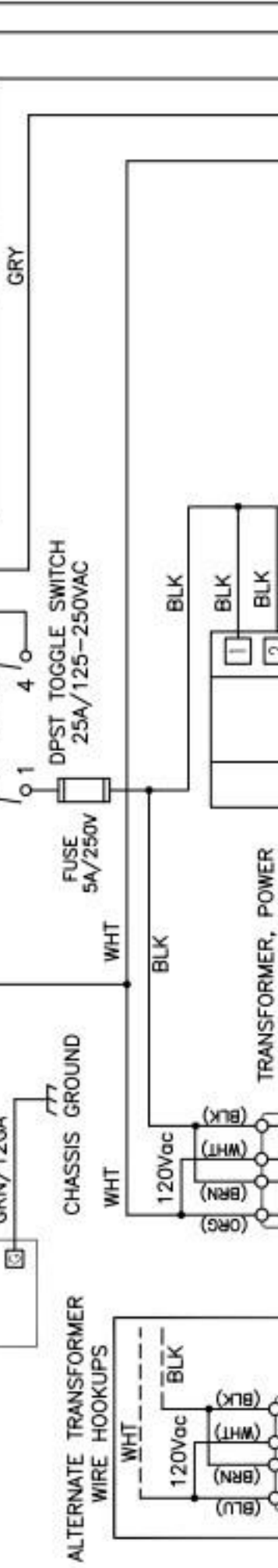
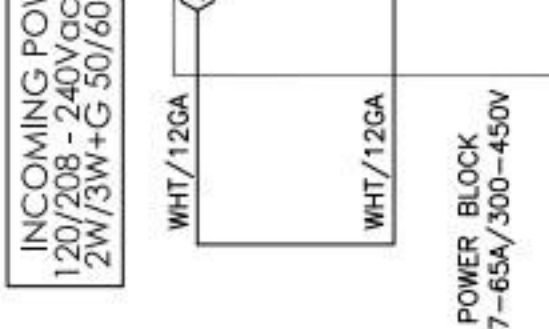
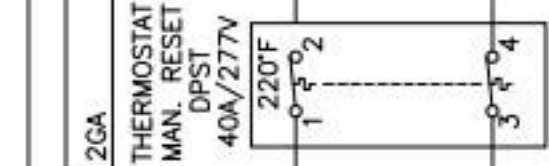
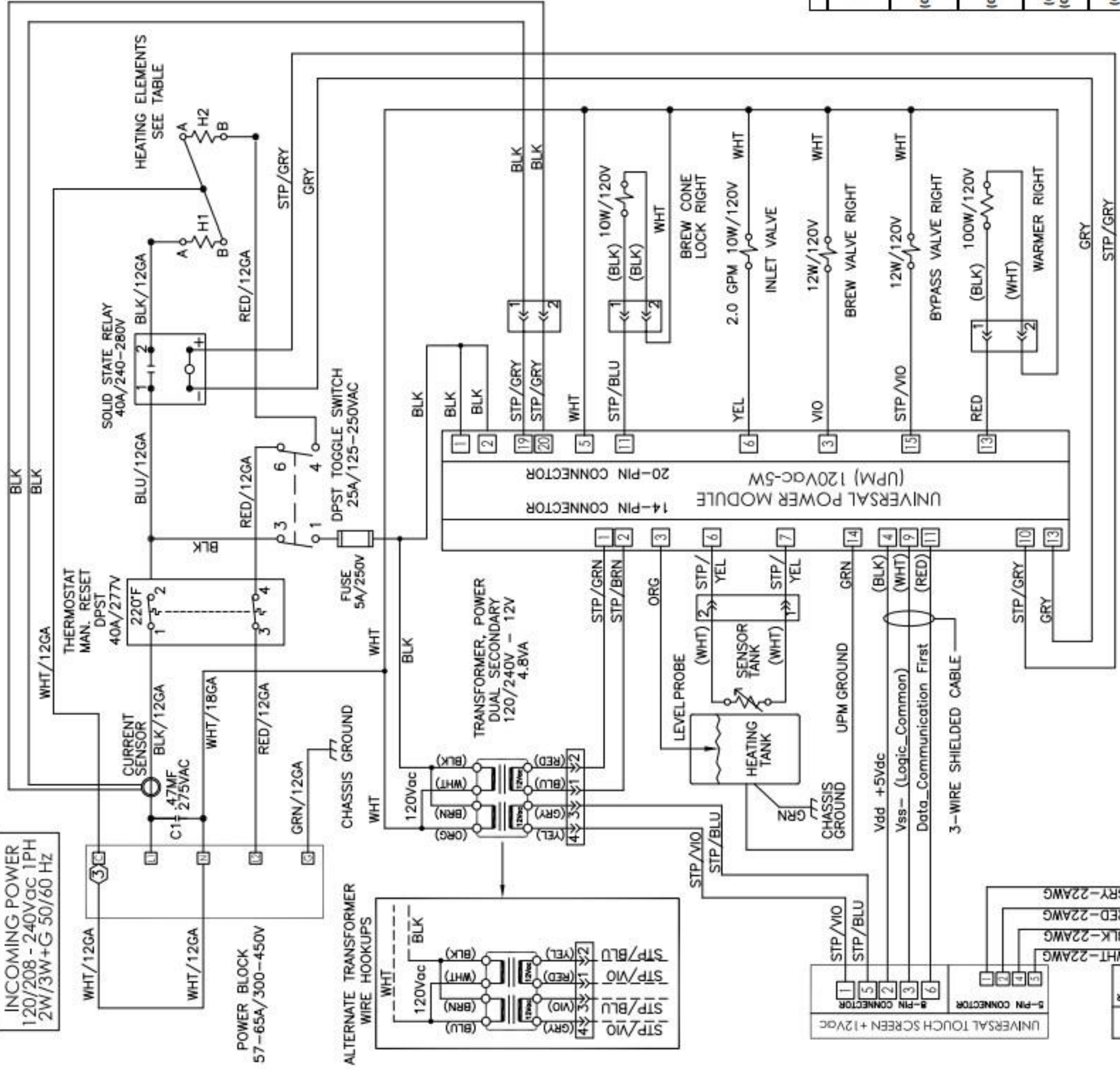
POWER BLOCK
57-65A/300-450V



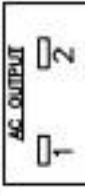
VOLTAGE:	SEE TABLE
WATTAGE:	SEE TABLE
AMPERAGE:	SEE TABLE

1	2	3	4	5	6
10W/220V					

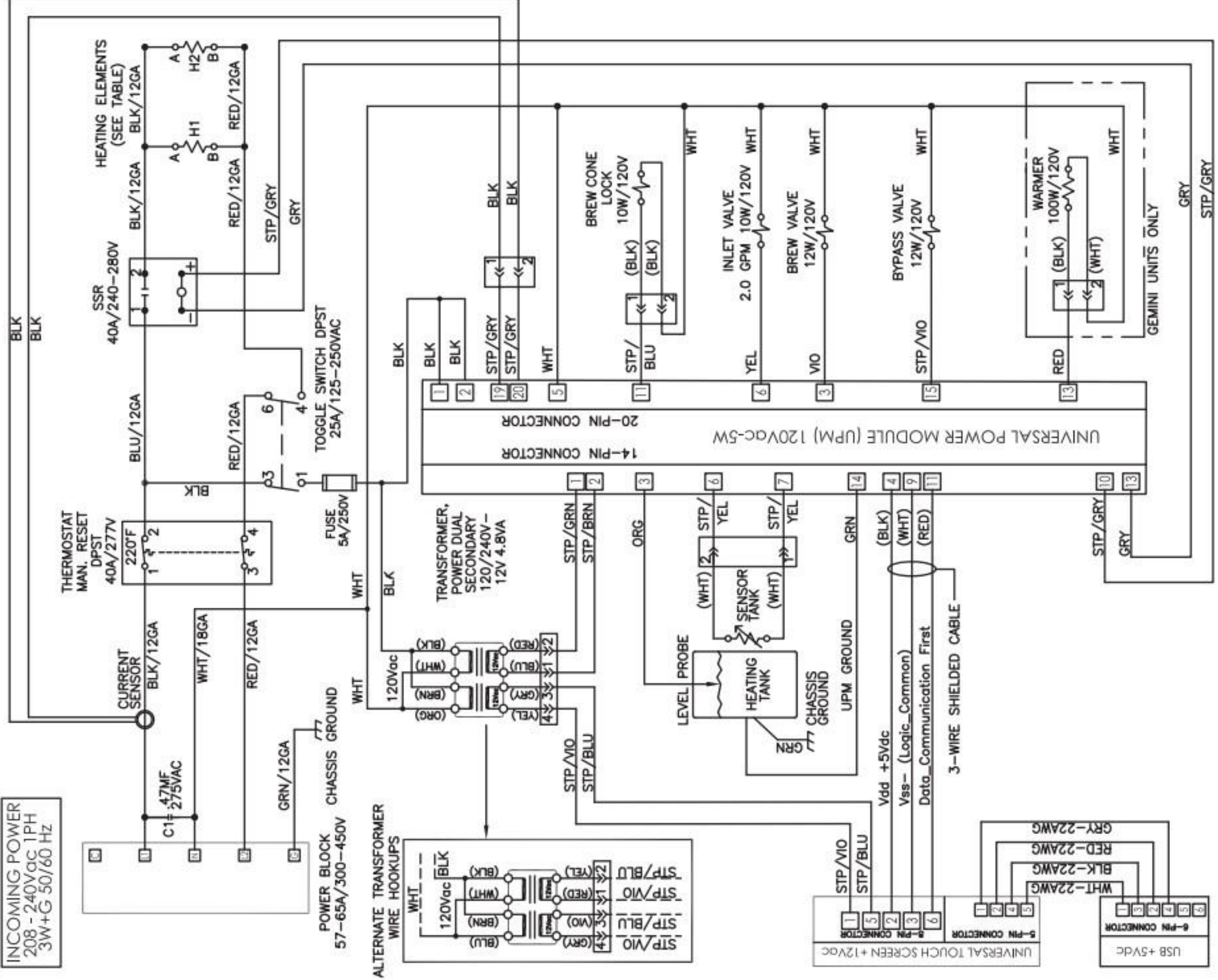
INCOMING POWER
 120/208 - 240Vac 1PH
 2W/3W+G 50/60 Hz



SSR PIN ASSIGNMENTS



INCOMING POWER
 208 - 240V_{ac} 1PH
 3W+G 50/60 HZ



GEMINI UNITS ONLY

GRY
 STP/GRY