

INCOMING POWER
120V 1PH
2W+G 50/60HZ

CORD, 14/3 SJTO
6' BLK W PLUG

GRN 14 GRN

WHT 14 NEUTRAL

LINE 1 BLK 14

TOGGLE SW. SPST
15/6A 125/250VAC

HI LIMIT 220°F
THERMOSTAT

HEATING ELEMENT
1.6KW/120V

WARMER 100W/120V

DUMP VALVE 9W/120V

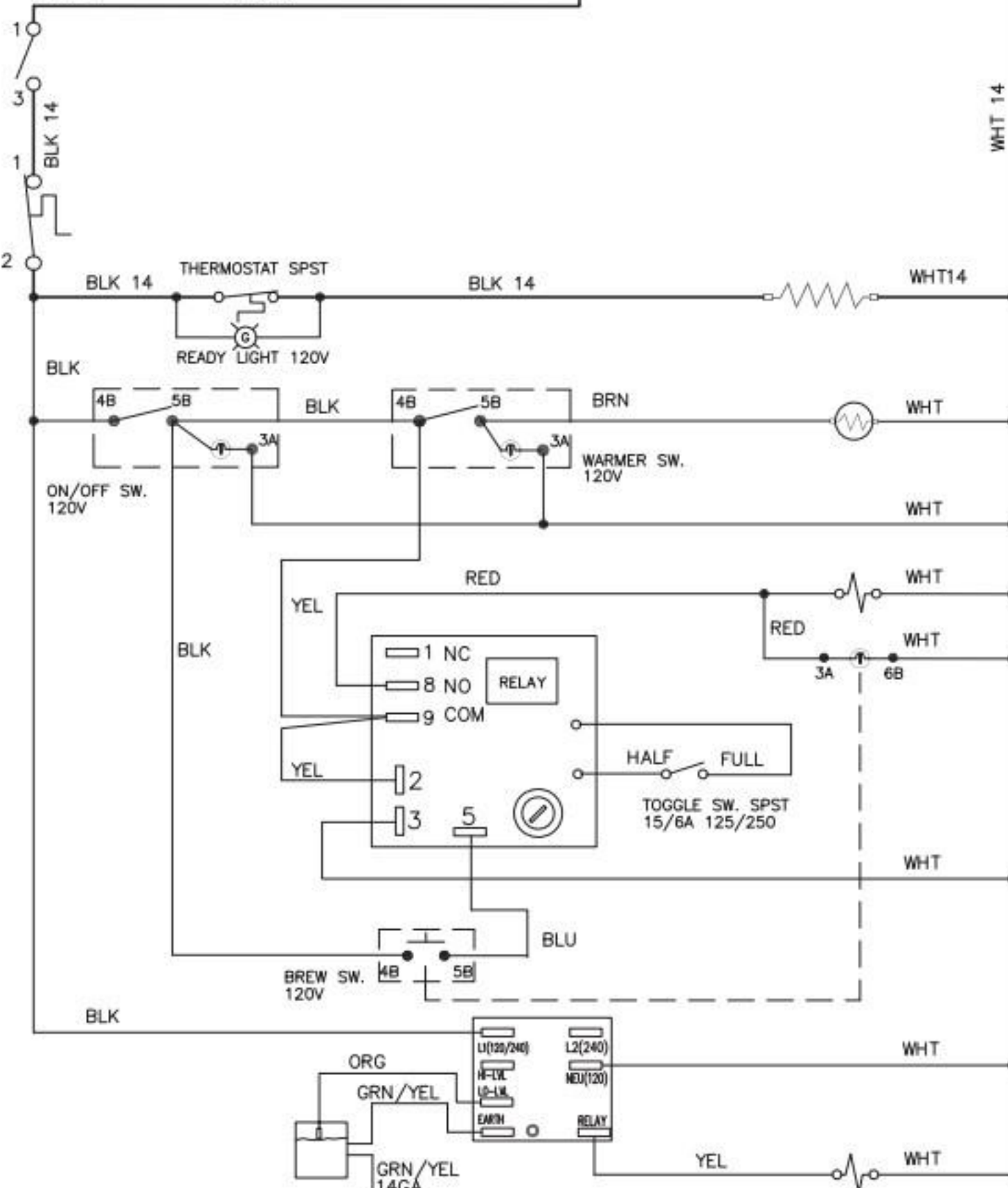
BREW SW. LIGHT 120V

BREW TIMER
2-20Min. 120V

BREW SW.

LIQ. LEVEL.
120/240V

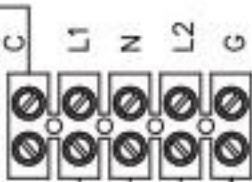
INLET VALVE
10W/120V
1 GPM



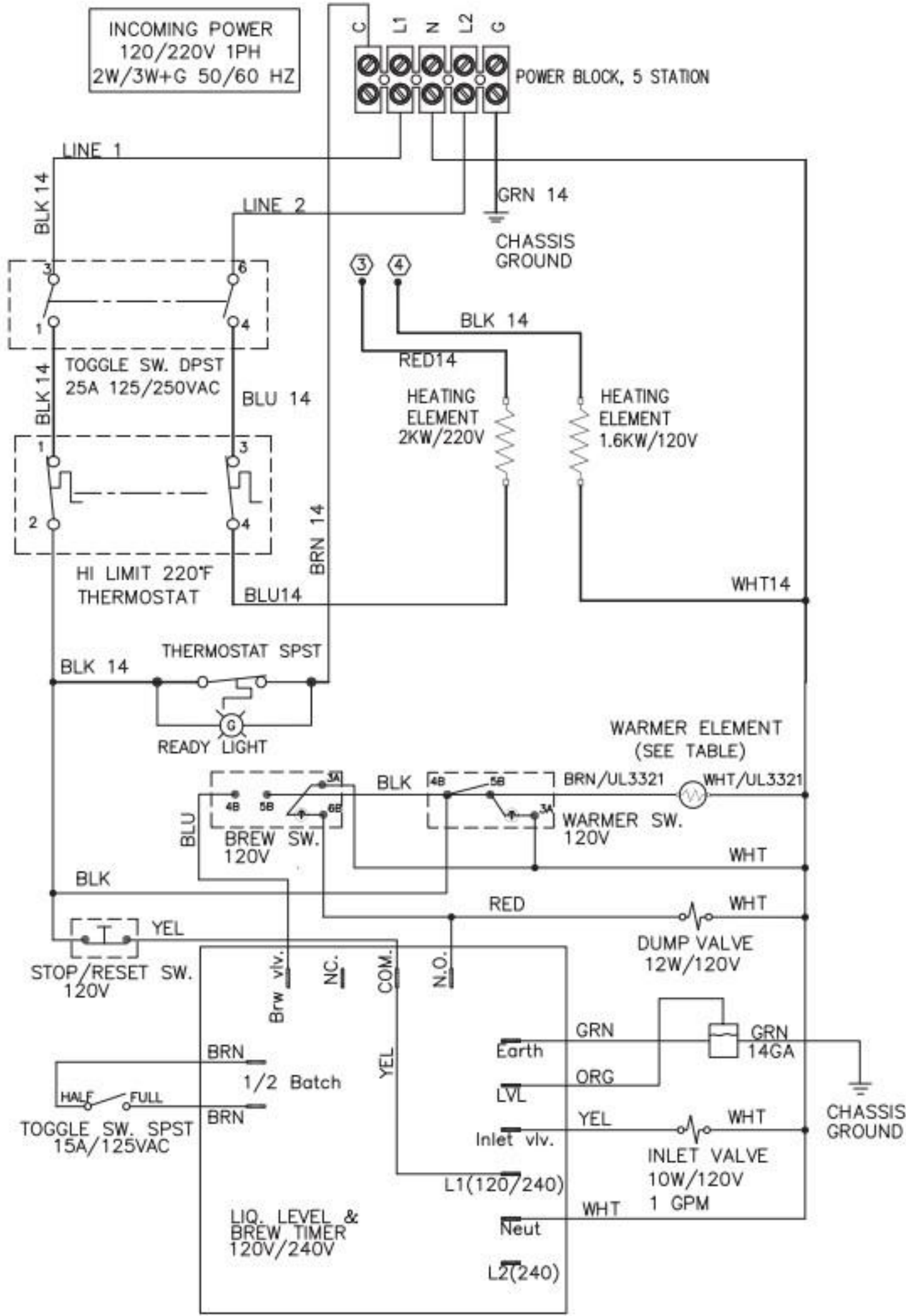
ELECTRICAL RATING TABLE

MODEL	Voltage	Amps	Watts	Hertz	# of Conductor	Phase	# of Tank	Tank Element Rating
	120/240							
	120							
	120							
	120							

INCOMING POWER
120/220V 1PH
2W/3W+G 50/60 HZ

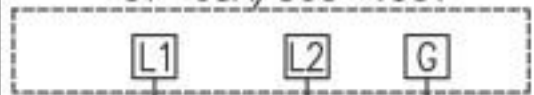


POWER BLOCK, 5 STATION



INCOMING POWER
230Vac 1PH
2W+G 50/60 Hz

POWER BLOCK
57-65A/300-450V



TOGGLE SW. DPST
25A/125-250V

THERMOSTAT
MAN. RESET
220°F
40A/277V

COMMON STUD
CHASSIS GROUND

THERMOSTAT SPST
25A/250V

HEATING ELEMENT
(SEE TABLE)

.33W/220V
BREW LIGHT

WARMER SW. RED
16A/250V

WARMER
(SEE TABLE)

ON/OFF SW. RED
16A/250V

DUMP VALVE
9W/240V

BREW TIMER
10A/230V 2-20MIN.
RELAY

15A-6A/125V-250V
TOGGLE SW. SPST

BREW SWITCH LIGHT
GREEN
3A 6B

16A/250V
BREW SWITCH GREEN

LIQUID LEVEL CONTROL BOARD
1A/120-240V

INLET VALVE
1GPM 10W/240V

PROBE

ORG

GRN GROUND

GRN/YEL 14

COMMON STUD
CHASSIS GROUND

BLK

BLU

BLU

BLU

BLU

BLU