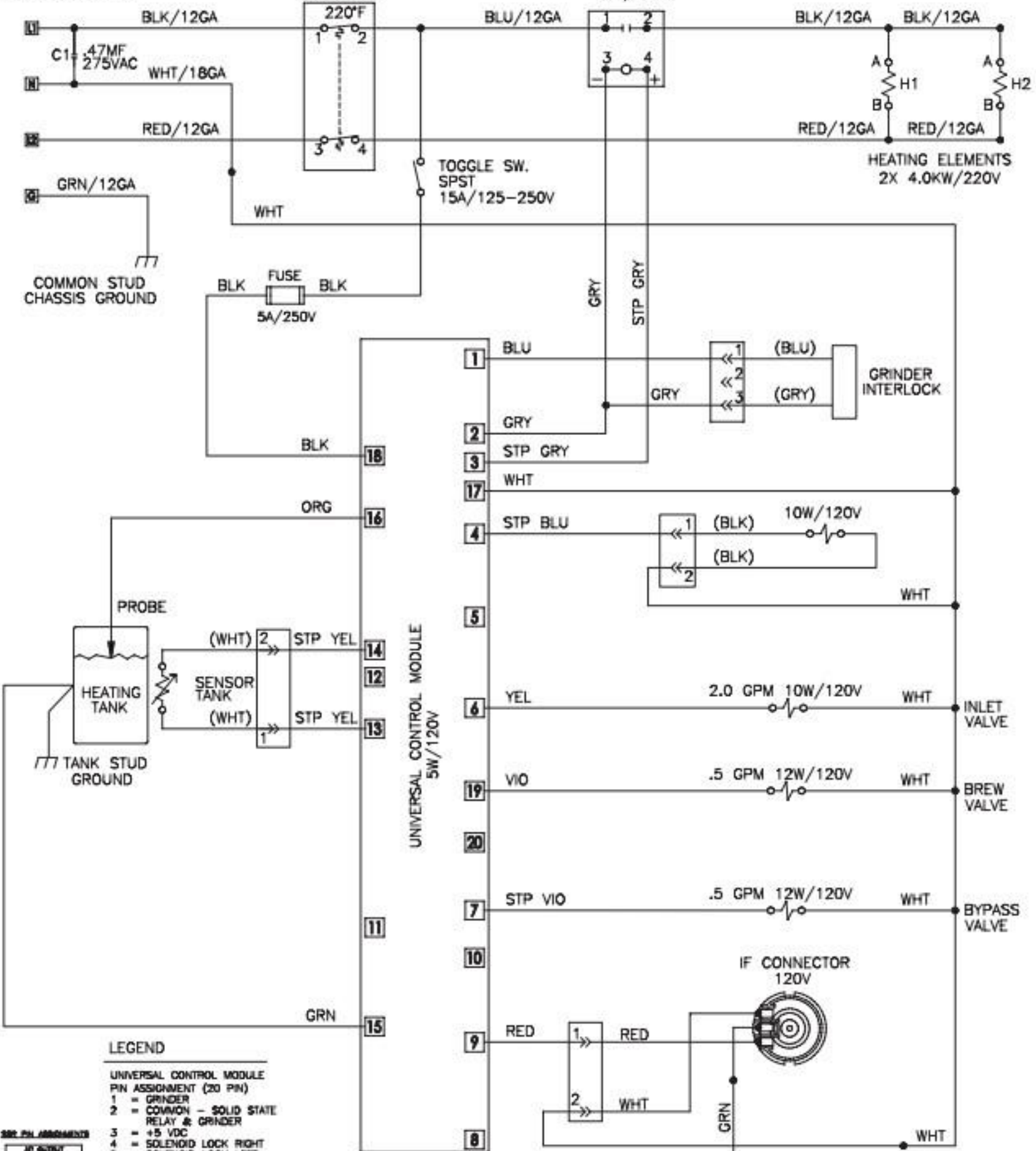


POWER BLOCK
57-65A/300-450V

THERMOSTAT
MAN. RESET
DPST
40A/277V

SSR
40A/600V

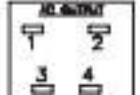


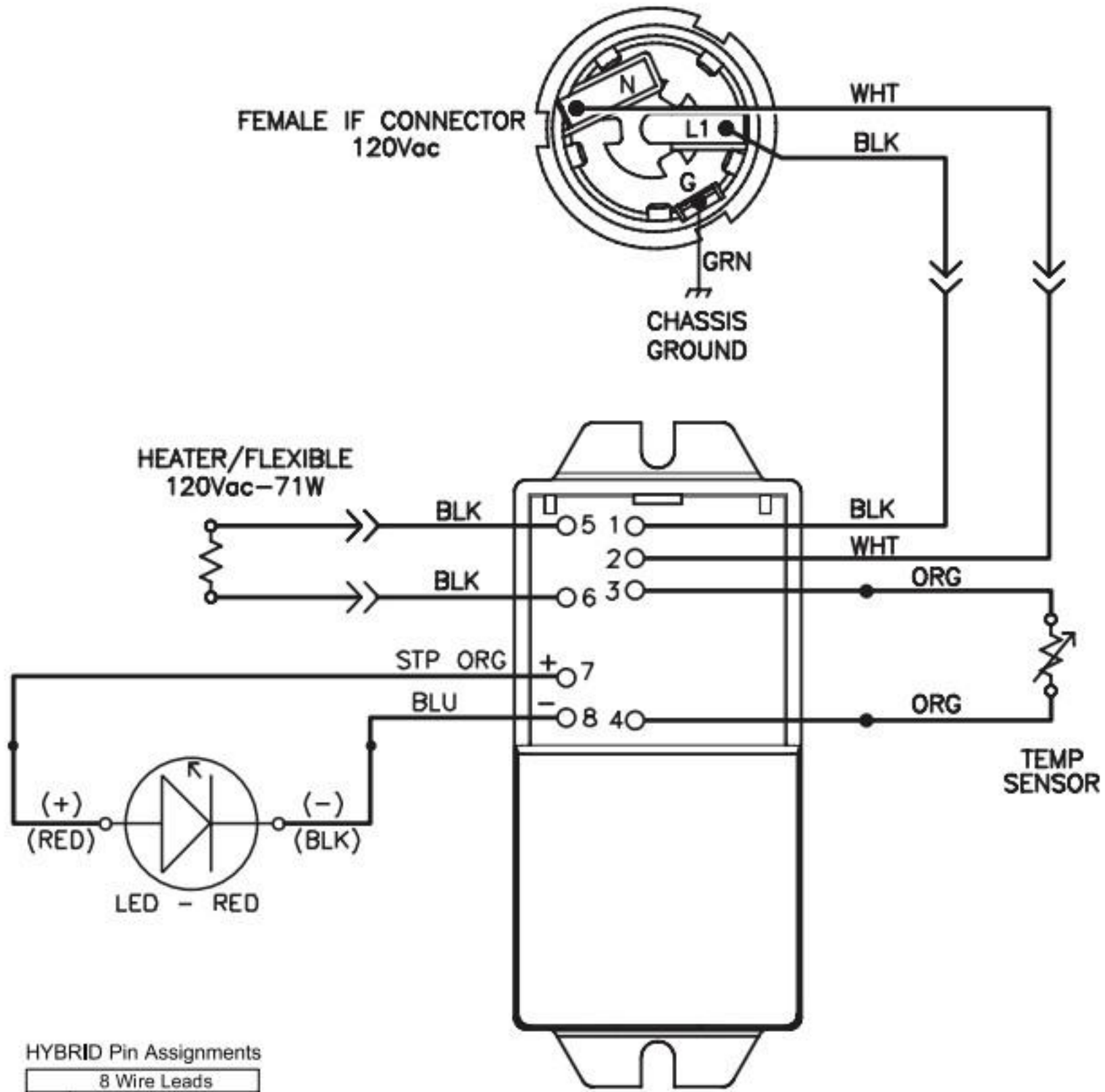
LEGEND

UNIVERSAL CONTROL MODULE

- PIN ASSIGNMENT (20 PIN)
- 1 = GRINDER
 - 2 = COMMON - SOLID STATE RELAY & GRINDER
 - 3 = +5 VDC
 - 4 = SOLENOID LOCK RIGHT
 - 5 = SOLENOID LOCK LEFT
 - 6 = INLET VALVE
 - 7 = BYPASS VALVE RIGHT
 - 8 = NOT USED
 - 9 = WARNER RIGHT

SSR PIN ASSIGNMENTS





FEMALE IF CONNECTOR
120Vac

WHT
BLK

GRN
CHASSIS
GROUND

HEATER/FLEXIBLE
120Vac-71W

BLK
BLK

BLK
WHT

ORG

STP ORG

BLU

ORG

TEMP
SENSOR

(+)
(RED)
(-)
(BLK)

LED - RED

HYBRID Pin Assignments

8 Wire Leads	
1	120Vac In
2	120Vac In
3	Temperature Sensor
4	Temperature Sensor

HYBRID TEMPERATURE
CONTROLLER - 120Vac